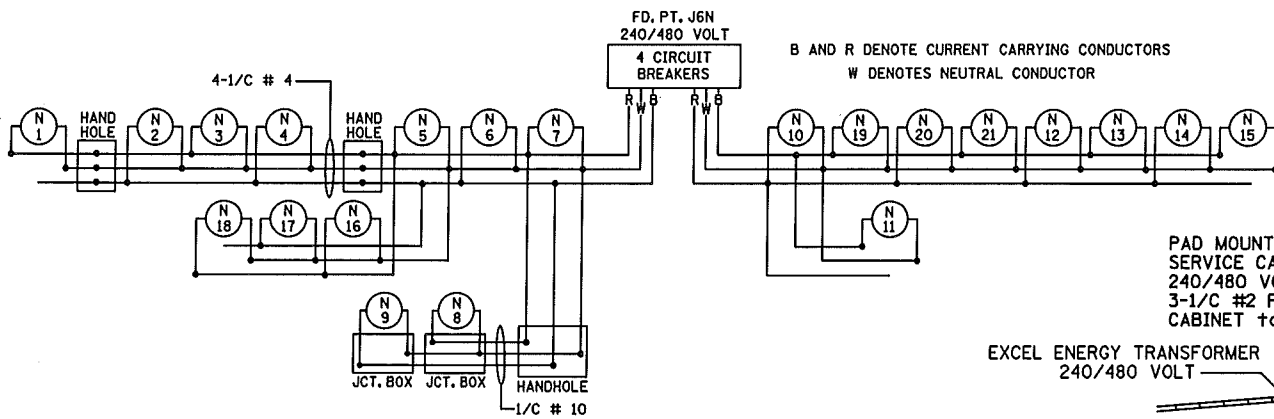


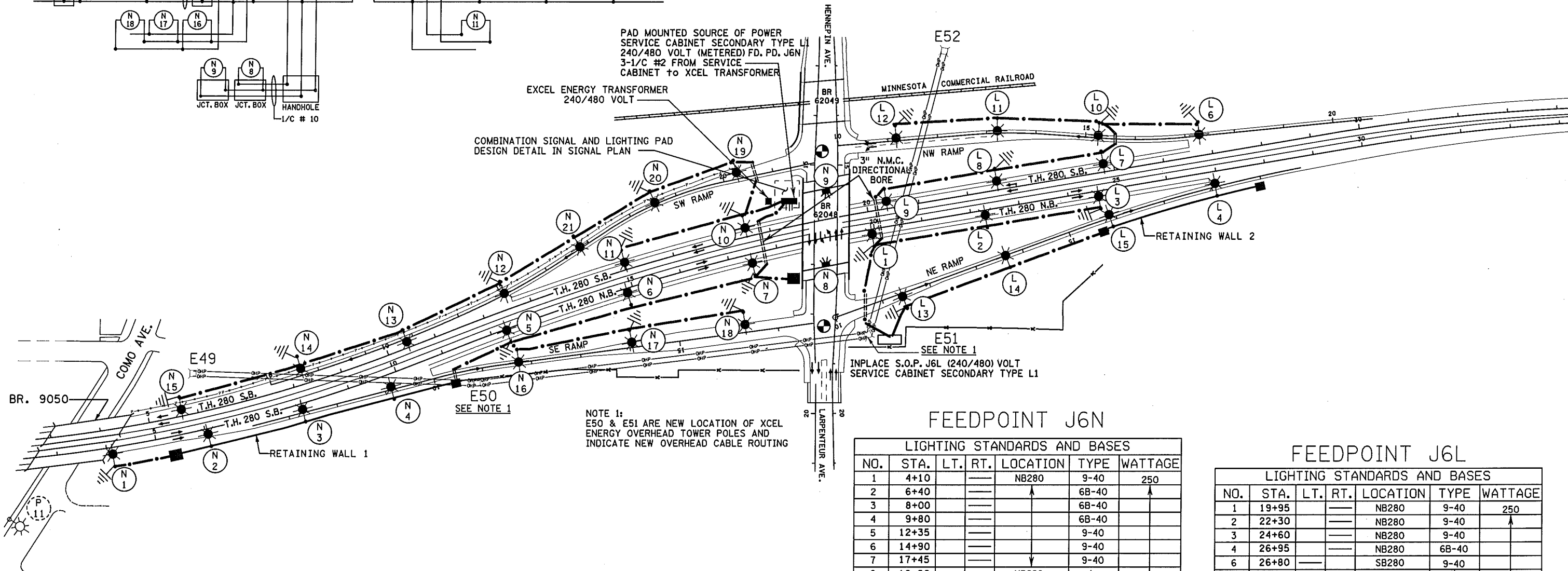
SEE LEGEND SHEET NO. 332



PAD MOUNTED SOURCE OF POWER SERVICE CABINET SECONDARY TYPE L1 240/480 VOLT (METERED) FD. PD. J6N 3-1/C #2 FROM SERVICE CABINET to XCEL TRANSFORMER

EXCEL ENERGY TRANSFORMER 240/480 VOLT

COMBINATION SIGNAL AND LIGHTING PAD DESIGN DETAIL IN SIGNAL PLAN



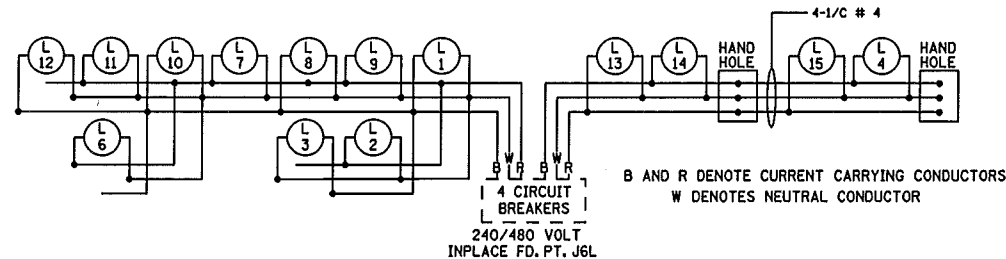
NOTE 1:
E50 & E51 ARE NEW LOCATION OF XCEL ENERGY OVERHEAD TOWER POLES AND INDICATE NEW OVERHEAD CABLE ROUTING

FEEDPOINT J6N

LIGHTING STANDARDS AND BASES						
NO.	STA.	LT.	RT.	LOCATION	TYPE	WATTAGE
1	4+10			NB280	9-40	250
2	6+40				6B-40	
3	8+00				6B-40	
4	9+80				9-40	
5	12+35				9-40	
6	14+90				9-40	
7	17+45				9-40	
8	18+90			NB280	L	
9	19+25			SB280	L	
10	17+50				9-40	
11	15+05					
12	12+55					
13	10+45					
14	8+25					
15	5+70			SB280		
16	11+75			SERAMP		
17	14+05			SERAMP		
18	16+65			SERAMP		
19	20+30			SWRAMP		
20	18+55			SWRAMP		
21	16+80			SWRAMP	9-40	250

FEEDPOINT J6L

LIGHTING STANDARDS AND BASES						
NO.	STA.	LT.	RT.	LOCATION	TYPE	WATTAGE
1	19+95			NB280	9-40	250
2	22+30			NB280	9-40	
3	24+60			NB280	9-40	
4	26+95			NB280	6B-40	
6	26+80			SB280	9-40	
7	24+80			SB280		
8	22+60			SB280		
9	20+40			SB280		
10	15+25			NWRAMP		
11	13+20			NWRAMP		
12	11+15			NWRAMP		
13	11+40			NERAMP		
14	13+65			NERAMP	9-40	
15	15+90			NERAMP	6B-40	250



AS-BUILT 2/2012

FEEDPOINTS J6N, J6L

BY	DATE	REVISIONS	SYSTEM ID:	FEEDPOINT:	J6N, J6L	T.E.	LOCATION:	LARPELTEUR Ave.
EK	12/2010	REMOVE L5	METER ADDRESS:	J6N-2600 LARPELTEUR Ave.,	J6L-2621 LARPELTEUR Ave W.			
DRAWN BY: NS			CERTIFIED BY: <i>Michael P. Gubensky</i>			LIC. NO. 19863	DATE: 12-22-2008	STATE PROJ. NO. 6241-51 (T.H.280)
CKD BY: GB			DATE:					SHEET NO. 333 OF 503 SHEETS

LIGHTING PLAN

PLOTTED/REVISED: 3/1/2012

DISTRICT #: METRO
PLOT NAME: 16241-51_011TAB
PATH & FILENAME: IP_PWP-d0913020N6241-51_011TAB.dgn