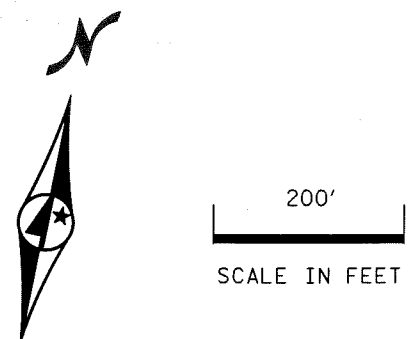
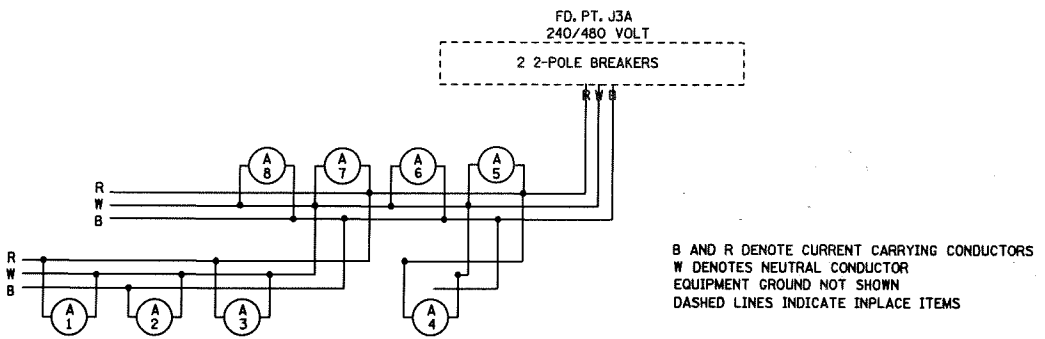


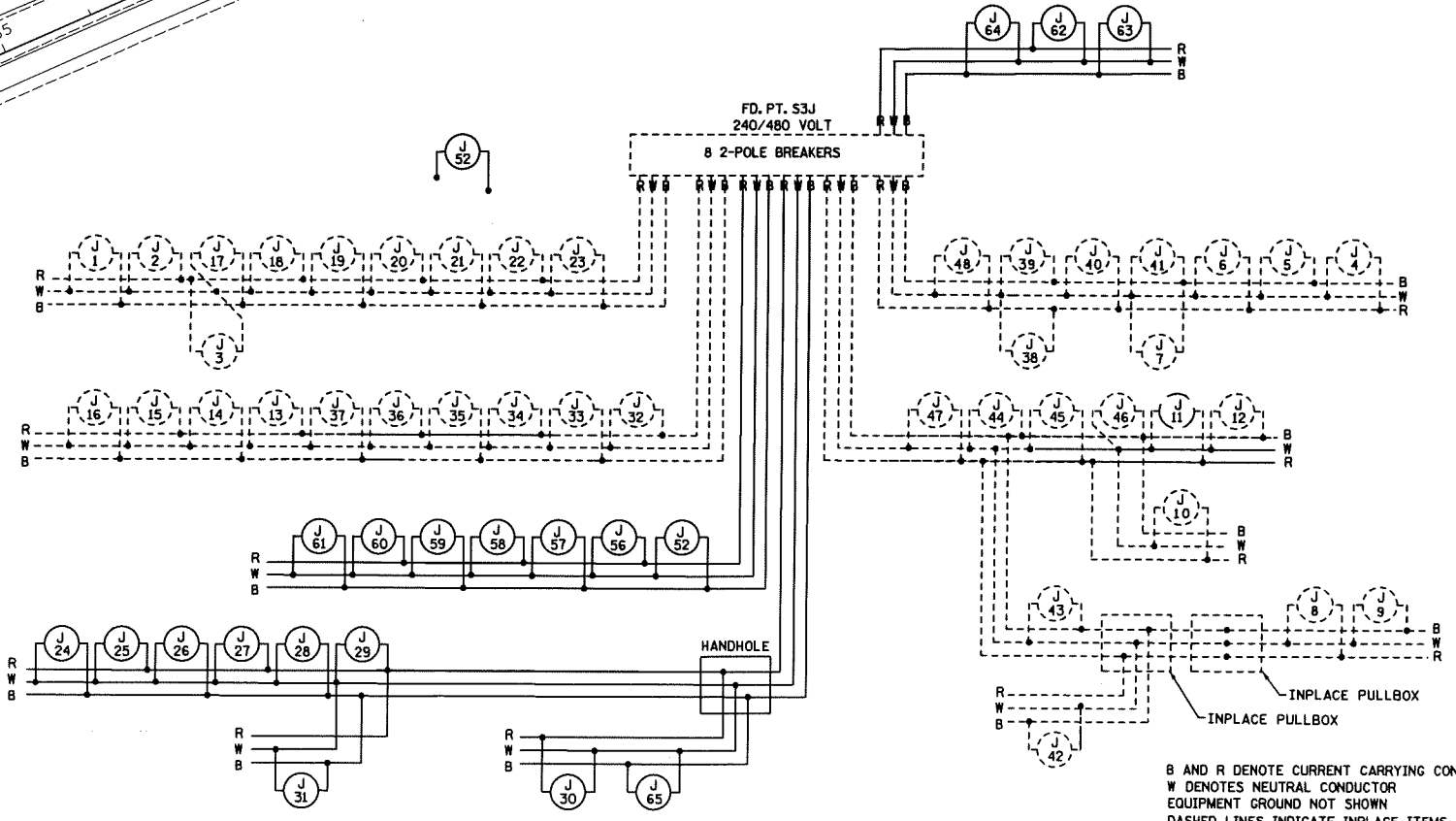
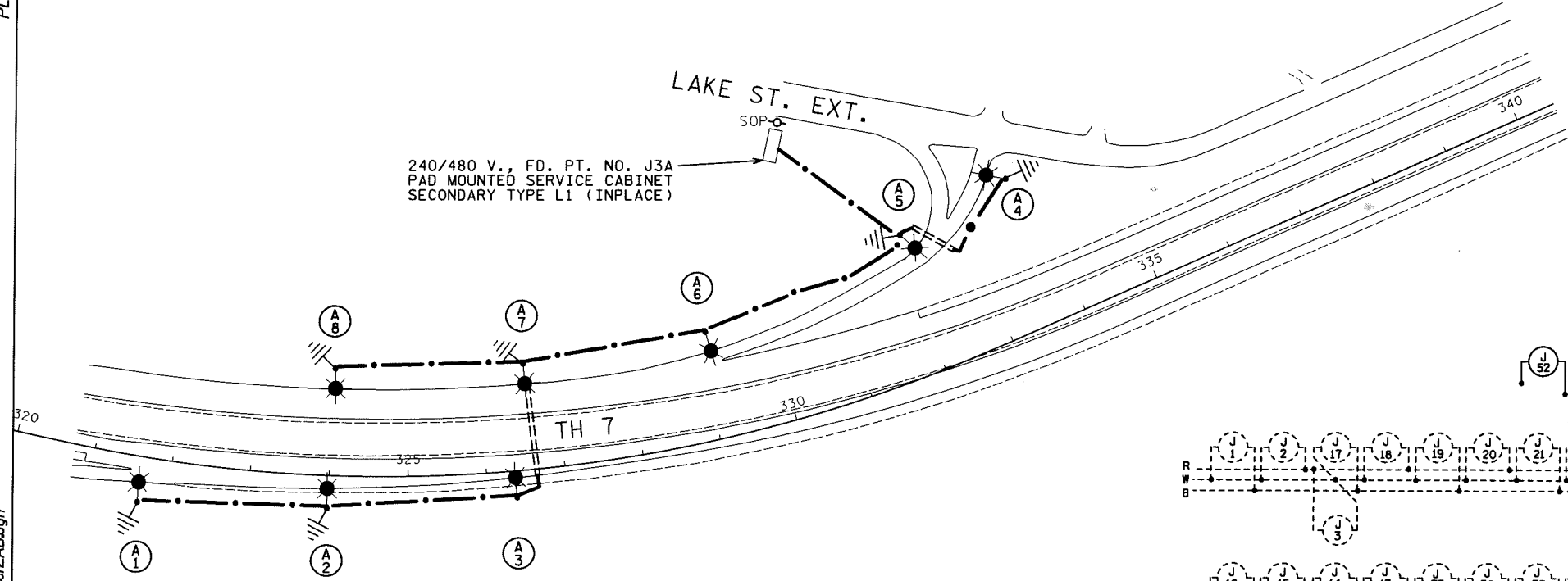
PLOTTED/REVISED: 12/7/2011

DISTRICT #: METRO  
 IPLOT NAME: T2706-217\_L1sheet2AB  
 PATH & FILENAME: IP\_PWP\dl368859T2706-217\_L1sheet2AB.dgn



**LEGEND**

- HIGH PRESSURE SODIUM LIGHTING UNIT
- INPLACE CABINET
- 3" NON-METALLIC CONDUIT (DIRECTIONAL BORE) UNLESS NOTED OTHERWISE
- ARMORED CABLE 4 COND NO. 4
- GROUND ROD (25 OHMS OR LESS)



**FEEDPOINT J3A  
LIGHTING STANDARDS AND BASES**

NO.	STATION	LT.	RT.	NORTHING (Y)	EASTING (X)	LOCATION	TYPE	WATT
1	321 + 64		X	149201	485387	E.B. T.H. 7	9-40	250
2	323 + 99		X	149242	485624	E.B. T.H. 7	9-40	250
3	326 + 36		X	149303	485855	E.B. T.H. 7	9-40	250
4	333 + 65	X		149869	486310	W.B. T.H. 7	9-40	250
5	332 + 09	X		149690	486293	W.B. T.H. 7	9-40	250
6	329 + 11	X		149510	486065	W.B. T.H. 7	9-40	250
7	326 + 58	X		149422	485842	W.B. T.H. 7	9-40	250
8	324 + 02	X		149367	485609	W.B. T.H. 7	9-40	250

THE HORIZONTAL CONTROL FOR THIS PLAN IS NAD83 (1996 ADJUSTMENT), HENNEPIN COUNTY COORDINATES. FOR INFORMATION ON HORIZONTAL CONTROL POINTS CONTACT MN/DOT'S OFFICE OF LAND MANAGEMENT OR THE METRO DISTRICT SURVEYS OFFICE.

SEE DETAIL ON SHEET NO. 3 FOR LIGHT POLE PLACEMENT.  
 COORDINATES INDICATE LIGHT LOCATION AT THE EDGE OF PAVEMENT.

AS-BUILT 12/2011  
 FEEDPOINT: J3A

BY	DATE	REVISIONS	FEEDPOINT: J3A	LOCATION: T.H. 7 AT LAKE STREET EXT.	<b>LIGHTING PLAN</b>
DK	12/2011	MOVE A4 AND RE-FEED J64 - J61 FROM J62	METER ADDRESS: 12202 HWY 7 MINNETONKA 55305		
DRAWN BY: MK    CKD BY: GB    DATE:			CERTIFIED BY: <i>Michael P. Gibinsky</i> LIC. NO. 19863    DATE: 12/7/2011		STATE PROJ. NO. 2706-217 (T.H. 7)    SHEET NO. 8 OF 8 SHEETS