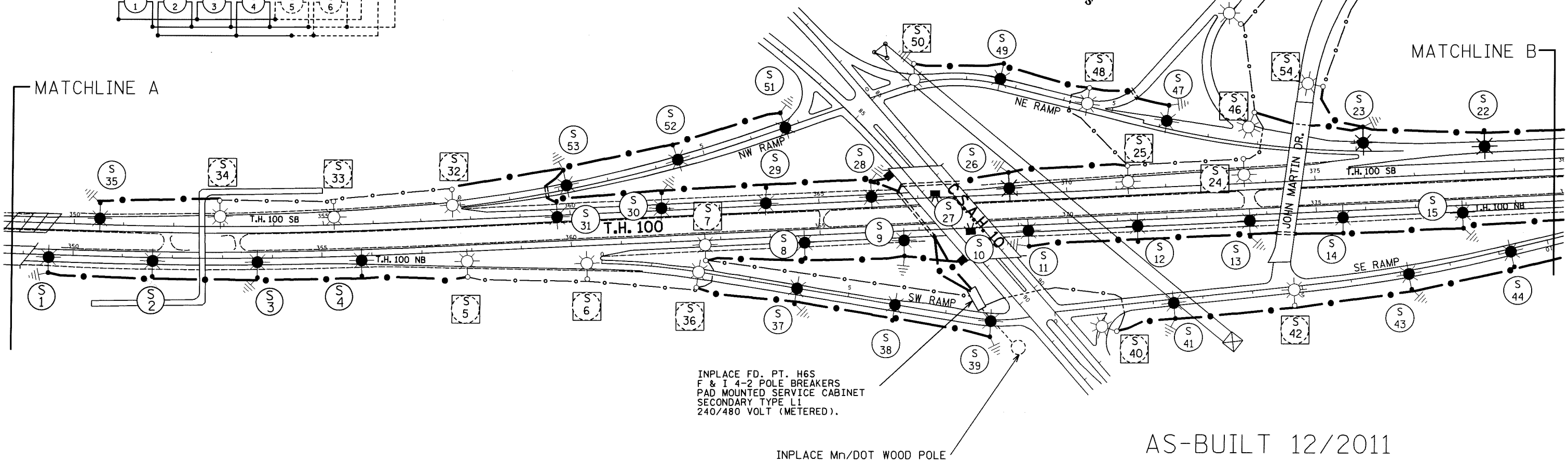
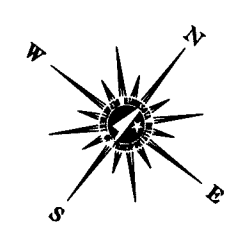
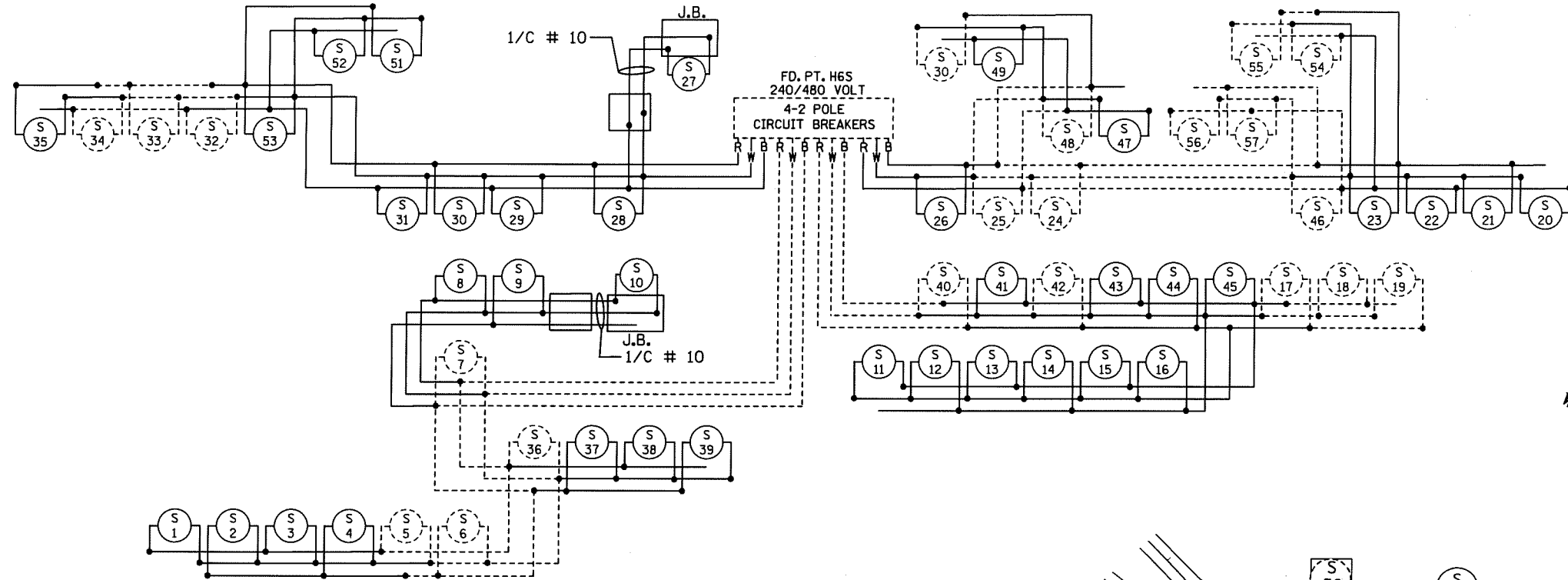


SEE LEGEND SHEET 8

100
SCALE IN FEET

DASHED LINES DENOTE INPLACE ITEMS
W DENOTES NEUTRAL CONDUCTOR
B AND R DENOTE CURRENT CARRYING CONDUCTORS



INPLACE FD. PT. H65
F & I 4-2 POLE BREAKERS
PAD MOUNTED SERVICE CABINET
SECONDARY TYPE LI
240/480 VOLT (METERED).

INPLACE Mn/DOT WOOD POLE

AS-BUILT 12/2011

FEED POINT H65

PLOTTED/REVISED: 12/1/2011

DISTRICT: METRO
PLOT NAME: 12755-83AB
PATH & FILENAME: IP_PWP-d1321602V2755-83AB.dgn

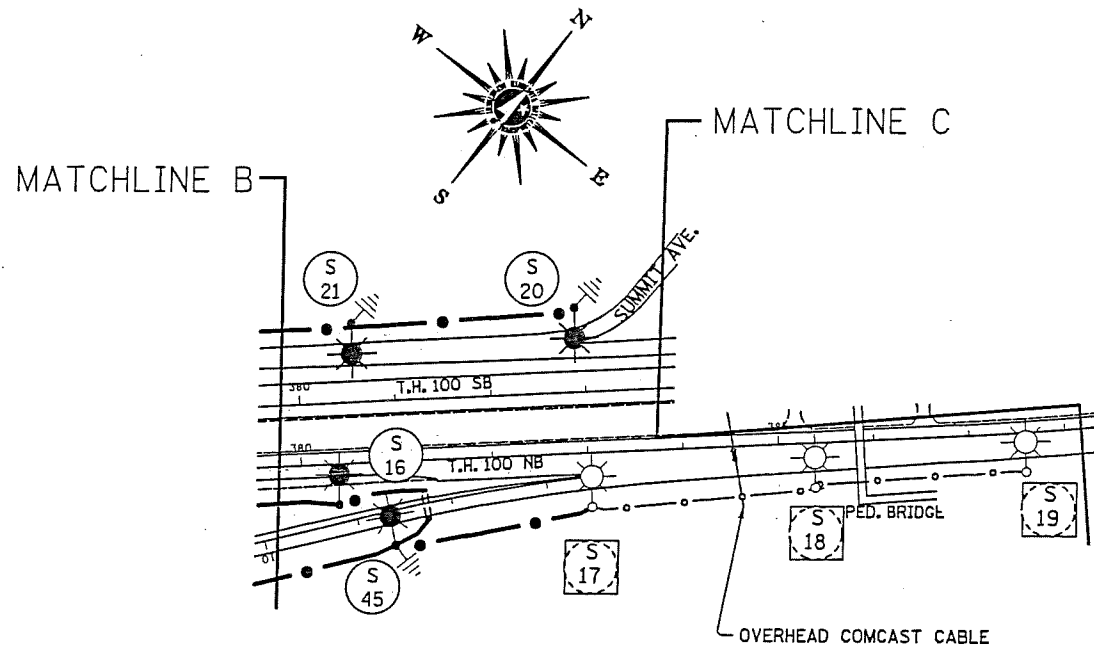
BY	DATE	REVISIONS	FEEDPOINT: H65	LOCATION: T.H. 100 AT 57th. Ave.	LIGHTING PLAN
EK	12/2011	RE-FEED HAND HOLE AND S28	METER ADDRESS: 2133 57th Ave N. BROOKLYN CENTER 55430		
DRAWN BY: PB CKD BY: GB DATE:			CERTIFIED BY: <i>Michael P. Gilevsky</i>	LIC. NO. 19863 DATE: 12/1/2011	STATE PROJ. NO. 2755-83 (T.H. 100) SHEET NO. 10 OF 12 SHEETS

SEE LEGEND SHEET 8

100
SCALE IN FEET

PLOTTED/REVISED: 9/29/2010

DISTRICT: METRO
PLOT NAME: 12755-83/4
PATH & FILENAME: IP_PWP-d1321602V2755-83.dgn



FEEDPOINT H6S
LIGHTING STANDARDS AND BASES

NO.	STATION	LT.	RT.	LOCATION	TYPE	WATT
1	349 + 50		X	NB T.H. 100	9-40	250
2	353 + 60		X			
3	353 + 70		X			
4	355 + 80		X			
(1) 5	INPLACE		X			
(1) 6	INPLACE		X			
(1) 7	INPLACE		X			
8	364 + 70		X			
9	366 + 70		X		9-40	
10	368 + 00		X		L	
11	369 + 20		X		9-40	
12	371 + 40		X			
13	373 + 65		X			
14	369 + 40		X			
15	377 + 95		X			
16	380 + 40		X			
(1) 17	INPLACE		X			
(1) 18	INPLACE		X			
(1) 19	INPLACE		X	NB T.H. 100		250
20	382 + 90	X		SB T.H. 100	9-49	400
21	380 + 55	X			9-49	400
22	378 + 40	X			9-49	400
23	376 + 00	X			9-49	400
(1) 24	INPLACE	X			9-40	250
(1) 25	INPLACE	X			9-40	
26	368 + 85	X			9-40	
27	367 + 35	X			L	
28	366 + 05	X			9-40	
29	363 + 95	X			9-40	
30	361 + 85	X		SB T.H. 100	9-40	250

(1) RENUMBER POLES

FEEDPOINT H6S
LIGHTING STANDARDS AND BASES

NO.	STATION	LT.	RT.	LOCATION	TYPE	WATT
31	359 + 75	X		SB T.H. 100	9-40	250
(1) 32	INPLACE	X				
(1) 33	INPLACE	X				
(1) 34	INPLACE	X				
35	350 + 50	X		SB T.H. 100		
(1) 36	INPLACE		X	SW RAMP		
37	3 + 95	X				
38	5 + 95	X				
39	7 + 90	X		SW RAMP		
(1) 40	INPLACE	X		SE RAMP		
41	2 + 40	X				
(1) 42	INPLACE	X				
43	7 + 15	X				
44	9 + 25	X				
45	11 + 35	X		SE RAMP		
(1) 46	INPLACE	X		NE RAMP		
47	6 + 10	X				
(1) 48	INPLACE	X				
49	2 + 65	X				
(1) 50	INPLACE	X		NE RAMP		
51	6 + 70	X		NW RAMP		
52	4 + 45	X		NW RAMP		
53	2 + 15	X		NW RAMP		
(1) 54	INPLACE		X	JOHN MARTIN DR		
55	INPLACE		X	JOHN MARTIN DR		
56	INPLACE	X		RAMP B		
(1) 57	INPLACE	X		RAMP B	9-40	250

(1) RENUMBER POLES

FEED POINT H6S 5486

BY	DATE	REVISIONS	FEEDPOINT: H6S	LOCATION: T.H. 100 AT 57th Ave.	METER ADDRESS: 2133 57th AVE N. BROOKLYN CENTER 55430	LIGHTING PLAN	
DRAWN BY: PB	CKD BY: GB	DATE:	CERTIFIED BY: <i>Michael P. Libinsky</i>	LIC. NO. 19863	DATE: 9/29/2010	STATE PROJ. NO. 2755-83 (T.H. 100) SHEET NO. 11 OF 12 SHEETS	