

FD. PT. H5N

LIGHTING STANDARDS AND BASES					
NO.	STATION	LT.	RT.	LOCATION	TYPE
1	34+310	--	--	T.H. 100 S.B.L.	4-12
2	34+240	--	--	T.H. 100 S.B.L.	4-12
3	34+170	--	--	T.H. 100 S.B.L.	4-12
4	34+100	--	--	T.H. 100 S.B.L.	4-12
5	34+035	--	--	T.H. 100 S.B.L.	4-12
6	33+965	--	--	T.H. 100 S.B.L.	4-12
7	33+900	--	--	T.H. 100 S.B.L.	4-12
8	33+835	--	--	T.H. 100 S.B.L.	4-12
(1) 9	AS SHOWN	--	--	T.H. 100 N.B.L.	1
(1) 10	AS SHOWN	--	--	T.H. 100 S.B.L.	1
11	33+753	--	--	T.H. 100 S.B.L.	4-12
12	33+683	--	--	T.H. 100 S.B.L.	4-12
13	33+617	--	--	T.H. 100 S.B.L.	4-12
14	33+547	--	--	T.H. 100 S.B.L.	4-12

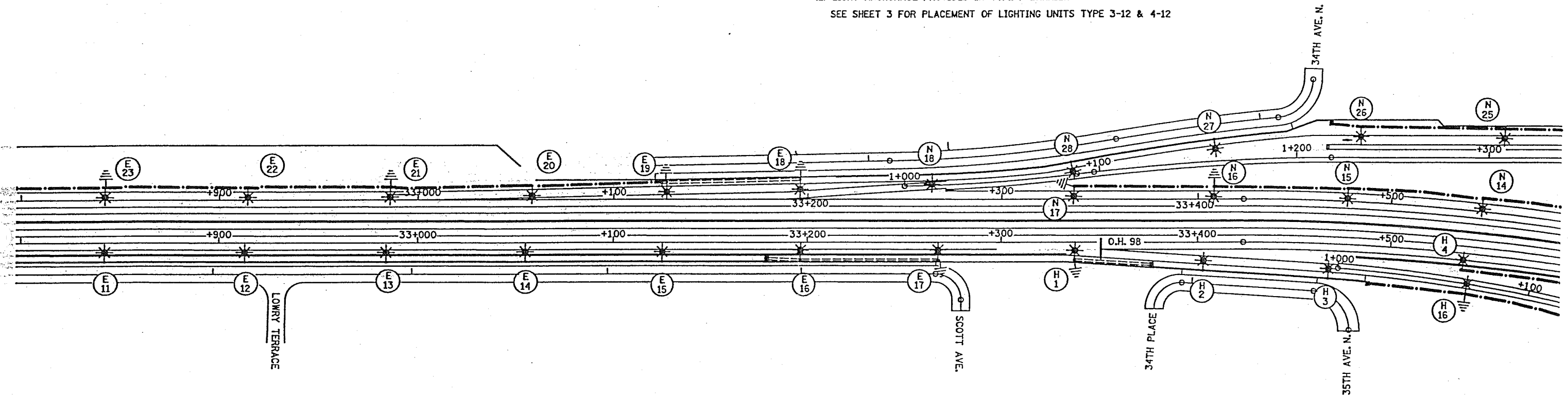
FD. PT. H5N

LIGHTING STANDARDS AND BASES					
NO.	STATION	LT.	RT.	LOCATION	TYPE
15	33+477	--	--	T.H. 100 S.B.L.	4-12
16	33+407	--	--	T.H. 100 S.B.L.	4-12
17	33+337	--	--	T.H. 100 S.B.L.	4-12
(2) 18	33+265	--	--	T.H. 100 S.B.L.	3B-12
19	1+790	--	--	N.W. RAMP	3-12
20	1+713	--	--	N.W. RAMP	3-12
21	1+636	--	--	N.W. RAMP	3-12
22	1+528	--	--	S.W. RAMP	3-12
23	1+455	--	--	S.W. RAMP	4-12
24	1+382	--	--	S.W. RAMP	4-12
25	1+308	--	--	S.W. RAMP	4-12
26	1+234	--	--	S.W. RAMP	4-12
(2) 27	1+159	--	--	S.W. RAMP	3B-12
(2) 28	1+086	--	--	S.W. RAMP	3B-12

(1) 250 WATT HIGH PRESSURE SODIUM UNDERPASS FIXTURE

(2) LIGHT ANCHORAGE PROVIDED IN TYPE F BARRIER

SEE SHEET 3 FOR PLACEMENT OF LIGHTING UNITS TYPE 3-12 & 4-12



FD. PT. H5H

LIGHTING STANDARDS AND BASES					
NO.	STATION	LT.	RT.	LOCATION	TYPE
(3) 1	33+338	--	--	T.H. 100 N.B.L.	4-12
(2) 2	33+403	--	--	T.H. 100 N.B.L.	3B-12
(2) 3	33+468	--	--	T.H. 100 N.B.L.	3B-12
4	33+538	--	--	T.H. 100 N.B.L.	4-12
5	33+611	--	--	T.H. 100 N.B.L.	4-12
6	33+684	--	--	T.H. 100 N.B.L.	4-12
7	33+757	--	--	T.H. 100 N.B.L.	4-12
8	33+833	--	--	T.H. 100 N.B.L.	4-12
9	33+900	--	--	T.H. 100 N.B.L.	4-12
10	33+967	--	--	T.H. 100 N.B.L.	4-12
11	34+034	--	--	T.H. 100 N.B.L.	4-12
12	34+101	--	--	T.H. 100 N.B.L.	4-12

FD. PT. H5H

LIGHTING STANDARDS AND BASES					
NO.	STATION	LT.	RT.	LOCATION	TYPE
13	34+168	--	--	T.H. 100 N.B.L.	4-12
14	34+238	--	--	T.H. 100 N.B.L.	4-12
15	34+308	--	--	T.H. 100 N.B.L.	4-12
16	1+067	--	--	S.E. RAMP	3-12
17	1+137	--	--	S.E. RAMP	3-12
18	1+205	--	--	S.E. RAMP	3-12
19	1+275	--	--	S.E. RAMP	3-12
20	1+355	--	--	N.E. RAMP	3-12
21	1+420	--	--	N.E. RAMP	3-12
(3) 22	1+490	--	--	N.E. RAMP	3-12
(3) 23	1+560	--	--	N.E. RAMP	3-12
(3) 24	1+630	--	--	N.E. RAMP	3-12

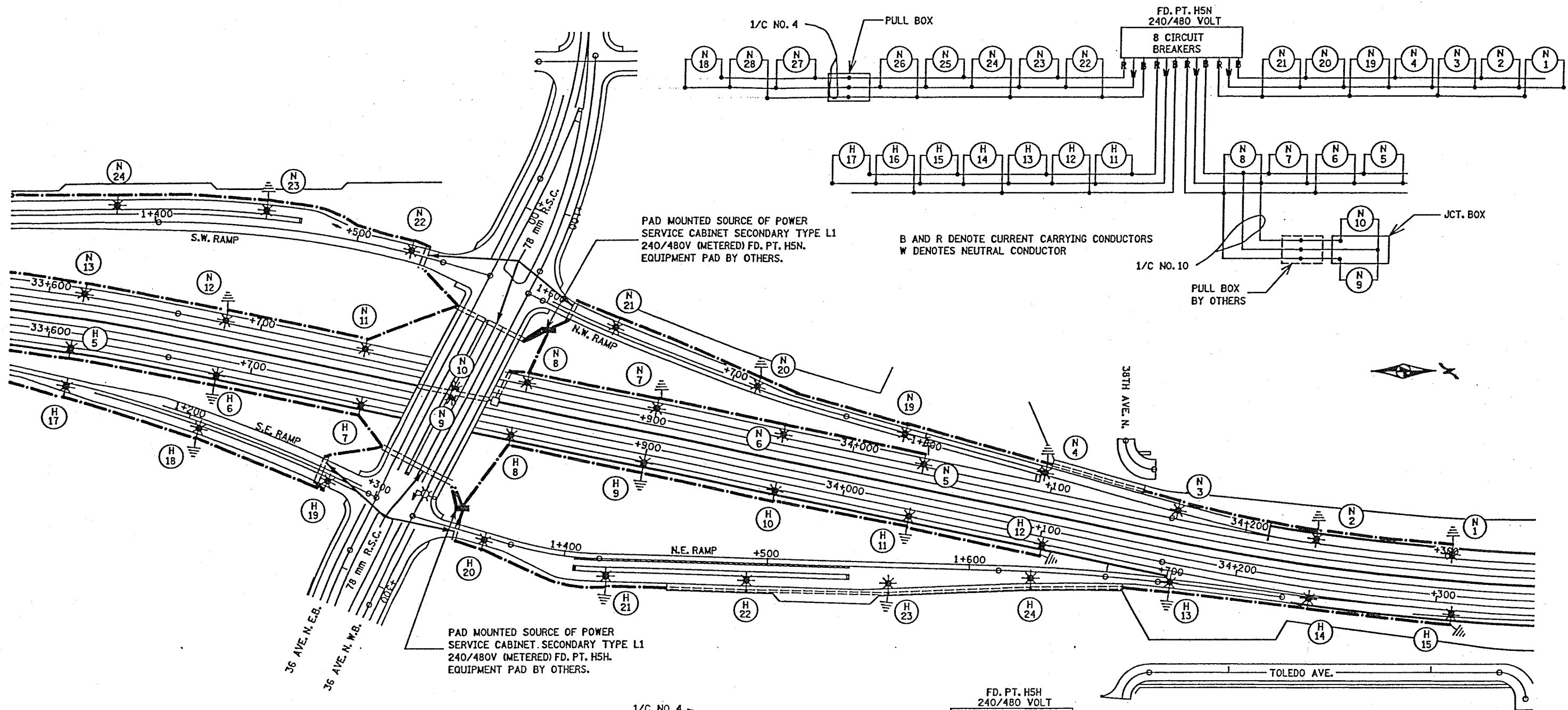
(2) LIGHT ANCHORAGE PROVIDED IN TYPE F BARRIER

(3) ACCESS DOOR TO FACE MAINLINE

SEE SHEET 3 FOR PLACEMENT OF LIGHTING UNITS

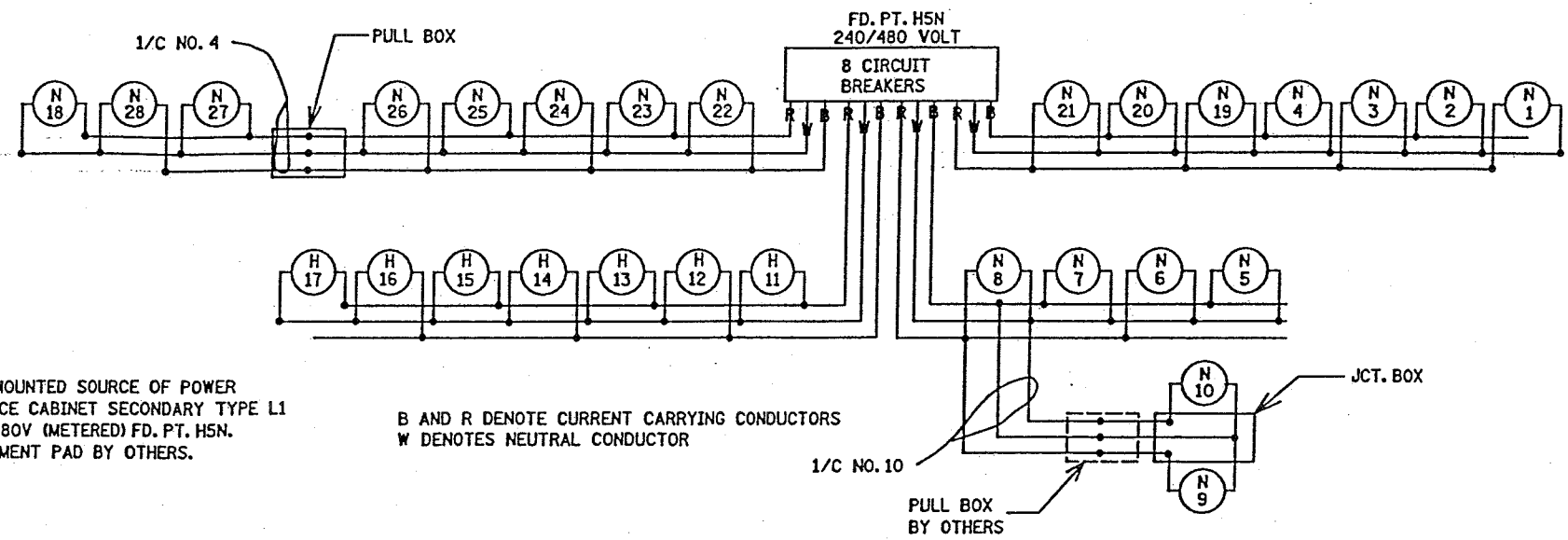


LIGHTING PLAN

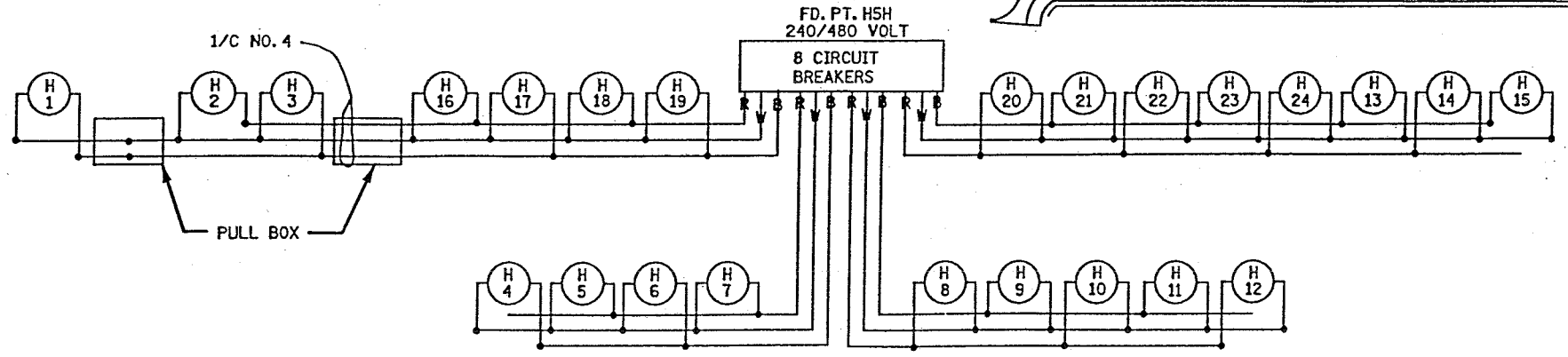


PAD MOUNTED SOURCE OF POWER
SERVICE CABINET SECONDARY TYPE L1
240/480V (METERED) FD. PT. HSN.
EQUIPMENT PAD BY OTHERS.

PAD MOUNTED SOURCE OF POWER
SERVICE CABINET SECONDARY TYPE L1
240/480V (METERED) FD. PT. HSN.
EQUIPMENT PAD BY OTHERS.



B AND R DENOTE CURRENT CARRYING CONDUCTORS
W DENOTES NEUTRAL CONDUCTOR



B AND R DENOTE CURRENT CARRYING CONDUCTORS
W DENOTES NEUTRAL CONDUCTOR



LIGHTING PLAN