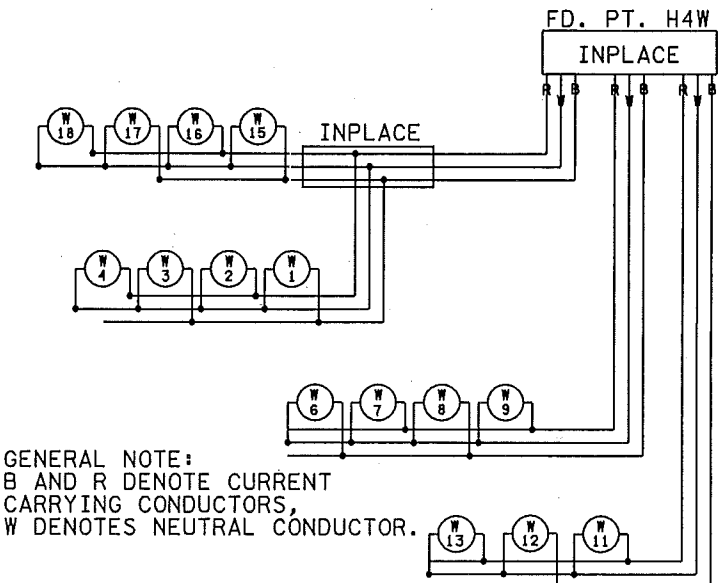
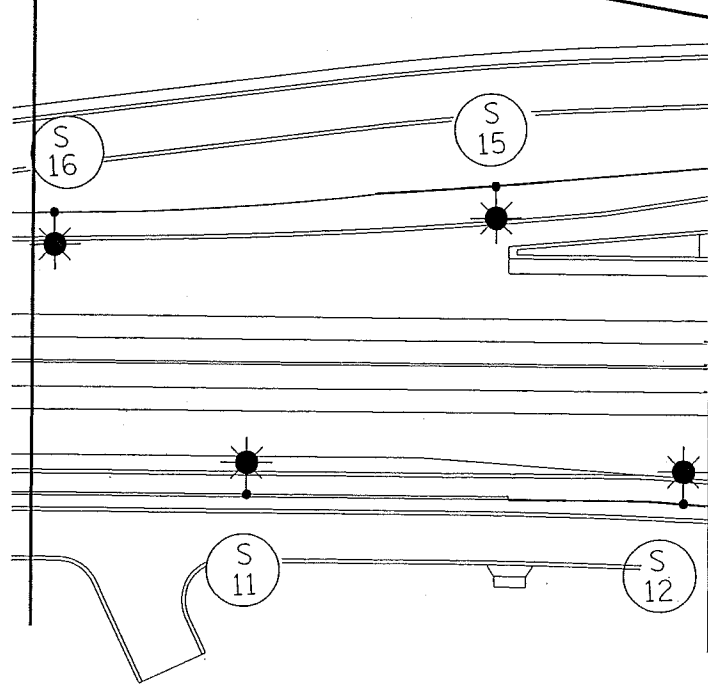
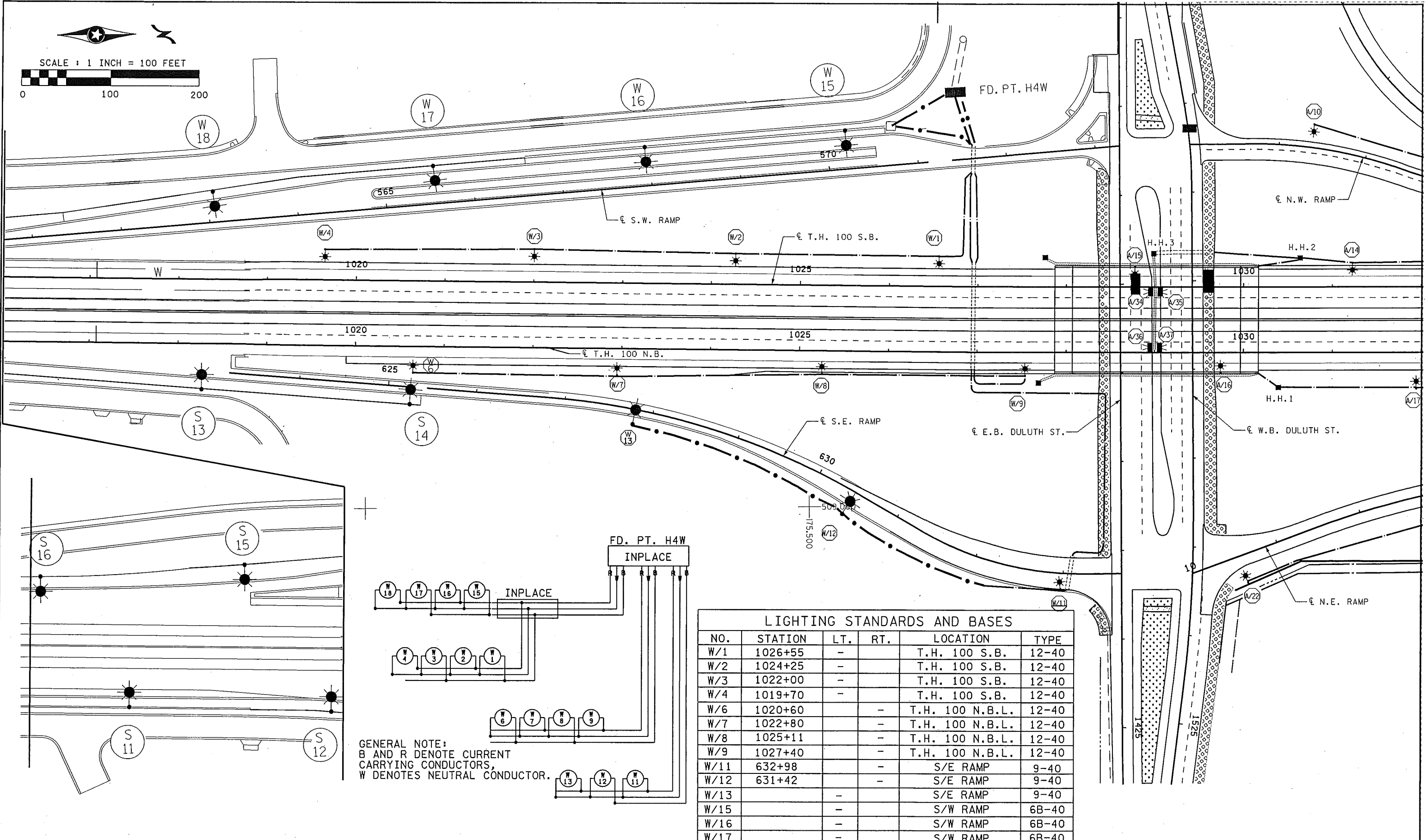
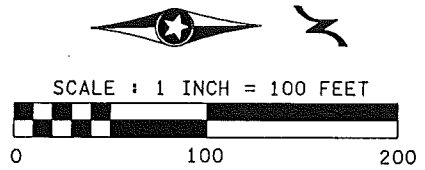


PLOTTED/REVISED: 12/15/2009

DISTRICT: METRO  
 IPLOT NAME: as-shar0201\_1a  
 PATH & FILENAME: S:\TRAFFIC\LIGHTING\Design\Projects\002735-172\as-shar0201\_1a.dgn



GENERAL NOTE:  
 B AND R DENOTE CURRENT  
 CARRYING CONDUCTORS,  
 W DENOTES NEUTRAL CONDUCTOR.

LIGHTING STANDARDS AND BASES					
NO.	STATION	LT.	RT.	LOCATION	TYPE
W/1	1026+55	-	-	T.H. 100 S.B.	12-40
W/2	1024+25	-	-	T.H. 100 S.B.	12-40
W/3	1022+00	-	-	T.H. 100 S.B.	12-40
W/4	1019+70	-	-	T.H. 100 S.B.	12-40
W/6	1020+60	-	-	T.H. 100 N.B.L.	12-40
W/7	1022+80	-	-	T.H. 100 N.B.L.	12-40
W/8	1025+11	-	-	T.H. 100 N.B.L.	12-40
W/9	1027+40	-	-	T.H. 100 N.B.L.	12-40
W/11	632+98	-	-	S/E RAMP	9-40
W/12	631+42	-	-	S/E RAMP	9-40
W/13		-	-	S/E RAMP	9-40
W/15		-	-	S/W RAMP	6B-40
W/16		-	-	S/W RAMP	6B-40
W/17		-	-	S/W RAMP	6B-40
W/18		-	-	S/W RAMP	6B-40

T.H. 100 AT DULUTH ST.

BY	DATE	REVISIONS

CERTIFIED BY \_\_\_\_\_ LIC. NO. 19863 DATE: \_\_\_\_\_  
LICENSED PROFESSIONAL ENGINEER

**LIGHTING PLAN**

STATE PROJ. NO. (T.H. ) SHEET NO. OF SHEETS