

FD. PT. H4A

LIGHTING STANDARDS & BASES					
NO.	STATION	LT.	RT.	LOCATION	TYPE
1	871+90			T.H. 100 MED.	6BD-49
24	874+85				
2	877+75				
23					
3	880+65				
22					
4	883+55				
21					
5	886+55				
20					
6	889+55				
19					
7	892+55			T.H. 100 MED.	6BD-49
18					
8					
17					

FD. PT. H4A

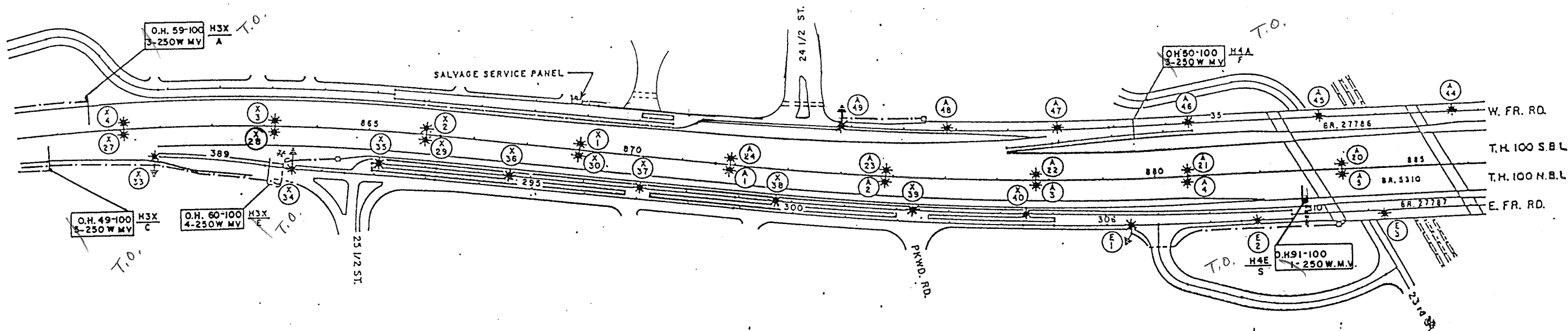
LIGHTING STANDARDS & BASES					
NO.	STATION	LT.	RT.	LOCATION	TYPE
9	895+55			T.H. 100 MED.	6BD-49
16					
10	898+55				
15					
11	901+55				
14					
12	904+50			T.H. 100 MED.	6BD-49
13					
25	27+10	-	-	C.D.S.B.	6B-40
26	61+35	-	-	S.B. SLIP	6-40
27	58+90	-	-	S.B. SLIP	6-40
28	24+65	-	-	C.D.S.B.	6B-40
29	22+25	-	-	C.D.S.B.	6B-40
30	906+85	-	-	T.H. 100 S.B.L.	6B-40
31	BR. PIER	-	-	W. FR. RD.	L
32	BR. PIER	-	-	W. FR. RD.	L
33	BR. PIER	-	-	W. FR. RD.	L

FD. PT. H4A

LIGHTING STANDARDS & BASES					
NO.	STATION	LT.	RT.	LOCATION	TYPE
34	BR. PIER	-	-	W. FR. RD.	L
35					
36					
37					
38	BR. PIER	-	-		L
39	50+90	-	-		6P-40
40	48+40	-	-		6P-40
41	46+00	-	-		6P-40
42	43+90	-	-		6B-40
43	42+00	-	-		
44	39+50	-	-		
45	36+95	-	-		
46	34+45	-	-		
47	31+95	-	-		
48	29+80	-	-		6B-40
49	27+80	-	-		6P-40
50	25+60	-	-		6P-40
51	23+55	-	-	W. FR. RD.	6P-40

EXHIBIT 276 B
T.H. 100 BET. MINNETONKA
BLVD. & T.H. 394
IN ST. LOUIS PARK

- (1) 250 WATT HIGH PRESSURE SODIUM LIGHTING UNITS
- (2) 200 WATT HIGH PRESSURE SODIUM LIGHTING UNITS
- (3) 200 WATT HIGH PRESSURE SODIUM UNDERPASS LIGHTS



FD. PT. H4E

LIGHTING STANDARDS & BASES					
NO.	STATION	LT.	RT.	LOCATION	TYPE
1	306+45	-	-	E. FR. RD.	6P-40
2	308+90	-	-		6P-40
3	311+30	-	-		6B-40
4	313+80	-	-		6B-40
5	316+50	-	-		6B-40
6	319+20	-	-		6P-40
7	321+60	-	-		6-40
8	324+00	-	-		6-40
9	326+10	-	-		6-40
10	328+50	-	-		6B-40
11	330+70	-	-	E. FR. RD.	
12	21+90	-	-	S.E. RAMP	
13	24+30	-	-	S.E. RAMP	
14	25+80	-	-	S.E. RAMP	
15	29+30	-	-	S.E. RAMP	6B-40

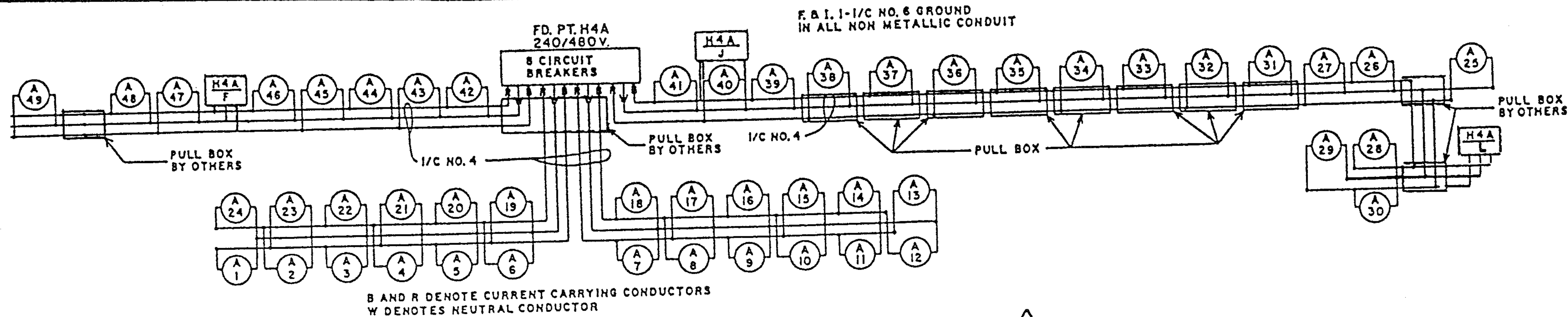
FD. PT. H4E

LIGHTING STANDARDS & BASES					
NO.	STATION	LT.	RT.	LOCATION	TYPE
16	31+80	-	-	S.E. RAMP	6-40
17	34+35	-	-		6B-40
18	36+90	-	-		
19	39+50	-	-		
20	42+50	-	-		
21	45+50	-	-		
22	48+50	-	-	S.E. RAMP	
23	892+25	-	-	T.H. 100 N.B.L.	
24	10+60	-	-	S.E. RAMP	
25	13+15	-	-	S.E. RAMP	
26	15+70	-	-	S.E. RAMP	
27	10+25	-	-	S.E. RAMP	
28	10+25	-	-	HOV E.B.	6B-40
29	14+95	-	-	N.B. SLIP	6-40
30	17+55	-	-	N.U. SLIP	6-40

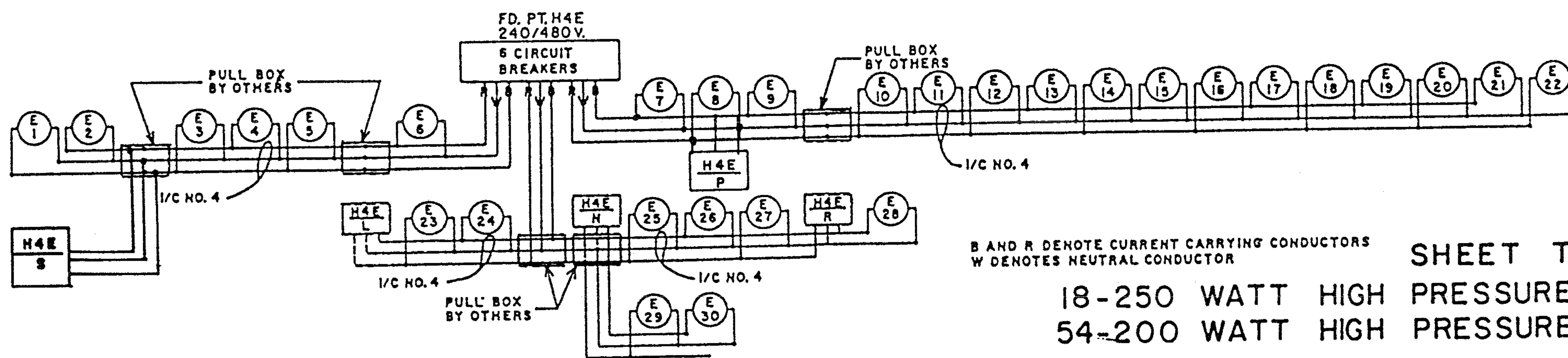
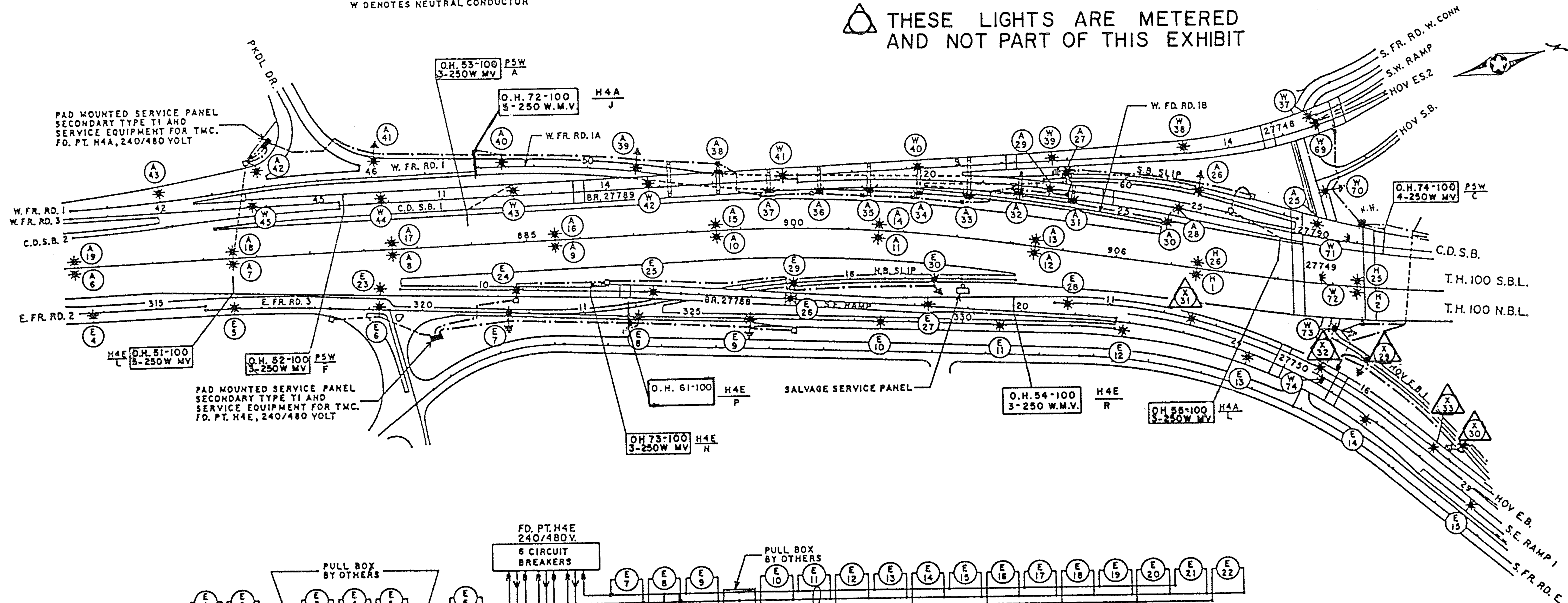
SHEET TOTALS
18-250 WATT HIGH PRESSURE SODIUM LIGHTING UNITS
17-200 WATT HIGH PRESSURE SODIUM LIGHTING UNITS
16-250 WATT MERCURY VAPOR SIGN LIGHTS

Turned off 4-18-95

EXHIBIT 276 B
 T.H. 100 BET. MINNETONKA
 BLVD. & T.H. 394
 IN ST. LOUIS PARK



△ THESE LIGHTS ARE METERED
 AND NOT PART OF THIS EXHIBIT



B AND R DENOTE CURRENT CARRYING CONDUCTORS
 W DENOTES NEUTRAL CONDUCTOR

SHEET TOTALS

18-250 WATT HIGH PRESSURE SODIUM LIGHTING UNITS
 54-200 WATT HIGH PRESSURE SODIUM LIGHTING UNITS

6 ~~29~~-250 WATT MERCURY VAPOR SIGN LIGHTS
 Turned off 4-18-95