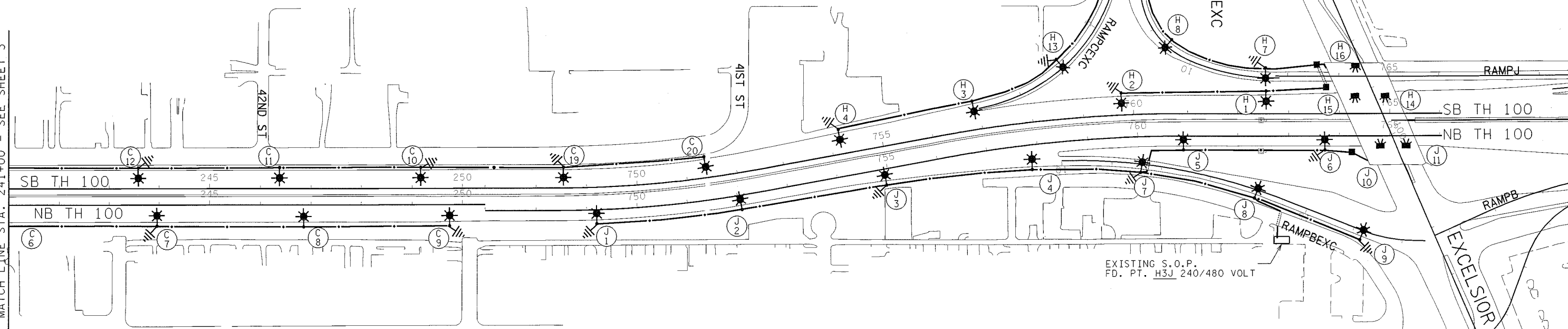


EXISTING S.O.P.  
FD. PT. H3H 240/480 VOLT

MATCH LINE STA. 241+00 - SEE SHEET 3

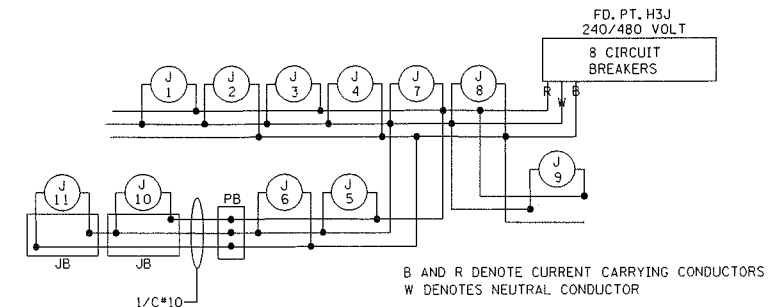


FD. PT. H3J

LIGHTING STANDARDS AND BASES					
NO.	LOCATION	STATION	LT.	RT.	TYPE
J1	NB TH 100	749+19		X	9-49
J2	NB TH 100	752+05		X	9-49
J3	NB TH 100	754+93		X	9-49
J4	NB TH 100	757+93		X	9-49
J5	NB TH 100	760+91		X	9-49
J6	NB TH 100	763+71		X	9-49
J7	RAMP B	11+60		X	9-40
J8	RAMP B	13+96		X	9-40
J9	RAMP B	16+19		X	9-40
J10	EXCELSIOR	100+28		X	L
J11	EXCELSIOR	100+50	X		L

FD. PT. H3H

LIGHTING STANDARDS AND BASES					
NO.	LOCATION	STATION	LT.	RT.	TYPE
H1	SB TH 100	762+55	X		9-49
H2	SB TH 100	759+75	X		9-49
H3	SB TH 100	756+87	X		9-49
H4	SB TH 100	754+19	X		9-49
H5	SB TH 100	751+38	X		9-49
H6	SB TH 100	748+55	X		9-49
H7	LOOP D EXC	8+48		X	9-40
H8	LOOP D EXC	10+60		X	9-40
H9	LOOP D EXC	12+65		X	9-40
H10	LOOP D EXC	14+55		X	9-40
H11	RAMP C EXC	2+00		X	9-40
H12	RAMP C EXC	4+00		X	9-40
H13	RAMP C EXC	6+00		X	9-40
H14	EXCELSIOR	99+14	X		L
H15	EXCELSIOR	99+07		X	L
H16	EXCELSIOR	98+29		X	L



AS-BUILT 3/2010

FD PT. H03H & H03J

LIGHTING PLAN