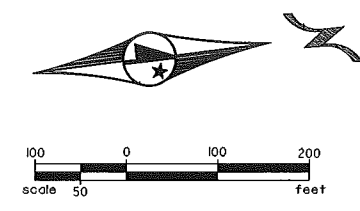


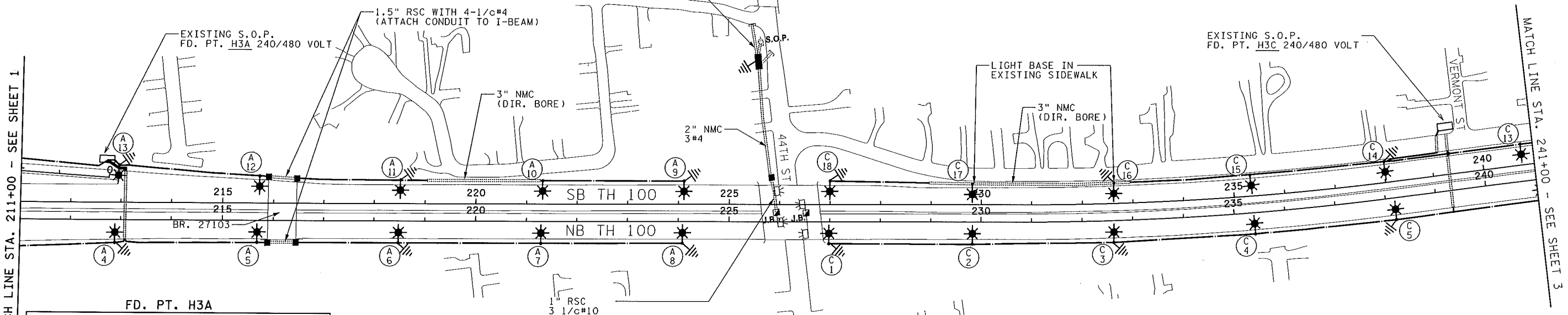
B AND R DENOTE CURRENT CARRYING CONDUCTORS
W DENOTES NEUTRAL CONDUCTOR



LEGEND

- EXISTING LIGHTING UNIT
- EXISTING UNDERPASS LIGHTING UNIT
- EXISTING SOURCE OF POWER
- DIRECT BURIED 4 CONDUCTOR NO.4 AWG ARMORED CABLE
- LIGHTING UNIT
- UNDERPASS LIGHTING UNIT
- GROUND ROD (25 OHM OR LESS)
- LIGHTING UNIT NUMBER
- 3" NMC SCH. 80 (DIRECT BORE) (UNLESS NOTED OTHERWISE)
- EXISTING 2" STEEL CONDUIT
- PULL BOX

NEW CITY OF EDINA FD. PT. TYPE SPECIAL
120/240 VOLT
FURNISH ALL CONDUIT, CONDUCTORS,
WEATHERHEAD, AND EQUIPMENT NECESSARY
TO PROVIDE A COMPLETE CONNECTION TO
XCEL ENERGY OVERHEAD SECONDARY CONDUCTORS



MATCH LINE STA. 211+00 - SEE SHEET 1

MATCH LINE STA. 241+00 - SEE SHEET 3

FD. PT. H3A

LIGHTING STANDARDS AND BASES

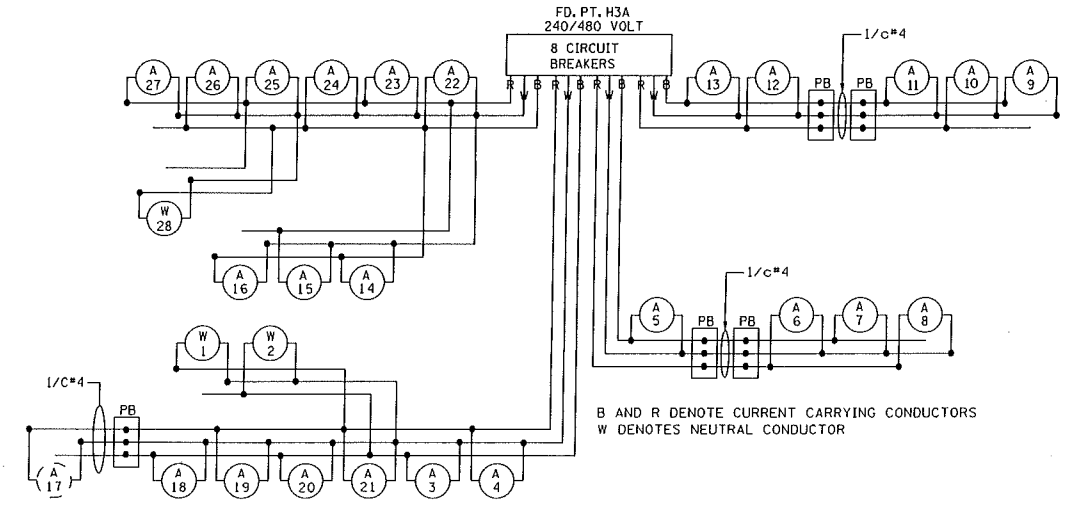
NO.	LOCATION	STATION	LT.	RT.	TYPE
A1	NB TH 100	204+57		X	9-49
A2	NB TH 100	207+29		X	9-49
A3	NB TH 100	210+24		X	9-49
A4	NB TH 100	213+89		X	9-49
A5	NB TH 100	215+68		X	9-49
A6	NB TH 100	218+48		X	9-49
A7	NB TH 100	221+28		X	9-49
A8	NB TH 100	224+08		X	9-49
A9	SB TH 100	224+10	X		9-49
A10	SB TH 100	221+30	X		9-49
A11	SB TH 100	218+51	X		9-49
A12	SB TH 100	215+72	X		9-49
A13	SB TH 100	212+95	X		9-49
A14	SB TH 100	210+06	X		9-49
A15	SB TH 100	207+36	X		9-49
A16	SB TH 100	204+67	X		9-49
A17	W50TH ST	699+24	X		INPLACE
A18	RAMP L	0+95		X	9-40
A19	RAMP L	2+49		X	9-40
A20	RAMP L	4+33	X		9-40
A21	RAMP L	6+43	X		9-40
A22	RAMP M	1+87		X	9-40
A23	RAMP M	3+94		X	9-40
A24	RAMP M CONN	0+17		X	9-40
A25	RAMP M CONN	2+17		X	9-40
A26	RAMP M CONN	4+10		X	9-40
A27	W50TH ST	694+35	X		9-40
A28	RAMP M	8+80		X	9-40

FD. PT. H3C

LIGHTING STANDARDS AND BASES

NO.	LOCATION	STATION	LT.	RT.	TYPE
C1	NB TH 100	226+99		X	9-49
C2	NB TH 100	229+83		X	9-49
C3	NB TH 100	232+62		X	9-49
C4	NB TH 100	235+40		X	9-49
C5	NB TH 100	238+18		X	9-49
C6	NB TH 100	241+07		X	9-49
C7	NB TH 100	243+96		X	9-49
C8	NB TH 100	246+85		X	9-49
C9	NB TH 100	249+74		X	9-49
C10	SB TH 100	249+17	X		9-49
C11	SB TH 100	246+38	X		9-49
C12	SB TH 100	243+58	X		9-49
C13	SB TH 100	240+77	X		9-49
C14	SB TH 100	238+01	X		9-49
C15	SB TH 100	235+33	X		9-49
C16	SB TH 100	232+63	X		9-49
C17	SB TH 100	229+81	X		9-49
C18	SB TH 100	227+01	X		9-49
C19	SB TH 100	748+55	X		9-49
C20	SB TH 100	751+30	X		9-49

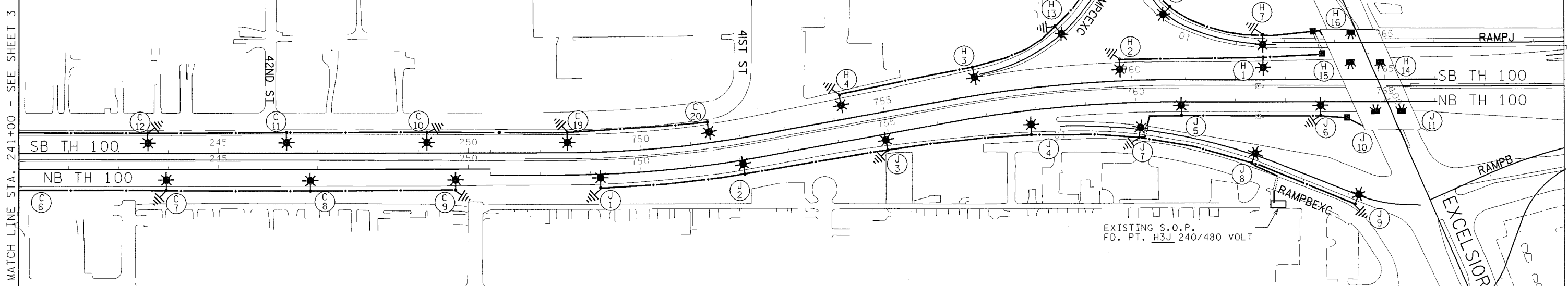
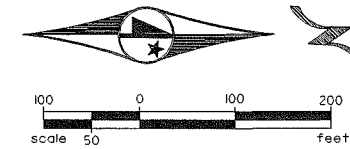
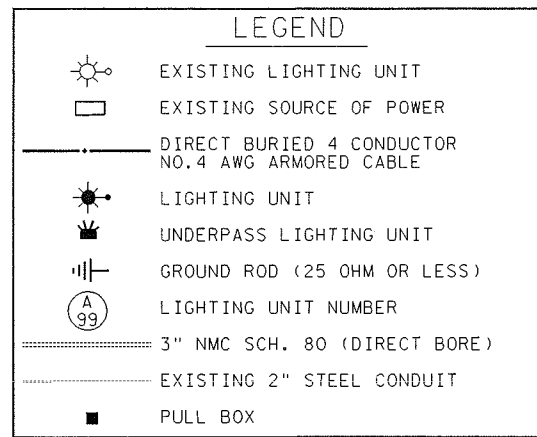
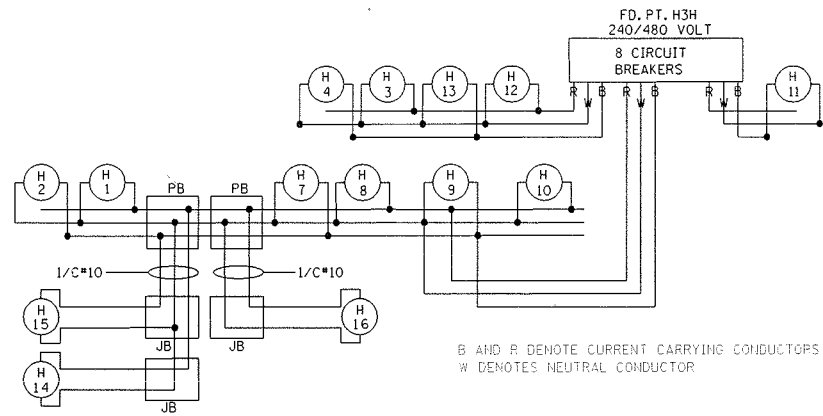
1" RSC
3 1/c#10
CONNECT TO EXISTING
CIRCUITING AND LIGHTING
UNITS AT JUNCTION BOX



B AND R DENOTE CURRENT CARRYING CONDUCTORS
W DENOTES NEUTRAL CONDUCTOR

① F & I 250W HPS LUMINAIRE & 1/C#4 CONDUCTORS

AS-BUILT LIGHTING PLAN



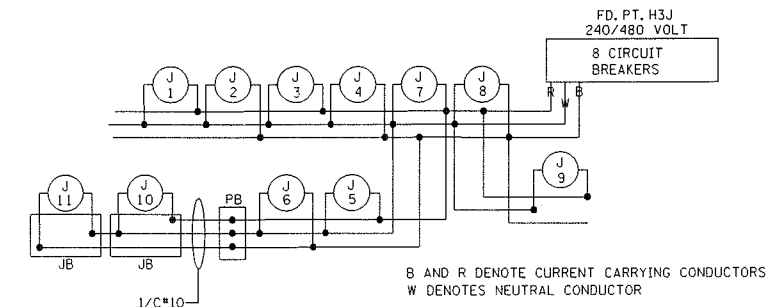
MATCH LINE STA. 241+00 - SEE SHEET 3

FD. PT. H3J

LIGHTING STANDARDS AND BASES					
NO.	LOCATION	STATION	LT.	RT.	TYPE
J1	NB TH 100	749+19		X	9-49
J2	NB TH 100	752+05		X	9-49
J3	NB TH 100	754+93		X	9-49
J4	NB TH 100	757+93		X	9-49
J5	NB TH 100	760+91		X	9-49
J6	NB TH 100	763+71		X	9-49
J7	RAMP B	11+60		X	9-40
J8	RAMP B	13+96		X	9-40
J9	RAMP B	16+19		X	9-40
J10	EXCELSIOR	100+28		X	L
J11	EXCELSIOR	100+50	X		L

FD. PT. H3H

LIGHTING STANDARDS AND BASES					
NO.	LOCATION	STATION	LT.	RT.	TYPE
H1	SB TH 100	762+55	X		9-49
H2	SB TH 100	759+75	X		9-49
H3	SB TH 100	756+87	X		9-49
H4	SB TH 100	754+19	X		9-49
H5	SB TH 100	751+38	X		9-49
H6	SB TH 100	748+55	X		9-49
H7	LOOP D EXC	8+48		X	9-40
H8	LOOP D EXC	10+60		X	9-40
H9	LOOP D EXC	12+65		X	9-40
H10	LOOP D EXC	14+55		X	9-40
H11	RAMP C EXC	2+00		X	9-40
H12	RAMP C EXC	4+00		X	9-40
H13	RAMP C EXC	6+00		X	9-40
H14	EXCELSIOR	99+14	X		L
H15	EXCELSIOR	99+07		X	L
H16	EXCELSIOR	98+29		X	L



AS-BUILT 3/2010

FD PT. H03H & H03J

LIGHTING PLAN