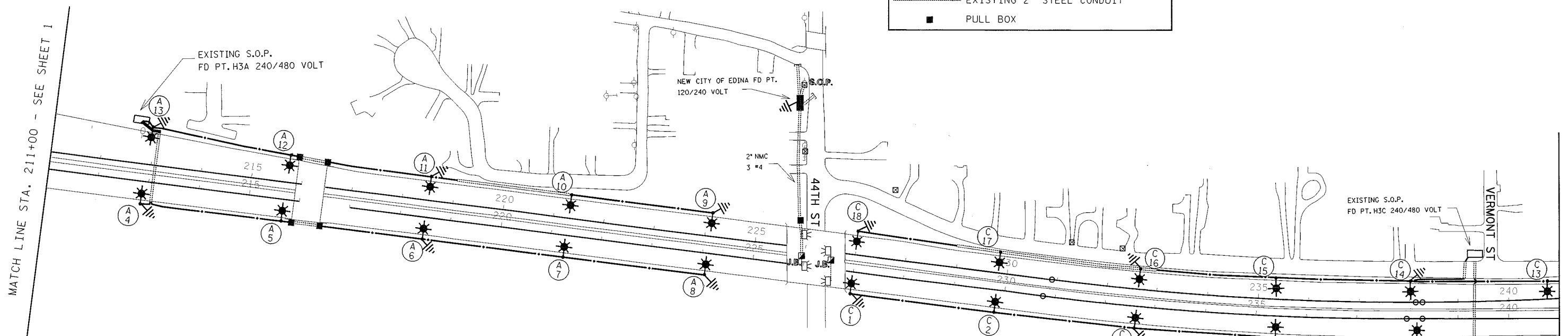
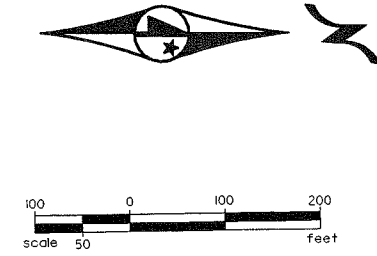
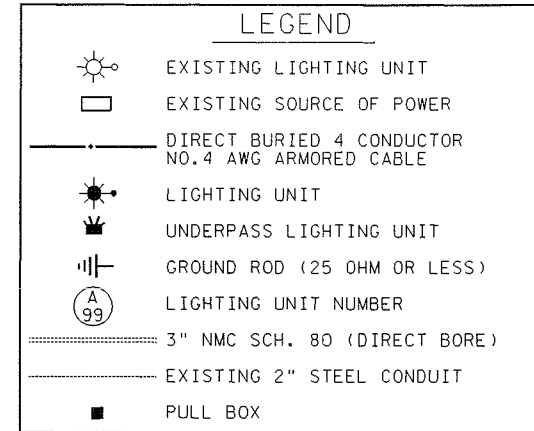


B AND R DENOTE CURRENT CARRYING CONDUCTORS
W DENOTES NEUTRAL CONDUCTOR



MATCH LINE STA. 211+00 - SEE SHEET 1

MATCH LINE STA. 241+00 - SEE SHEET 3

FD. PT. H3A

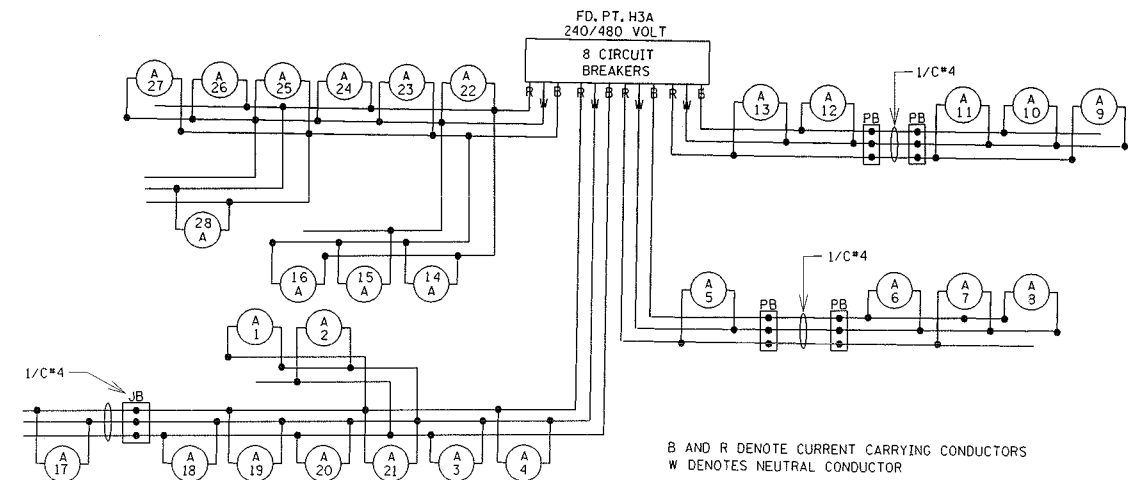
LIGHTING STANDARDS AND BASES

NO.	LOCATION	STATION	LT.	RT.	TYPE
A1	NB TH 100	204+57		X	9-49
A2	NB TH 100	207+29		X	9-49
A3	NB TH 100	210+24		X	9-49
A4	NB TH 100	213+89		X	9-49
A5	NB TH 100	215+68		X	9-49
A6	NB TH 100	218+48		X	9-49
A7	NB TH 100	221+28		X	9-49
A8	NB TH 100	224+08		X	9-49
A9	SB TH 100	224+10	X		9-49
A10	SB TH 100	221+30	X		9-49
A11	SB TH 100	218+51	X		9-49
A12	SB TH 100	215+72	X		9-49
A13	SB TH 100	212+95	X		9-49
A14	SB TH 100	210+06	X		9-49
A15	SB TH 100	207+36	X		9-49
A16	SB TH 100	204+67	X		9-49
A17	W 50TH ST	699+24	X		INPLACE
A18	RAMP L	0+95		X	9-40
A19	RAMP L	2+49		X	9-40
A20	RAMP L	4+33	X		9-40
A21	RAMP L	6+43	X		9-40
A22	RAMP M	1+87		X	9-40
A23	RAMP M	3+94		X	9-40
A24	RAMP M	0+17		X	9-40
A25	RAMP M	2+17		X	9-40
A26	RAMP M	4+10		X	9-40
A27	W 50TH ST	694+35	X		9-40
A28	RAMP M	8+80		X	9-40

FD. PT. H3C

LIGHTING STANDARDS AND BASES

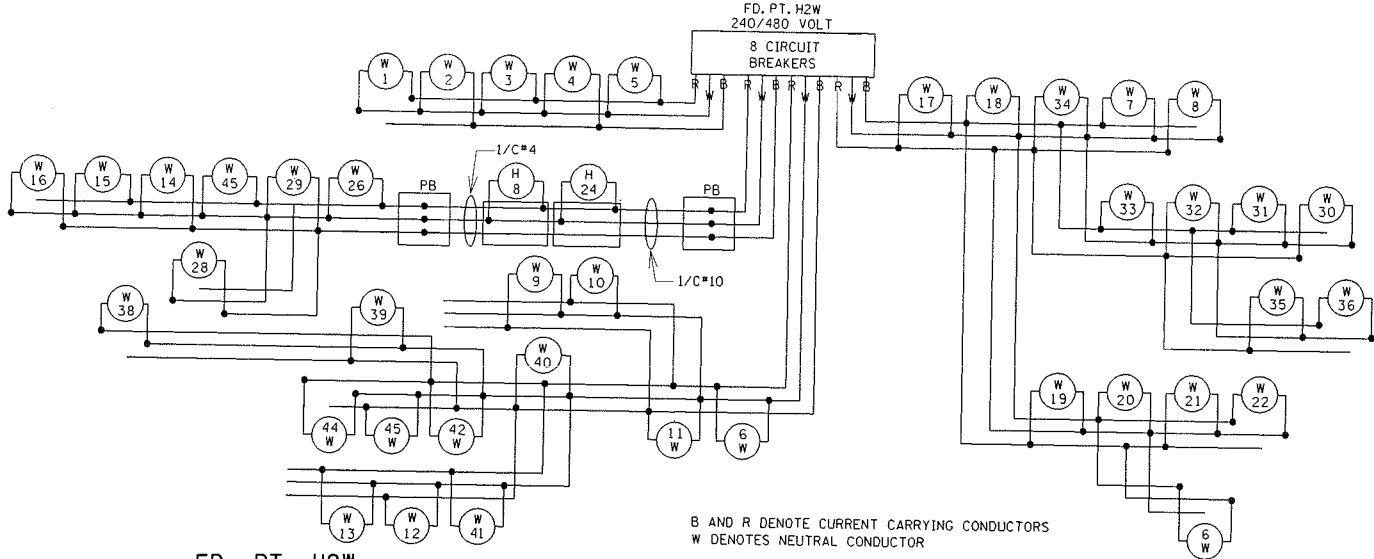
NO.	LOCATION	STATION	LT.	RT.	TYPE
C1	NB TH 100	226+99		X	9-49
C2	NB TH 100	229+83		X	9-49
C3	NB TH 100	232+62		X	9-49
C4	NB TH 100	235+40		X	9-49
C5	NB TH 100	238+18		X	9-49
C6	NB TH 100	241+07		X	9-49
C7	NB TH 100	243+96		X	9-49
C8	NB TH 100	246+85		X	9-49
C9	NB TH 100	249+74		X	9-49
C10	SB TH 100	249+17	X		9-49
C11	SB TH 100	246+38	X		9-49
C12	SB TH 100	243+58	X		9-49
C13	SB TH 100	240+77	X		9-49
C14	SB TH 100	238+01	X		9-49
C15	SB TH 100	235+33	X		9-49
C16	SB TH 100	232+63	X		9-49
C17	SB TH 100	229+81	X		9-49
C18	SB TH 100	227+01	X		9-49



B AND R DENOTE CURRENT CARRYING CONDUCTORS
W DENOTES NEUTRAL CONDUCTOR

AS-BUILT 3/2010
FD PTS. H03C & H03A

① F&I 250W HPS LUMINARE & 1/C #4



LEGEND	
	EXISTING LIGHTING UNIT
	EXISTING SOURCE OF POWER
	DIRECT BURIED 4 CONDUCTOR NO. 4 AWG ARMORED CABLE
	LIGHTING UNIT
	UNDERPASS LIGHTING UNIT
	GROUND ROD (25 OHM OR LESS)
	LIGHTING UNIT NUMBER
	3" NMC SCH. 80 (DIRECT BORE)
	EXISTING 2" STEEL CONDUIT
	PULL BOX

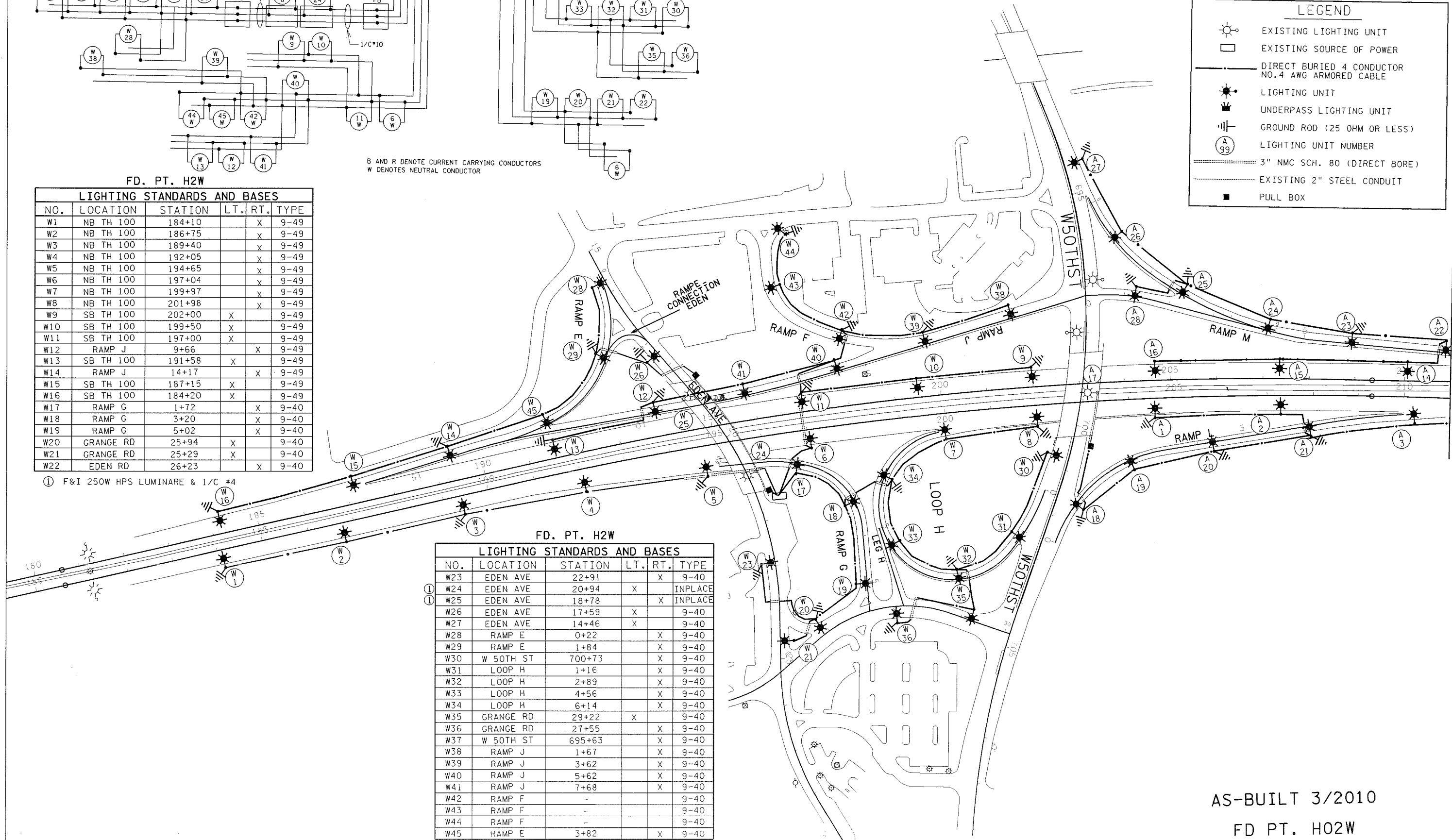
FD. PT. H2W

LIGHTING STANDARDS AND BASES				
NO.	LOCATION	STATION	LT. RT.	TYPE
W1	NB TH 100	184+10	X	9-49
W2	NB TH 100	186+75	X	9-49
W3	NB TH 100	189+40	X	9-49
W4	NB TH 100	192+05	X	9-49
W5	NB TH 100	194+65	X	9-49
W6	NB TH 100	197+04	X	9-49
W7	NB TH 100	199+97	X	9-49
W8	NB TH 100	201+98	X	9-49
W9	SB TH 100	202+00	X	9-49
W10	SB TH 100	199+50	X	9-49
W11	SB TH 100	197+00	X	9-49
W12	RAMP J	9+66	X	9-49
W13	SB TH 100	191+58	X	9-49
W14	RAMP J	14+17	X	9-49
W15	SB TH 100	187+15	X	9-49
W16	SB TH 100	184+20	X	9-49
W17	RAMP G	1+72	X	9-40
W18	RAMP G	3+20	X	9-40
W19	RAMP G	5+02	X	9-40
W20	GRANGE RD	25+94	X	9-40
W21	GRANGE RD	25+29	X	9-40
W22	EDEN RD	26+23	X	9-40

① F&I 250W HPS LUMINAIRE & 1/C #4

FD. PT. H2W

LIGHTING STANDARDS AND BASES				
NO.	LOCATION	STATION	LT. RT.	TYPE
W23	EDEN AVE	22+91	X	9-40
W24	EDEN AVE	20+94	X	INPLACE
W25	EDEN AVE	18+78	X	INPLACE
W26	EDEN AVE	17+59	X	9-40
W27	EDEN AVE	14+46	X	9-40
W28	RAMP E	0+22	X	9-40
W29	RAMP E	1+84	X	9-40
W30	W 50TH ST	700+73	X	9-40
W31	LOOP H	1+16	X	9-40
W32	LOOP H	2+89	X	9-40
W33	LOOP H	4+56	X	9-40
W34	LOOP H	6+14	X	9-40
W35	GRANGE RD	29+22	X	9-40
W36	GRANGE RD	27+55	X	9-40
W37	W 50TH ST	695+63	X	9-40
W38	RAMP J	1+67	X	9-40
W39	RAMP J	3+62	X	9-40
W40	RAMP J	5+62	X	9-40
W41	RAMP J	7+68	X	9-40
W42	RAMP F	-	-	9-40
W43	RAMP F	-	-	9-40
W44	RAMP F	-	-	9-40
W45	RAMP E	3+82	X	9-40



AS-BUILT 3/2010
FD PT. H02W