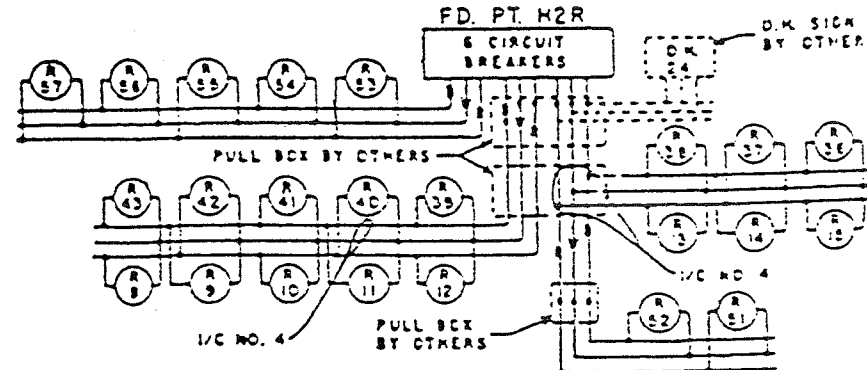


2-250 WATT MERCURY VAPOR UNDERPASS LIGHTS  
34-200 WATT HIGH PRESSURE SODIUM LIGHTING UNITS

- ☐ SOURCE OF POWER (PAD MOUNTED)
- ▬ RIGID STEEL CONDUIT BY OTHERS
- ⊥ PERMANENT GROUND ROD (25 OHMS OR LESS)
- ☉ MERCURY VAPOR LIGHTING UNIT IES TYPE □ (SINGLE MAST ARM)
- ☉ MERCURY VAPOR LIGHTING UNIT IES TYPE ▢ (TWIN MAST ARM)
- ☉ UNDERPASS LIGHTING UNITS, TYPE M
- PULL BOX BY OTHERS
- JUNCTION BOX BY OTHERS
- DISTRIBUTION CIRCUIT 3 CONDUCTOR NO. 4 AWG (ARMORED CABLE) SPEC. NO. 3804 B 3805
- LAMPS SHALL BE 400 WATT OR 250 WATT CLEAR MERCURY
- SUCCESSIVE LIGHTS SHALL BE CONNECTED ON ALTERNATE SIDES OF THE 3 WIRE CIRCUIT
- O.H. SIGN BY OTHERS



B AND R DENOTE CURRENT CARRYING CONDUCTORS  
W DENOTES NEUTRAL CONDUCTOR

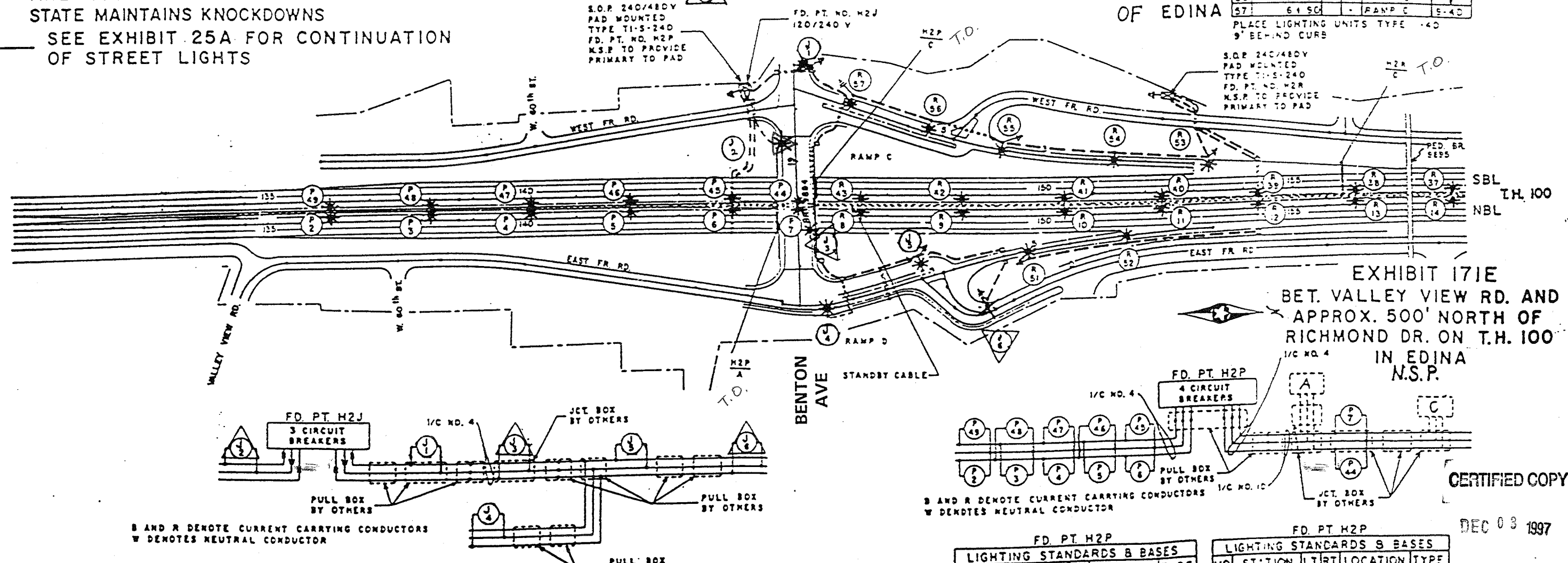
FD. PT. H2R

| NO | STATION     | LT | RT | LOCATION | TYPE  |
|----|-------------|----|----|----------|-------|
| 8  | NB 146 + 50 |    |    | T.H. 100 |       |
| 43 |             |    |    | MEDIAN   | 60-40 |
| 9  | NB 148 + 45 |    |    |          |       |
| 42 |             |    |    |          |       |
| 10 | NB 50 + 40  |    |    |          |       |
| 41 |             |    |    |          |       |
| 11 | NB 52 + 35  |    |    |          |       |
| 40 |             |    |    |          |       |
| 12 | NB 54 + 30  |    |    |          |       |
| 39 |             |    |    |          |       |
| 13 | NB 56 + 25  |    |    |          |       |
| 38 |             |    |    |          |       |
| 14 | NB 58 + 20  |    |    |          |       |
| 37 |             |    |    |          |       |
| 15 | NB 60 + 30  |    |    | T.H. 100 |       |
| 36 |             |    |    | MEDIAN   | 60-40 |
| 51 | 4 + 85      |    |    | RAMP D   | 5-40  |
| 52 | 6 + 80      |    |    | RAMP D   |       |
| 53 | 53 + 30     |    |    | T.H. 100 |       |
| 54 | 1 + 70      |    |    | RAMP C   |       |
| 55 | 3 + 80      |    |    | RAMP C   |       |
| 56 | 5 + 30      |    |    | RAMP C   |       |
| 57 | 6 + 50      |    |    | RAMP C   | 5-40  |

PLACE LIGHTING UNITS TYPE 140  
9' BEHIND CURB

LIGHTING UNITS 1/2, 1/3 AND 1/6  
ARE NOT PART OF THIS EXHIBIT  
STATE MAINTAINS KNOCKDOWNS  
SEE EXHIBIT 25A FOR CONTINUATION  
OF STREET LIGHTS

THESE LIGHTS ARE MAINTAINED BY THE CITY  
OF EDINA



B AND R DENOTE CURRENT CARRYING CONDUCTORS  
W DENOTES NEUTRAL CONDUCTOR

B AND R DENOTE CURRENT CARRYING CONDUCTORS  
W DENOTES NEUTRAL CONDUCTOR

FD. PT. H2J

| NO | STATION  | LT | RT | LOCATION  | TYPE  |
|----|----------|----|----|-----------|-------|
| 1  | 17 + 15  |    |    | BENTON A. | 9-40  |
| 2  | 18 + 65  |    |    | BENTON A. | 9-40  |
| 3  | 20 + 30  |    |    | BENTON A. | 60-40 |
| 4  | 0 + 80   |    |    | RAMP D    | 9-40  |
| 5  | 2 + 80   |    |    | RAMP D    | 9-40  |
| 6  | 148 + 75 |    |    | E FR RD   | 9-40  |

TO BE NON BREAKAWAY POLES  
STEEL OR ALUMINUM  
▲ CITY MAINTAINED

PLACE LIGHTING UNITS TYPE 9-40  
9' BEHIND CURB

FD. PT. H2P

| NO | STATION     | LT | RT | LOCATION | TYPE  |
|----|-------------|----|----|----------|-------|
| 1  | NB 134 + 25 |    |    | T.H. 100 |       |
| 50 |             |    |    | MEDIAN   | 60-40 |
| 2  | NB 136 + 20 |    |    |          |       |
| 49 |             |    |    |          |       |
| 3  | NB 138 + 15 |    |    |          |       |
| 48 |             |    |    |          |       |
| 4  | NB 140 + 10 |    |    | T.H. 100 |       |
| 47 |             |    |    | MEDIAN   | 60-40 |

FD. PT. H2P

| NO | STATION     | LT | RT | LOCATION     | TYPE  |
|----|-------------|----|----|--------------|-------|
| 5  | NB 142 + 05 |    |    | T.H. 100     |       |
| 46 |             |    |    | MEDIAN       | 60-40 |
| 6  | NB 144 + 00 |    |    | T.H. 100     |       |
| 45 |             |    |    | MEDIAN       | 60-40 |
| 7  | 45 + 28     |    |    | T.H. 100 MBL | M     |
| 44 | 45 + 28     |    |    | T.H. 100 MBL | M     |

FD. PT. H2J, H2P, H2R  
BENTON AVE. INT.

CERTIFIED COPY

DEC 03 1997

EXHIBIT 171E  
BET. VALLEY VIEW RD. AND  
APPROX. 500' NORTH OF  
RICHMOND DR. ON T.H. 100  
IN EDINA  
N.S.P.