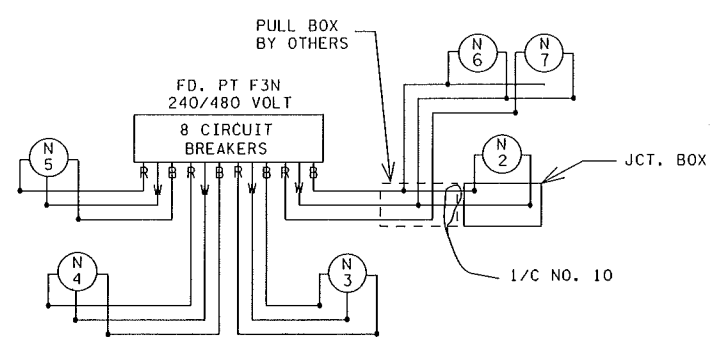


sheet total  
13 tower lighting units



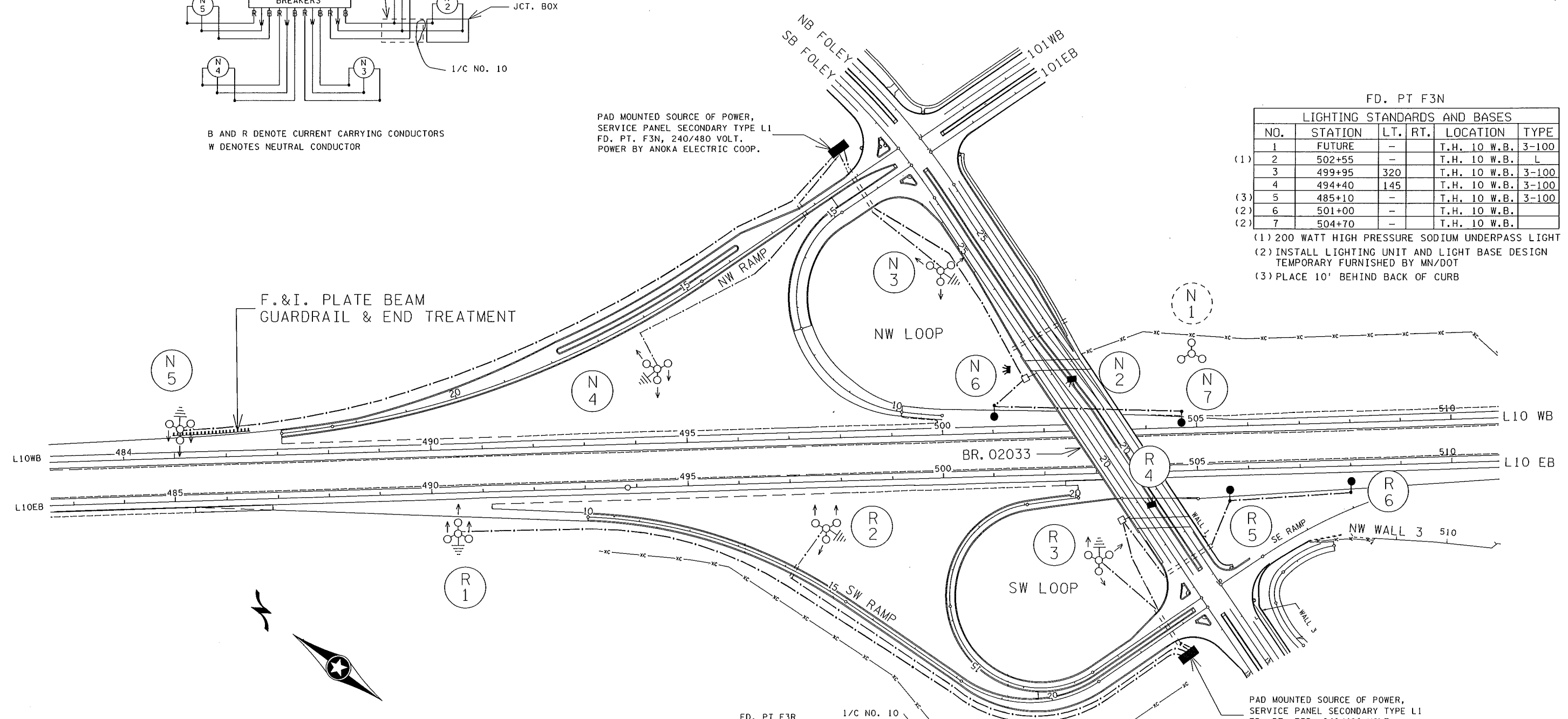
B AND R DENOTE CURRENT CARRYING CONDUCTORS  
W DENOTES NEUTRAL CONDUCTOR

PAD MOUNTED SOURCE OF POWER,  
SERVICE PANEL SECONDARY TYPE L1  
FD. PT. F3N, 240/480 VOLT.  
POWER BY ANOKA ELECTRIC COOP.

FD. PT F3N

LIGHTING STANDARDS AND BASES					
NO.	STATION	LT.	RT.	LOCATION	TYPE
1	FUTURE	-	-	T.H. 10 W.B.	3-100
(1) 2	502+55	-	-	T.H. 10 W.B.	L
3	499+95	320	-	T.H. 10 W.B.	3-100
4	494+40	145	-	T.H. 10 W.B.	3-100
(3) 5	485+10	-	-	T.H. 10 W.B.	3-100
(2) 6	501+00	-	-	T.H. 10 W.B.	
(2) 7	504+70	-	-	T.H. 10 W.B.	

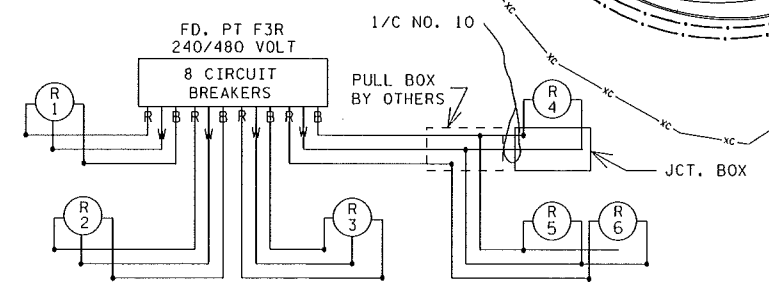
- (1) 200 WATT HIGH PRESSURE SODIUM UNDERPASS LIGHT
- (2) INSTALL LIGHTING UNIT AND LIGHT BASE DESIGN TEMPORARY FURNISHED BY MN/DOT
- (3) PLACE 10' BEHIND BACK OF CURB



FD. PT. F3R

LIGHTING STANDARDS AND BASES					
NO.	STATION	LT.	RT.	LOCATION	TYPE
1	490+50	85	-	T.H. 10 E.B.	3-100
2	497+70	90	-	T.H. 10 E.B.	3-100
3	503+10	170	-	T.H. 10 E.B.	3-100
(1) 4	504+10	-	-	T.H. 10 E.B.	L
(2) 5	505+60	-	-	T.H. 10 E.B.	
(2) 6	508+00	-	-	T.H. 10 E.B.	

- (1) 200 WATT HIGH PRESSURE SODIUM UNDERPASS LIGHT
- (2) INSTALL LIGHTING UNIT AND LIGHT BASE DESIGN TEMPORARY FURNISHED BY MN/DOT



B AND R DENOTE CURRENT CARRYING CONDUCTORS  
W DENOTES NEUTRAL CONDUCTOR

PAD MOUNTED SOURCE OF POWER,  
SERVICE PANEL SECONDARY TYPE L1  
FD. PT. F3R, 240/480 VOLT.  
POWER BY ANOKA ELECTRIC COOP.

exhibit  
t.h. 10 and foley  
anoka electric coop

FIELD AS BUILT