

B AND R DENOTE CURRENT CARRYING CONDUCTORS
W DENOTES NEUTRAL CONDUCTOR

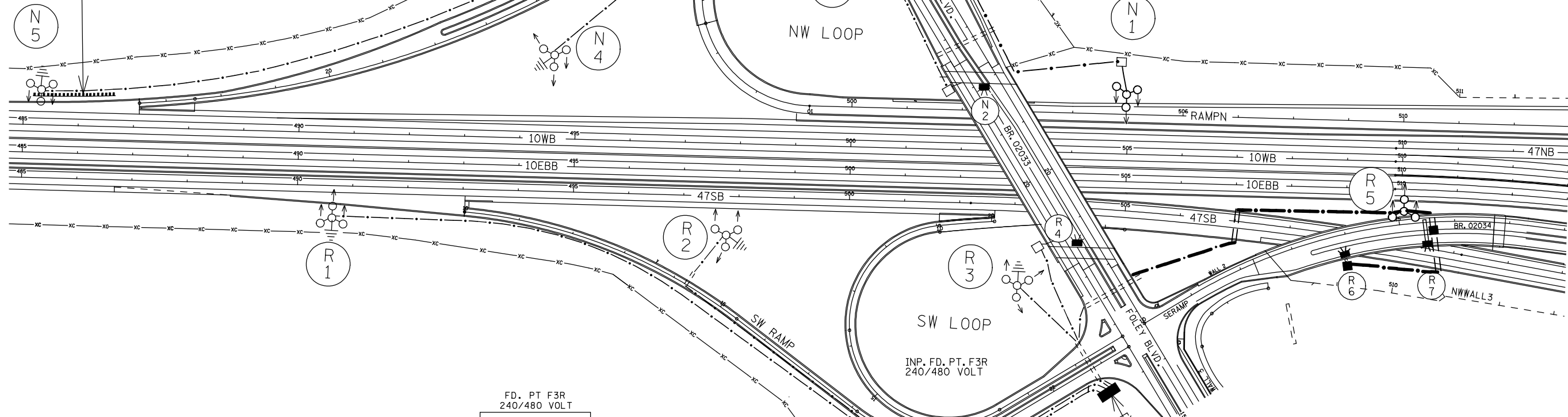
PAD MOUNTED SOURCE OF POWER,
SERVICE PANEL SECONDARY TYPE L1
FD. PT. F3N, 240/480 VOLT.
POWER BY ANOKA ELECTRIC COOP.

FD. PT. F3N

LIGHTING STANDARDS AND BASES					
NO.	STATION	LT.	RT.	LOCATION	TYPE
(4) 1	505+00	32		RAMP N	3-100
2	INPLACE				
3	INPLACE				
4	INPLACE				
5	INPLACE				

(4) FINAL LOCATION AND DISTANCE OUT
AS DIRECTED BY THE ENGINEER

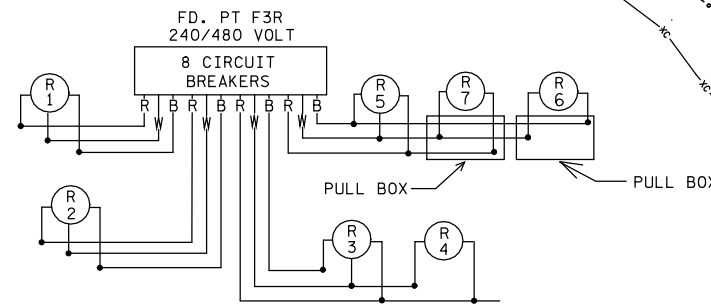
F.&I. PLATE BEAM
GUARDRAIL & END TREATMENT



FD. PT. F3R

LIGHTING STANDARDS AND BASES					
NO.	STATION	LT.	RT.	LOCATION	TYPE
1	490+50		85	T.H. 10 E.B.	3-100
2	497+70		90	T.H. 10 E.B.	3-100
3	503+10		170		3-100
4	504+10				L
5	510+00		34	T.H. 10 E.B.	3-120
(1) 6	AS SHOWN		-	T.H. 47 S.B.	L
(1) 7	AS SHOWN		-	T.H. 47 S.B.	L

(1) 200 WATT HIGH PRESSURE SODIUM UNDERPASS LIGHT



B AND R DENOTE CURRENT CARRYING CONDUCTORS
W DENOTES NEUTRAL CONDUCTOR

PAD MOUNTED SOURCE OF POWER,
SERVICE PANEL SECONDARY TYPE L1
FD. PT. F3R, 240/480 VOLT.
POWER BY ANOKA ELECTRIC COOP.

T.H. 10 & FOLEY BLVD.
IN COON RAPIDS
ANOKA ELECTRIC COOP
METERED

FD. PTS. F3N, F3R