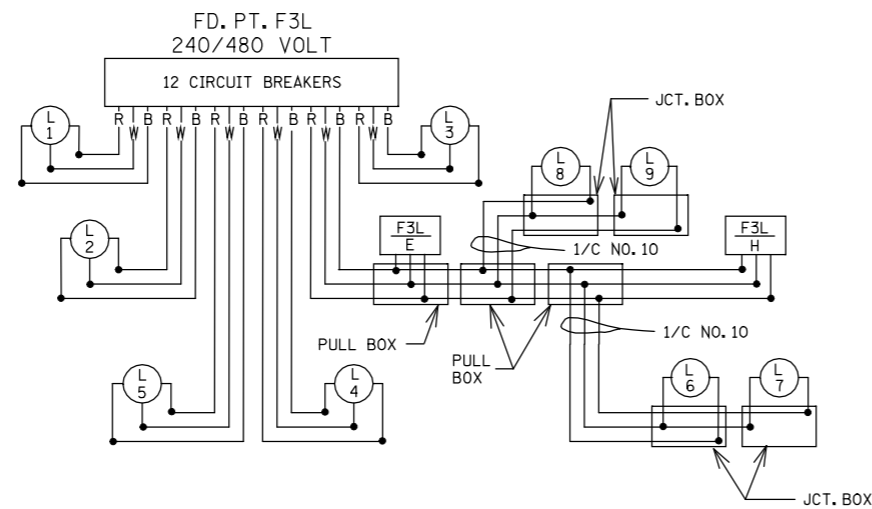
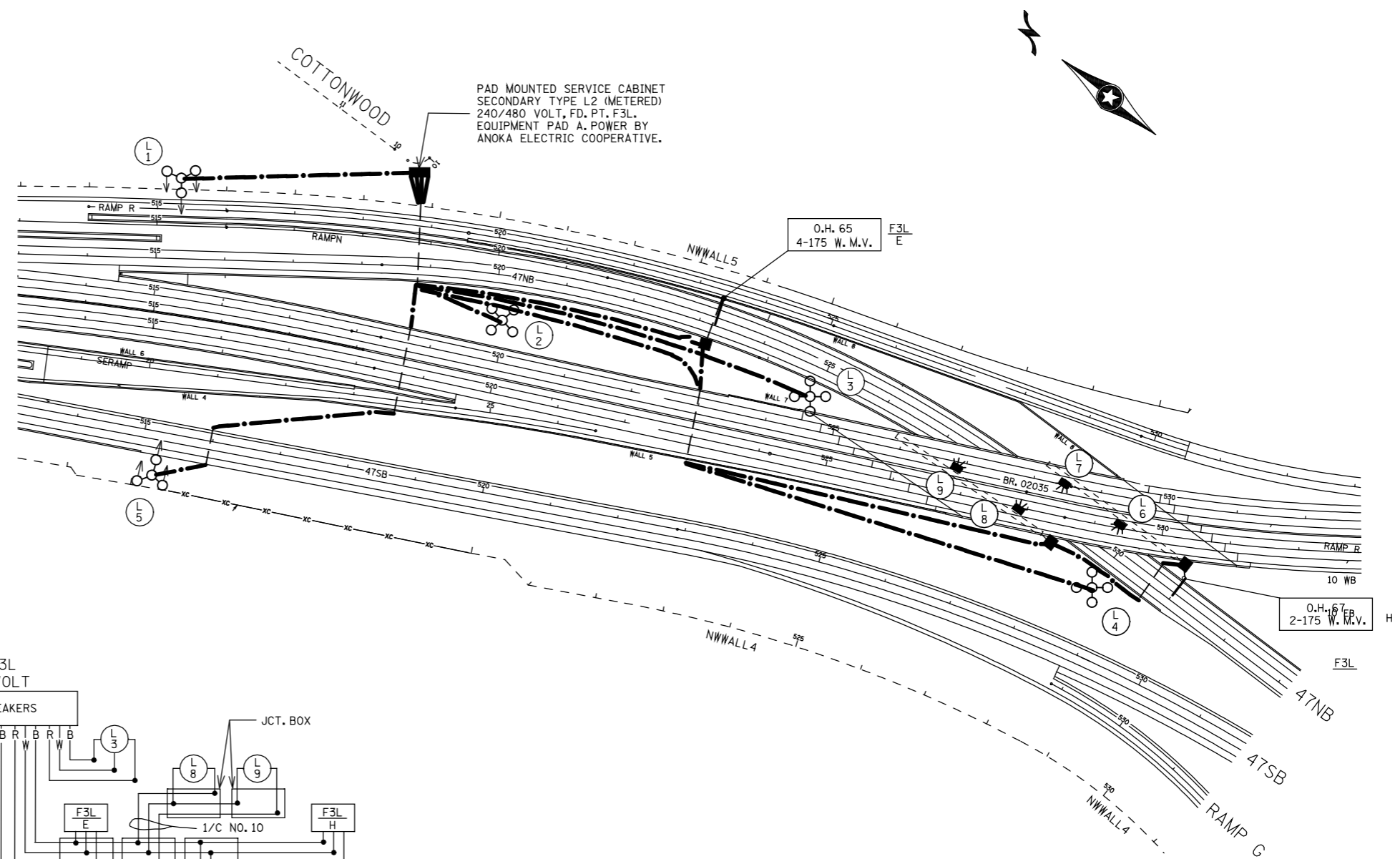


FD.PT. F3L

LIGHTING STANDARDS AND BASES					
NO.	STATION	LT.	RT.	LOCATION	TYPE
(4)	1	515+20	38	RAMP R	3-100
(4)	2	520+00	65	T.H. 10 W.B.	4-120
(4)	3	524+50	67	T.H. 10 W.B.	4-120
(4)	4	530+00	52	T.H. 47 N.B.	4-120
(4)	5	515+20	70	T.H. 47 S.B.	3-100
(1)	6	AS SHOWN	-	T.H. 47 N.B.	L
(1)	7	AS SHOWN	-	T.H. 47 N.B.	L
(1)	8	AS SHOWN	-	T.H. 47 N.B.	L
(1)	9	AS SHOWN	-	T.H. 47 N.B.	L

- (1) 200 WATT HIGH PRESSURE SODIUM UNDERPASS LIGHT
- (4) FINAL LOCATION AND DISTANCE OUT AS DIRECTED BY THE ENGINEER



B AND R DENOTE CURRENT CARRYING CONDUCTORS
W DENOTES NEUTRAL CONDUCTOR

T.H. 10 & T.H. 47 RAMPS
IN COON RAPIDS
ANOKA ELECTRIC COOP
METERED

FD.PT. F3L