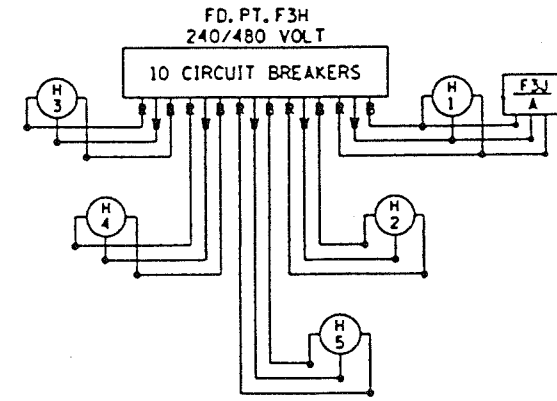
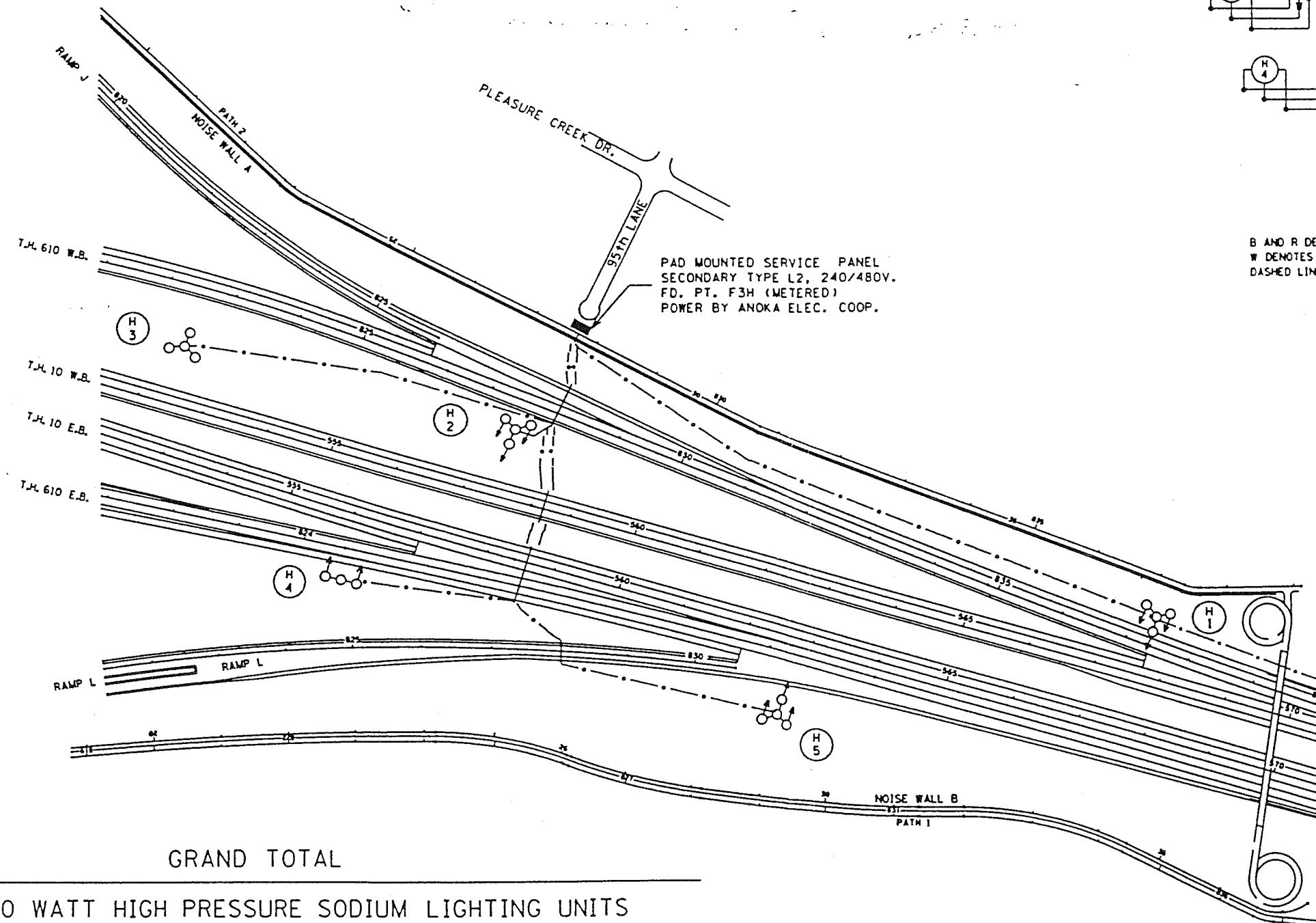


14 - 1000 WATT HIGH PRESSURE SODIUM LIGHTING UNITS  
 6 - 175 WATT MERCURY VAPOR SIGN LIGHTS



B AND R DENOTE CURRENT CARRYING CONDUCTORS  
 W DENOTES NEUTRAL CONDUCTOR  
 DASHED LINES DENOTE INPLACE OR BY OTHERS



PAD MOUNTED SERVICE PANEL  
 SECONDARY TYPE L2, 240/480V.  
 FD. PT. F3H (METERED)  
 POWER BY ANOKA ELEC. COOP.

FD. PT. F3H

LIGHTING STANDARDS AND BASES				
NO.	STATION	LT. RT.	LOCATION	TYPE
1	837+40	52	T.H. 610 W.B.	3-100
2	827+50	52	T.H. 610 W.B.	3-100
3	822+45	95	T.H. 610 W.B.	3-100
4	824+65	52	T.H. 610 E.B.	2-100
5	562+80	115	T.H. 10 E.B.	3-100

GRAND TOTAL

104 - 1000 WATT HIGH PRESSURE SODIUM LIGHTING UNITS  
 16 - 200 WATT HIGH PRESSURE SODIUM UNDERPASS LIGHTS  
 14 - 175 WATT MERCURY VAPOR SIGN LIGHTS

EXHIBIT 16B  
 T.H. 10 & T.H. 610  
 IN COON RAPIDS  
 ANOKA ELECTRIC COOP  
 METERED

FD. PT. F3H