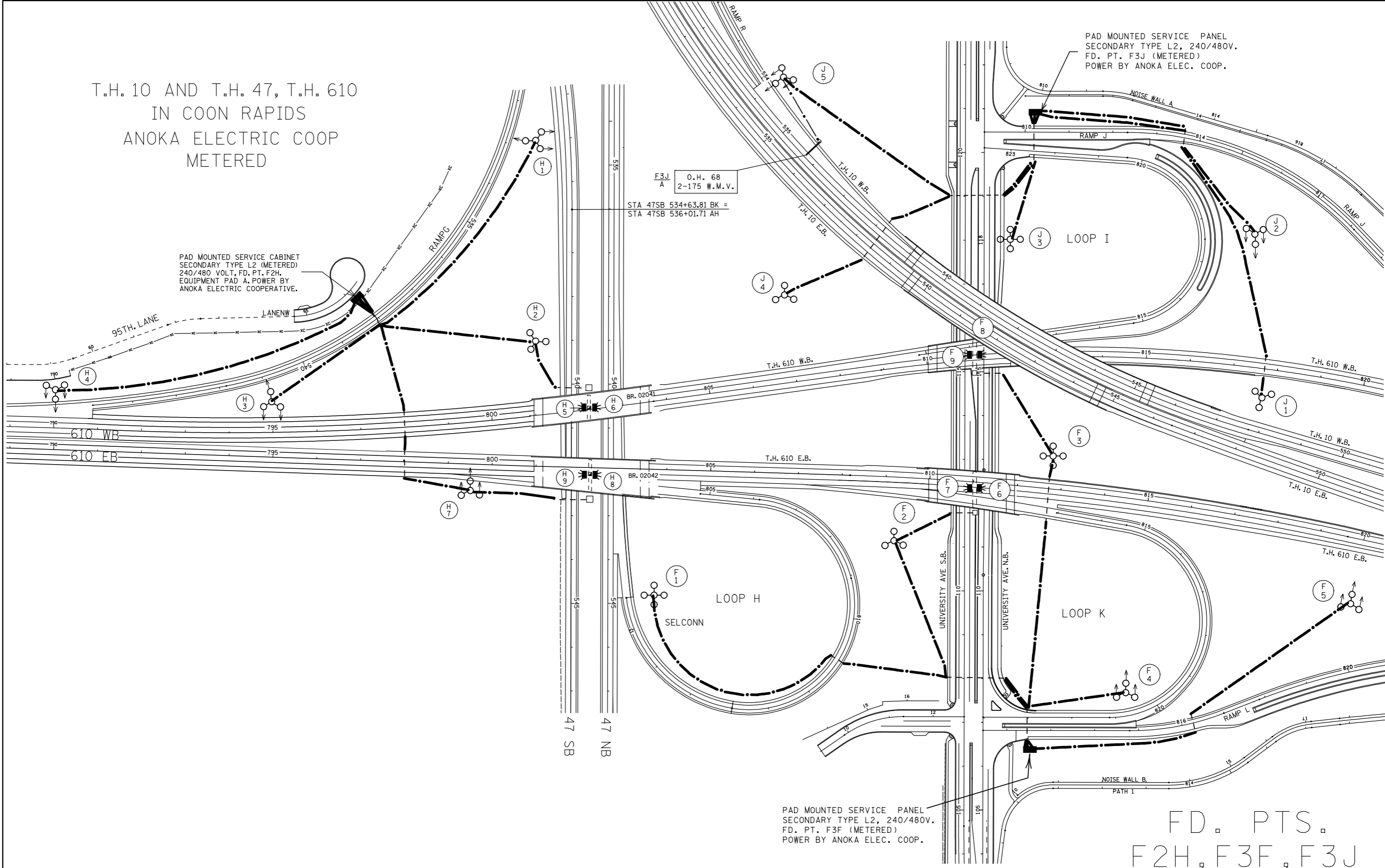


T.H. 10 AND T.H. 47, T.H. 610
IN COON RAPIDS
ANOKA ELECTRIC COOP
METERED



PAD MOUNTED SERVICE CABINET
SECONDARY TYPE L2 (METERED)
240/480 VOLT, FD. PT. F2H.
EQUIPMENT PAD A. POWER BY
ANOKA ELECTRIC COOPERATIVE.

F3J
A O.H. 68
2-175 W.M.V.

STA 47SB 534+63.81 BK =
STA 47SB 536+01.71 AH

PAD MOUNTED SERVICE PANEL
SECONDARY TYPE L2, 240/480V.
FD. PT. F3J (METERED)
POWER BY ANOKA ELEC. COOP.

PAD MOUNTED SERVICE PANEL
SECONDARY TYPE L2, 240/480V.
FD. PT. F3F (METERED)
POWER BY ANOKA ELEC. COOP.

FD. PTS.
F2H, F3F, F3J

FD. PT. F2H
LIGHTING STANDARDS AND BASES

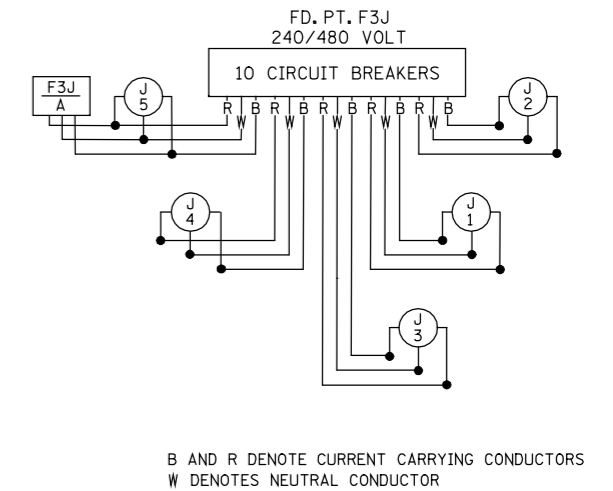
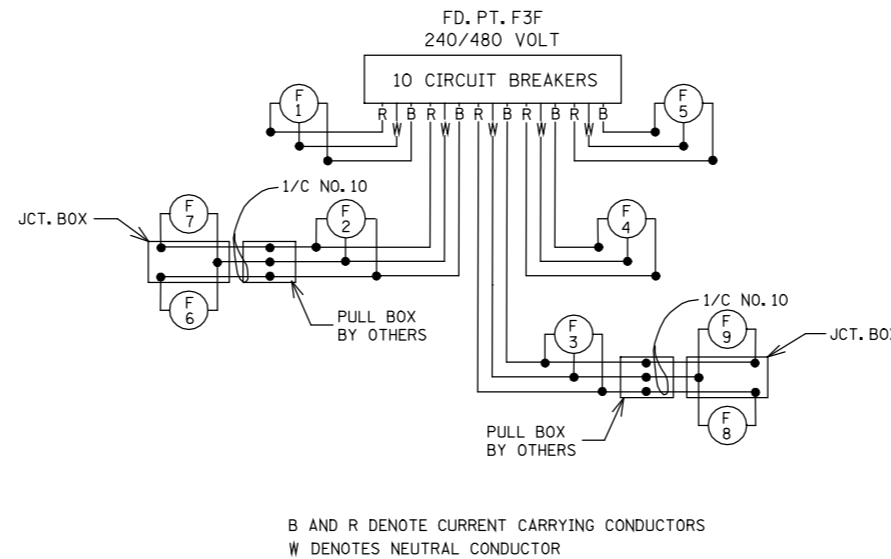
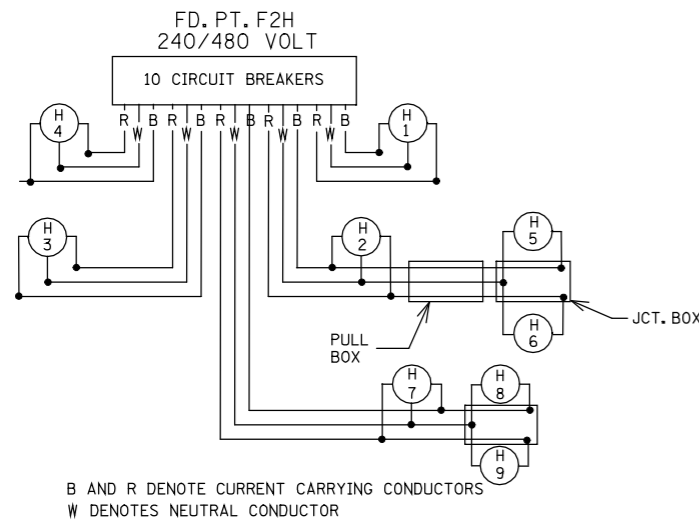
NO.	STATION	LT.	RT.	LOCATION	TYPE
1-6	BY OTHERS				
7	799+55		64	T.H. 610 E.B.	3-100
8	540+65		-	T.H. 47 N.B.	L
9	540+65		-	T.H. 47 S.B.	L

FD. PT. F3F
LIGHTING STANDARDS AND BASES

NO.	STATION	LT.	RT.	LOCATION	TYPE
1	817+57		60	LOOP H	4-120
2	809+25		145	T.H. 610 E.B.	3-100
3	812+75	80		T.H. 610 E.B.	4-120
4	820+65		55	LOOP K	3-100
5	820+00		145	T.H. 610 E.B.	3-120
6	112+30	-		UNIV. AVE. N.B.	L
7	112+30	-		UNIV. AVE. S.B.	L
8	115+50	-		UNIV. AVE. N.B.	L
9	115+50	-		UNIV. AVE. S.B.	L

FD. PT. F3J
LIGHTING STANDARDS AND BASES

NO.	STATION	LT.	RT.	LOCATION	TYPE
1	817+75		65	T.H. 610 W.B.	3-100
2	817+55		120	LOOP I	3-100
3	118+00		60	UNIV. AVE. N.B.	4-120
4	807+00	200		T.H. 610 W.B.	3-100
5	534+00	80		T.H. 10 W.B.	3-100



SEE PAGE 1

T.H. 10 AND T.H. 47, T.H. 610
IN COON RAPIDS
ANOKA ELECTRIC COOP
METERED

FD. PTS. F2H, F3F, F3J