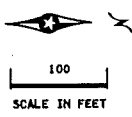
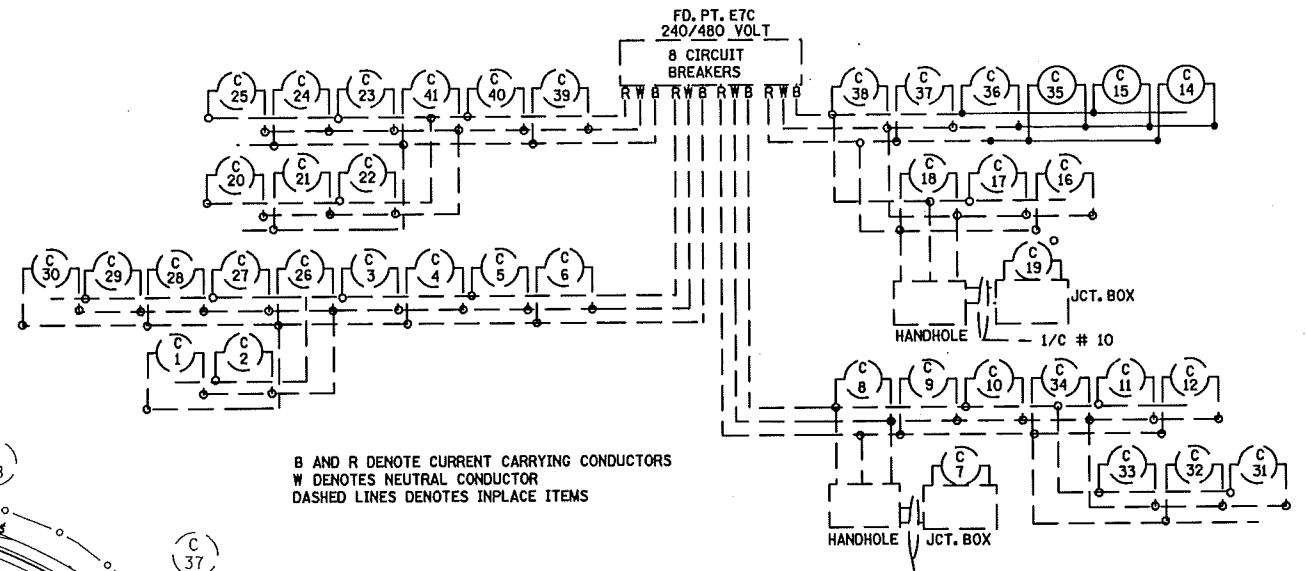


LEGEND

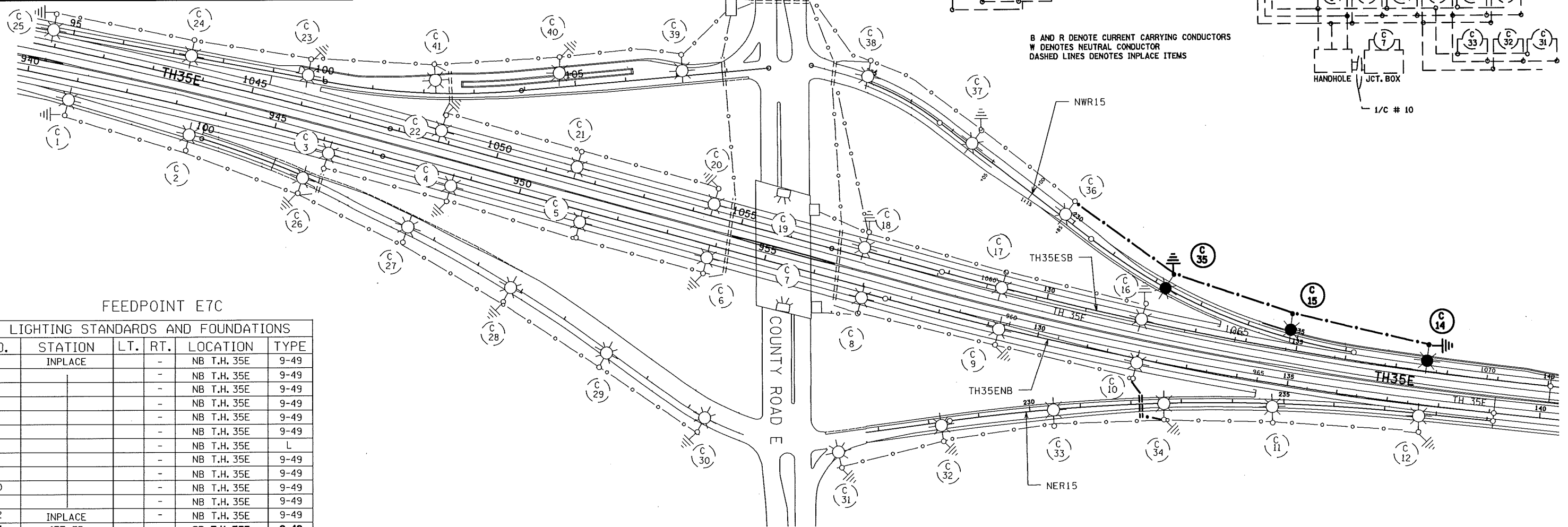
- INPLACE LIGHTING UNIT
- INPLACE DIRECT BURIED CABLE
- INPLACE SERVICE CABINET
- INSTALL SALVAGED LIGHTING UNIT
- DIRECT BURIED CABLE 4 CONDUCTOR NO. 4
- PERMANENT GROUND ROD (25 OHMS OR LESS)
- 3" PVC (UNLESS OTHERWISE NOTED)



INPLACE FEEDPOINT E7C
PAD MOUNTED 240/480 VOLT



B AND R DENOTE CURRENT CARRYING CONDUCTORS
W DENOTES NEUTRAL CONDUCTOR
DASHED LINES DENOTES INPLACE ITEMS



FEEDPOINT E7C

LIGHTING STANDARDS AND FOUNDATIONS

NO.	STATION	LT.	RT.	LOCATION	TYPE
1	INPLACE	-	-	NB T.H. 35E	9-49
2		-	-	NB T.H. 35E	9-49
3		-	-	NB T.H. 35E	9-49
4		-	-	NB T.H. 35E	9-49
5		-	-	NB T.H. 35E	9-49
6		-	-	NB T.H. 35E	9-49
7		-	-	NB T.H. 35E	L
8		-	-	NB T.H. 35E	9-49
9		-	-	NB T.H. 35E	9-49
10		-	-	NB T.H. 35E	9-49
11		-	-	NB T.H. 35E	9-49
12	INPLACE	-	-	NB T.H. 35E	9-49
14	137+55	-	-	SB T.H. 35E	9-49
15	234+75	-	-	NWR15	9-49
16	INPLACE	-	-	SB T.H. 35E	9-49
17		-	-	SB T.H. 35E	9-49
18		-	-	SB T.H. 35E	9-49
19		-	-	SB T.H. 35E	L
20		-	-	SB T.H. 35E	9-49
21		-	-	SB T.H. 35E	9-49
22		-	-	SB T.H. 35E	9-49
23		-	-	SB T.H. 35E	9-49
24		-	-	SB T.H. 35E	9-49
25		-	-	SB T.H. 35E	9-49
26		-	-	SE RAMP	9-40
27		-	-	SE RAMP	9-40
28		-	-	SE RAMP	9-40
29	INPLACE	-	-	SE RAMP	9-40

FEEDPOINT E7C

LIGHTING STANDARDS AND FOUNDATIONS

NO.	STATION	LT.	RT.	LOCATION	TYPE
30	INPLACE	-	-	SE RAMP	9-40
31		-	-	NE RAMP	9-40
32		-	-	NE RAMP	9-40
33		-	-	NE RAMP	9-40
34	INPLACE	-	-	NE RAMP	9-40
35	232+25	-	-	NWR15	9-40
36	INPLACE	-	-	NW RAMP	9-40
37		-	-	NW RAMP	9-40
38		-	-	NW RAMP	9-40
39		-	-	SW RAMP	9-40
40		-	-	SW RAMP	9-40
41	INPLACE	-	-	SW RAMP	9-40

FEED POINT E7C

DISTRICT #: METRO
 IPLOT NAME: E7C Layout
 PATH & FILENAME: IP_PWP-d16411316281-25.l11.dgn
 PLOTTED/REVISED: 3/18/2015

BY	DATE	REVISIONS	FEEDPOINT: E7C LOCATION: TH 35E AT CSAH 15/COUNTY RD E METER ADDRESS: 820 CO RD E, RAMSEY COUNTY	LIGHTING PLAN
DRAWN BY: SJK CKD BY: PB DATE: 03-03-15			CERTIFIED BY: <i>Michael P. Lubinsky</i> LIC. NO. 19863 DATE: 3/18/2015 <small>LICENSED PROFESSIONAL ENGINEER</small>	
STATE PROJ.NO. 6281-25 (T.H. 35E) SHEET NO. SL5 OF SL7 SHEETS				