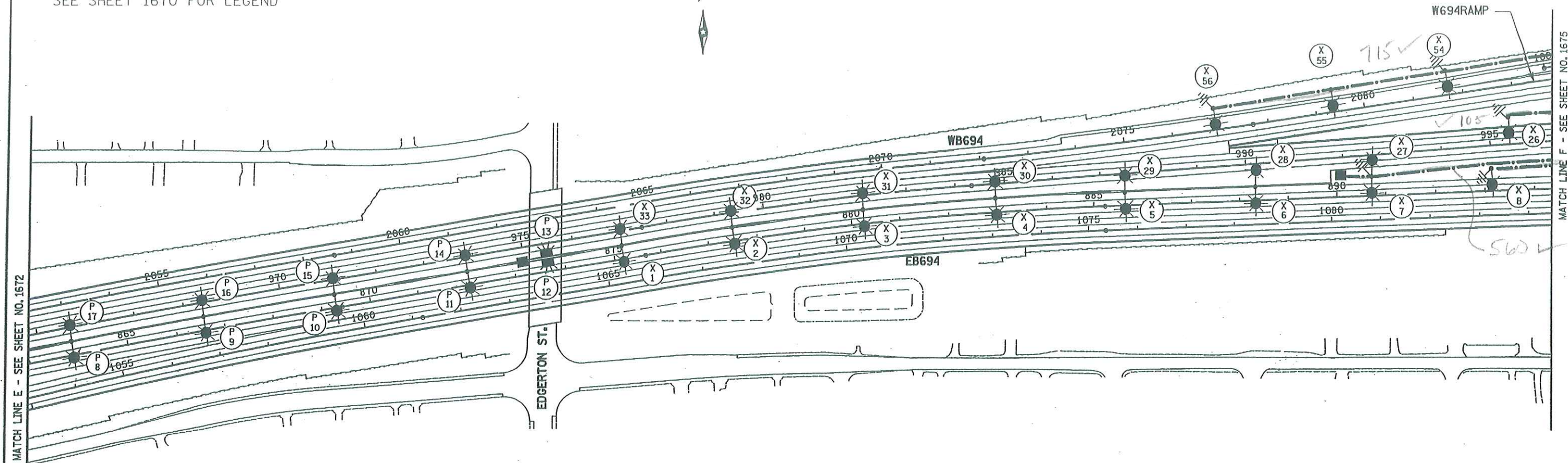


SEE SHEET 1670 FOR LEGEND



MATCH LINE E - SEE SHEET NO. 1672

MATCH LINE F - SEE SHEET NO. 1675

FEEDPOINT E6X

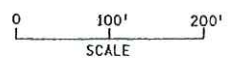
LIGHTING STANDARDS AND BASES						
NO.	STATION	LT.	RT.	LOCATION	TYPE	WATTAGE
(1)	1			NB T.H. 35E MED.	9BD-49	400
	33					
(1)	2			NB T.H. 35E MED.	9BD-49	400
	32					
(1)	3			NB T.H. 35E MED.	9BD-49	400
	31					
(1)	4			NB T.H. 35E MED.	9BD-49	400
	30					
(1)	5			NB T.H. 35E MED.	9BD-49	400
	29					
(1)	6			NB T.H. 35E MED.	9BD-49	400
	28					
	7			NB T.H. 35E MED.	9D-49	400
	27					
	8	-	-	NB T.H. 35E	9-49	400
	9	-	-	NB T.H. 35E	9-49	400
	10	-	-	NB T.H. 35E	9-49	400
	11	-	-	NB T.H. 35E	9-49	400
	12	-	-	NB T.H. 35E	9-49	400
	13	-	-	NB T.H. 35E	L	250
	14	-	-	NB T.H. 35E	9-49	400
	15	-	-	NB T.H. 35E	9-49	400
	16	-	-	NB T.H. 35E	9-49	400
	17	-	-	SB T.H. 35E	9-49	400
	18	-	-	SB T.H. 35E	9-49	400
	19	-	-	SB T.H. 35E	9-49	400
	20	-	-	SB T.H. 35E	9-49	400
	21	-	-	SB T.H. 35E	9-49	400

(1) ANCHORAGE BY OTHERS

FEEDPOINT E6X

LIGHTING STANDARDS AND BASES						
NO.	STATION	LT.	RT.	LOCATION	TYPE	WATTAGE
	22			SB T.H. 35E	L	250
	23	-	-	SB T.H. 35E	9-49	400
	24	-	-	SB T.H. 35E	9-49	400
	25	-	-	SB T.H. 35E	9-49	400
	26	-	-	SB T.H. 35E	9-49	400
	34	-	-	EB T.H. 694	9-49	400
	35	-	-	EB T.H. 694	9-49	400
	36	-	-	EB T.H. 694	9-49	400
	37	-	-	EB T.H. 694	9-49	400
	38	-	-	EB T.H. 694	9-49	400
	39	-	-	EB T.H. 694	9-49	400
	40	-	-	WB T.H. 694	9-49	400
	41	-	-	WB T.H. 694	9-49	400
(1)	42	-	-	WB T.H. 694	6B-40	250
(1)	43	-	-	WB T.H. 694	6B-40	250
(1)	44	-	-	WB T.H. 694	6B-40	250
	45	-	-	WB T.H. 694	9-49	400
	46	-	-	W694RAMP	9-40	250
	47	-	-	W694RAMP	9-40	250
	48	-	-	W694RAMP	9-40	250
	49	-	-	W694RAMP	9-40	250
	50	-	-	W694RAMP	9-40	250
	51	-	-	W694RAMP	9-40	250
	52	-	-	W694RAMP	9-40	250
	53	-	-	W694RAMP	9-40	250
	54	-	-	WB T.H. 694	9-40	250
	55	-	-	WB T.H. 694	9-40	250
	56	-	-	WB T.H. 694	9-40	250

(1) ANCHORAGE BY OTHERS



CERTIFIED BY *John A. Beirich*
 LICENSED PROFESSIONAL ENGINEER

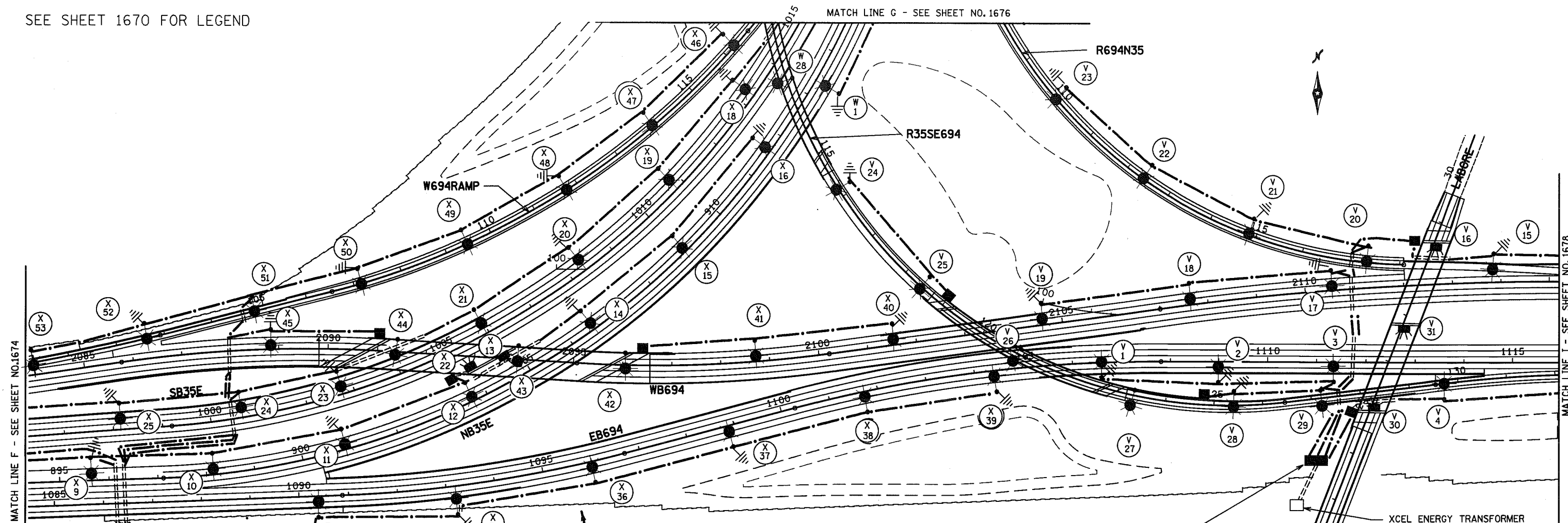
LIC. NO. 23084

State Proj. No. 6280-304 (I-35E & I-694) Sheet No. 1674 of 1992 Sheets

LIGHTING PLAN

SEE SHEET 1670 FOR LEGEND

MATCH LINE G - SEE SHEET NO. 1676



MATCH LINE F - SEE SHEET NO. 1674

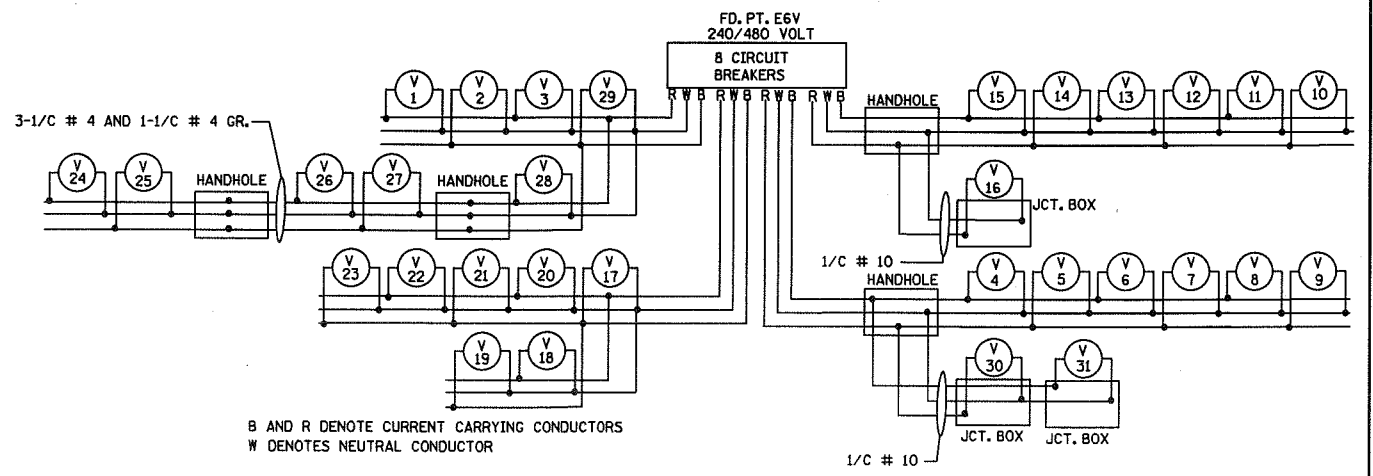
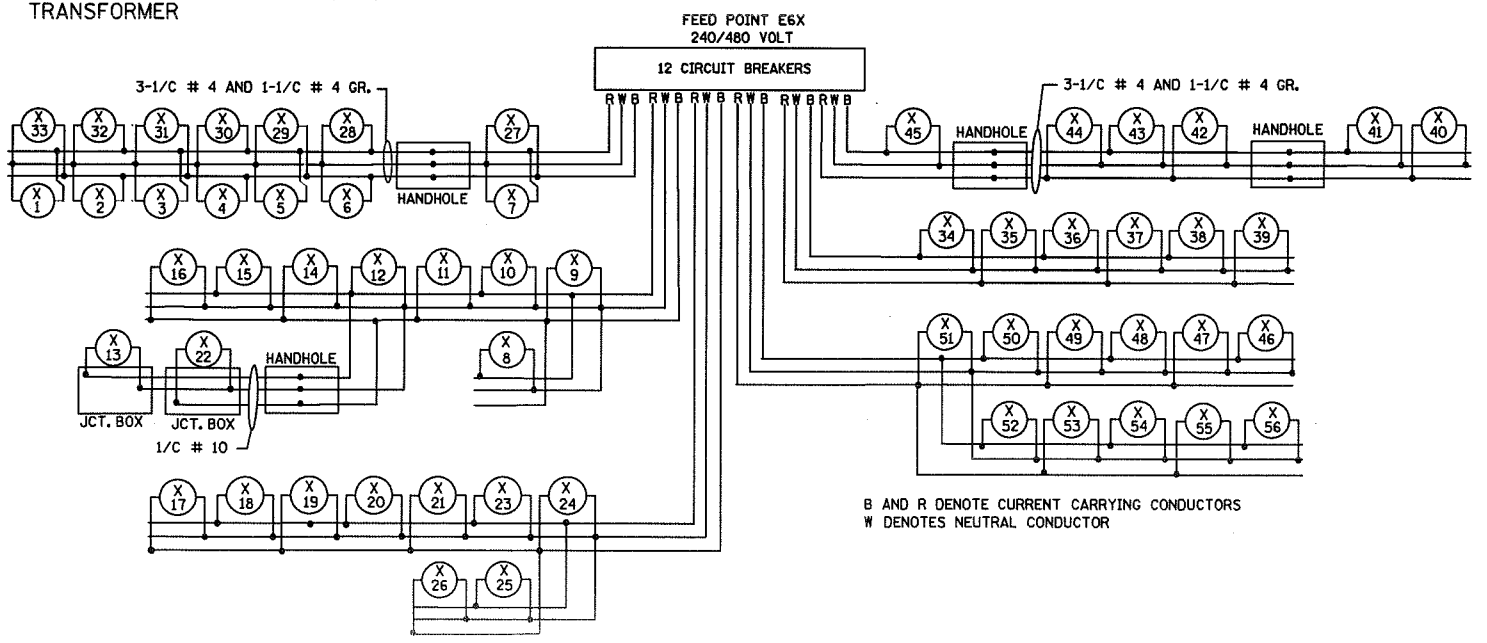
MATCH LINE I - SEE SHEET NO. 1678

3 TRENCHES +/- 2 FT APART

PAD MOUNTED SOURCE OF POWER
SERVICE CABINET SECONDARY TYPE L2
240/480 VOLT, METERED FD.PT. E6X
EQUIPMENT PAD B REQUIRED
2" R.S.C. AND 3-1/C # 3/0 TO
TRANSFORMER

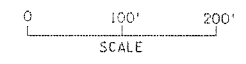
INPLACE XCEL ENERGY PAD
MOUNTED TRANSFORMER

PAD MOUNTED SOURCE OF POWER
SERVICE CABINET SECONDARY TYPE L1
2" R.S.C. AND 3-1/ # 2 TO TRANSFORMER
240/480 VOLT, METERED FD.PT. E6V
COMBINED EQUIPMENT PAD FOR LIGHTING AND TMC
SEE PAD DETAIL ON SHEET NO. 1669



B AND R DENOTE CURRENT CARRYING CONDUCTORS
W DENOTES NEUTRAL CONDUCTOR

B AND R DENOTE CURRENT CARRYING CONDUCTORS
W DENOTES NEUTRAL CONDUCTOR



AS-BUILT 12/2010

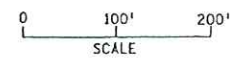
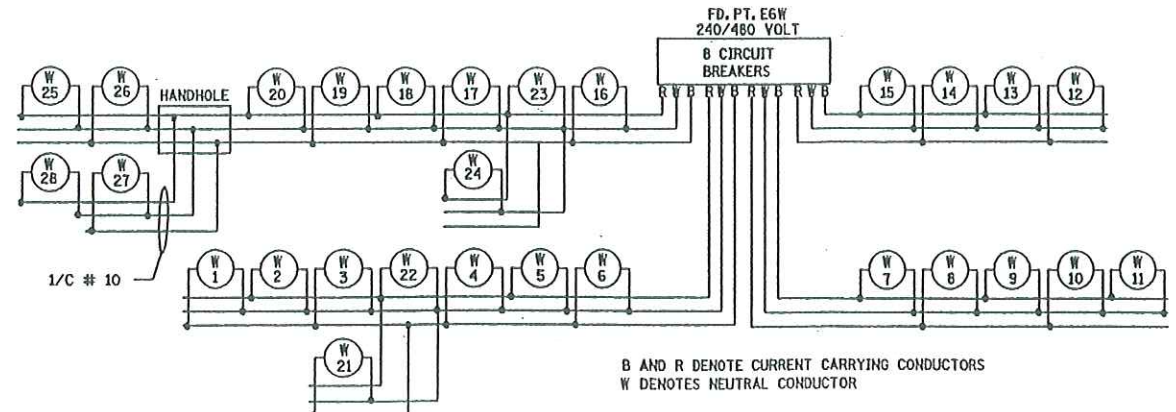
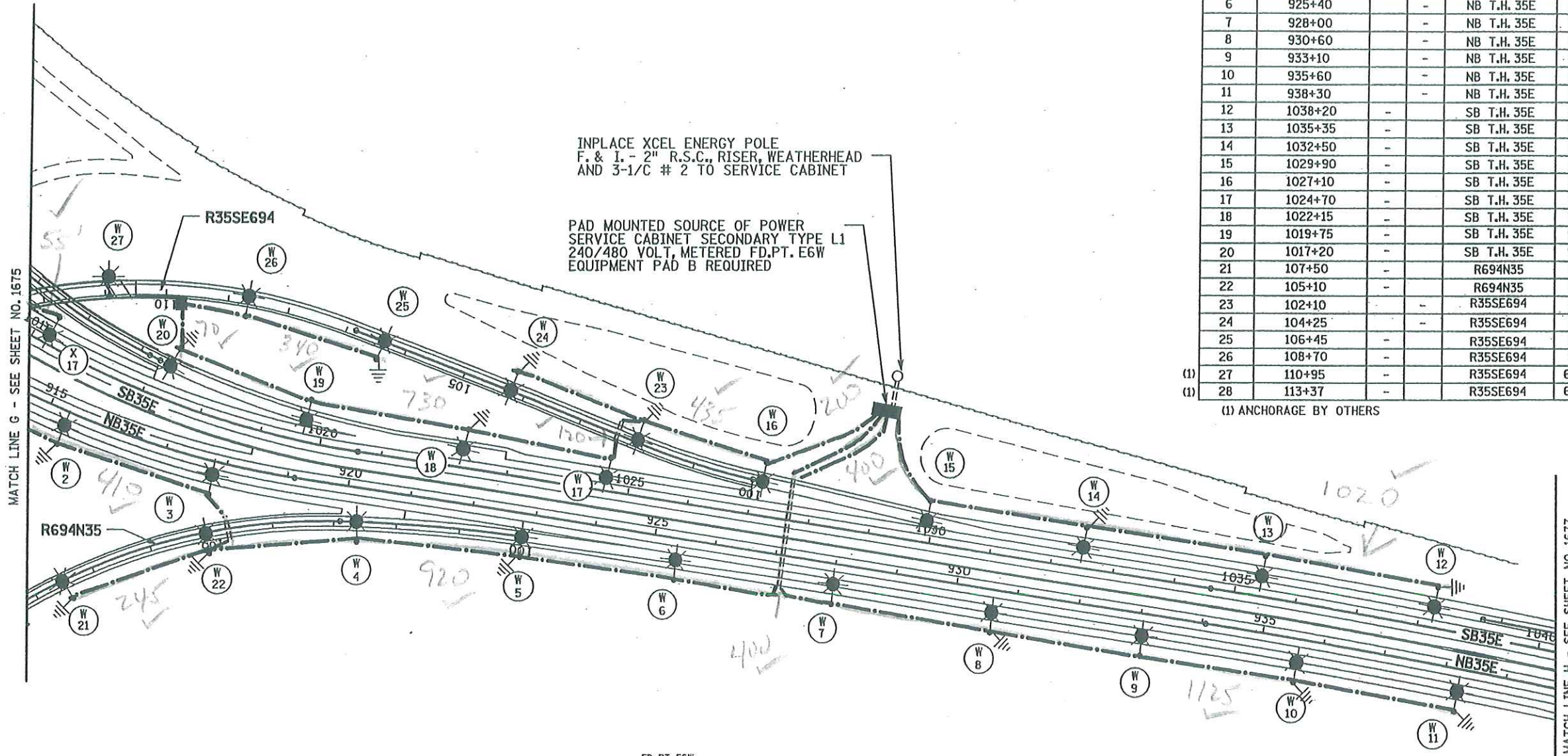
LIGHTING PLAN

SEE SHEET 1670 FOR LEGEND

FEEDPOINT E6W

LIGHTING STANDARDS AND BASES					
NO.	STATION	LT.	RT.	LOCATION	WATTAGE
1	913+30	-	-	NB T.H. 35E	9-49 400
2	915+60	-	-	NB T.H. 35E	9-49 400
3	917+90	-	-	NB T.H. 35E	9-49 400
4	102+65	-	-	NB T.H. 35E	9-49 400
5	100+00	-	-	NB T.H. 35E	9-49 400
6	925+40	-	-	NB T.H. 35E	9-49 400
7	928+00	-	-	NB T.H. 35E	9-49 400
8	930+60	-	-	NB T.H. 35E	9-49 400
9	933+10	-	-	NB T.H. 35E	9-49 400
10	935+60	-	-	NB T.H. 35E	9-49 400
11	938+30	-	-	NB T.H. 35E	9-49 400
12	1038+20	-	-	SB T.H. 35E	9-49 400
13	1035+35	-	-	SB T.H. 35E	9-49 400
14	1032+50	-	-	SB T.H. 35E	9-49 400
15	1029+90	-	-	SB T.H. 35E	9-49 400
16	1027+10	-	-	SB T.H. 35E	9-49 400
17	1024+70	-	-	SB T.H. 35E	9-49 400
18	1022+15	-	-	SB T.H. 35E	9-49 400
19	1019+75	-	-	SB T.H. 35E	9-49 400
20	1017+20	-	-	SB T.H. 35E	9-49 400
21	107+50	-	-	R694N35	9-40 250
22	105+10	-	-	R694N35	9-40 250
23	102+10	-	-	R35SE694	9-40 250
24	104+25	-	-	R35SE694	9-40 250
25	106+45	-	-	R35SE694	9-40 250
26	108+70	-	-	R35SE694	9-40 250
(1) 27	110+95	-	-	R35SE694	6B-40 250
(1) 28	113+37	-	-	R35SE694	6B-40 250

(1) ANCHORAGE BY OTHERS



LIGHTING PLAN