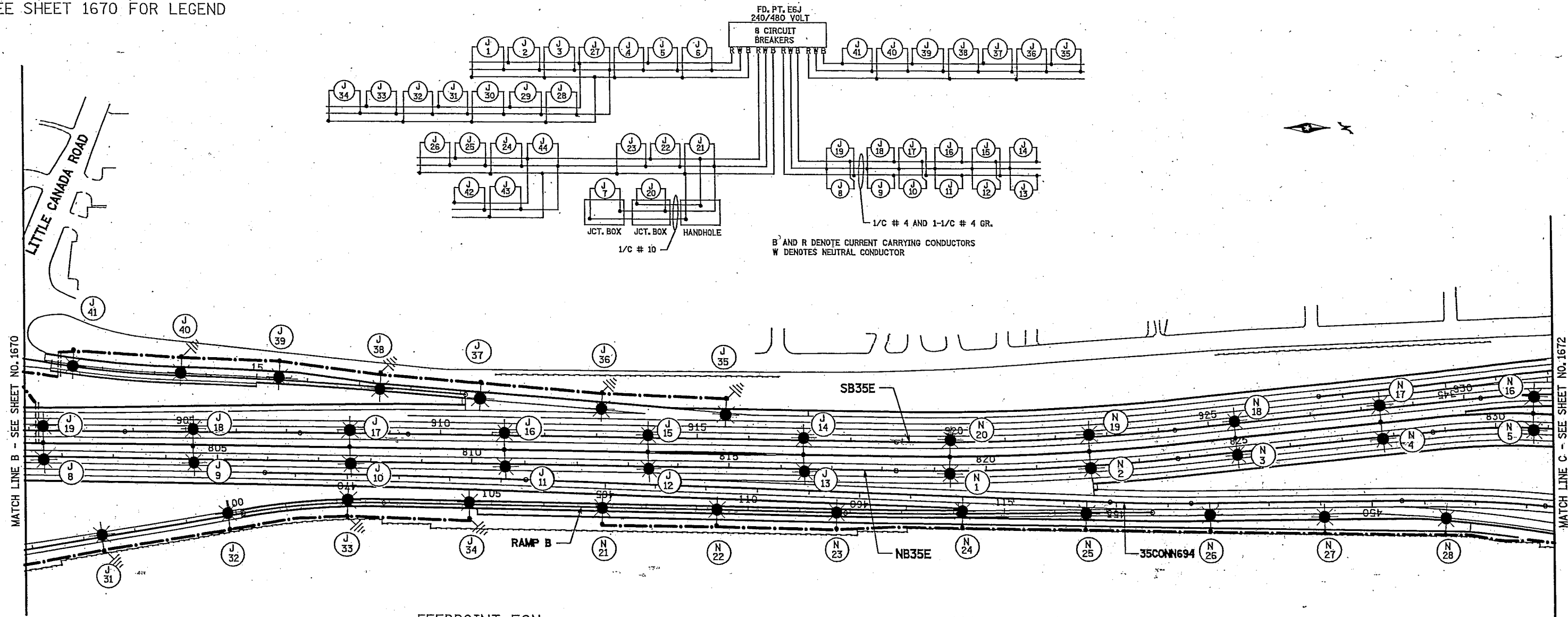


SEE SHEET 1670 FOR LEGEND



FEEDPOINT E6N

LIGHTING STANDARDS AND BASES						
NO.	STATION	LT.	RT.	LOCATION	TYPE	WATTAGE
(1)	1			NB T.H. 35E MED.	9BD-49	400
	20					
(1)	2			NB T.H. 35E MED.	9BD-49	400
	19					
(1)	3			NB T.H. 35E MED.	9BD-49	400
	18					
(1)	4			NB T.H. 35E MED.	9BD-49	400
	17					
(1)	5			NB T.H. 35E MED.	9BD-49	400
	16					
	6			NB T.H. 35E	9-49	400
	7			NB T.H. 35E	9-49	400
	8			NB T.H. 35E	9-49	400
	9			NB T.H. 35E	9-49	400
	10			NB T.H. 35E	9-49	400
	11			SB T.H. 35E	9-49	400
	12			SB T.H. 35E	9-49	400
	13			SB T.H. 35E	9-49	400
	14			SB T.H. 35E	9-49	400
	15			SB T.H. 35E	9-49	400
(2)	21			RAMP B	9-40	250
(2)	22			RAMP B	9-40	250
(2)	23			RAMP B	9-40	250
(2)	24			RAMP B	9-40	400

(1) ANCHORAGE BY OTHERS
(2) SEE SHEET NO. 1668 FOR ACTUAL POLE HEIGHT.

FEEDPOINT E6N

LIGHTING STANDARDS AND BASES						
NO.	STATION	LT.	RT.	LOCATION	TYPE	WATTAGE
(2)	25			RAMP B	9-40	400
(2)	26			35CON694	9-40	400
(2)	27			35CON694	9-40	400
(2)	28			35CON694	9-49	400
	29			35CON694	9-49	400
	30			694CONN	9-40	250
	31			694CONN	9-40	250
	32			694CONN	9-40	250
	33			694CONN	9-40	250
	34			694CONN	9-40	250
	35			694CONN	9-40	250
	36			694CONN	9-49	400
	37			EB T.H. 694	9-49	400
	38			EB T.H. 694	9-49	400
	39			EB T.H. 694	9-49	400
(1)	40			35CON694	6B-40	250
(1)	41			35CON694	6B-40	250
(1)	42			35CON694	6B-40	250
(1)	43			35CON694	6B-40	250
(1)	44			35CON694	6B-40	250
(1)	45			35CON694	6B-40	250
(1)	46			35CON694	6B-40	250
(1)	47			35CON694	6B-40	250
(1)	48			35CON694	6B-40	250

(1) ANCHORAGE BY OTHERS
(2) SEE SHEET NO. 1668 FOR ACTUAL POLE HEIGHT.

0 100' 200'
SCALE

CERTIFIED BY: *John A. Bierich*
LIC. NO. 23084

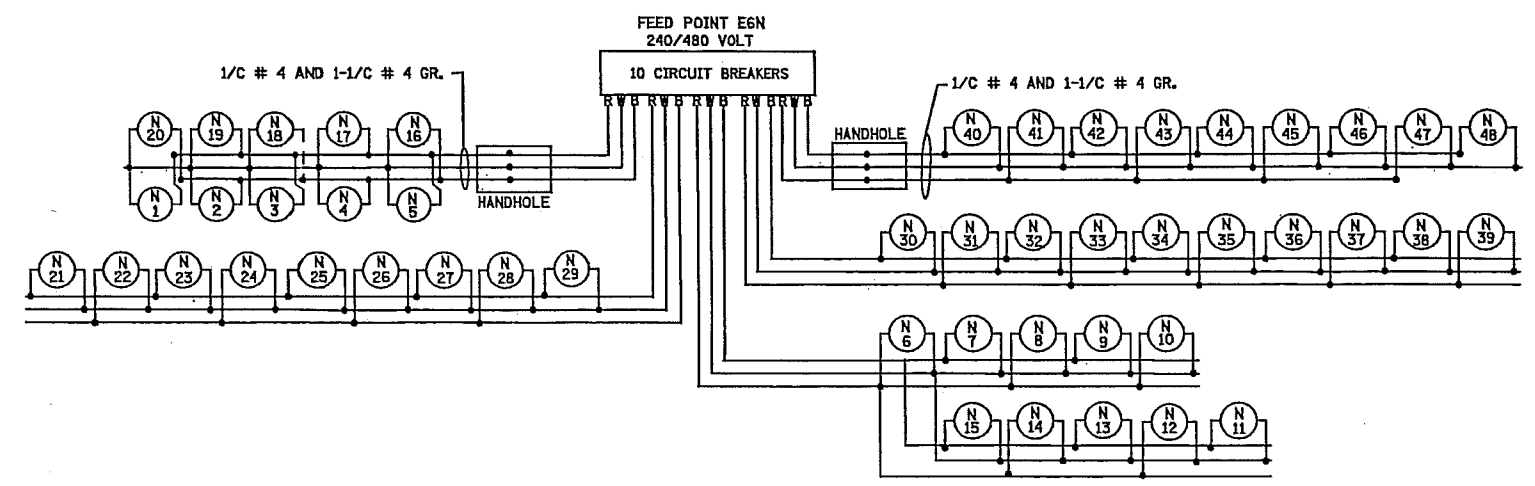
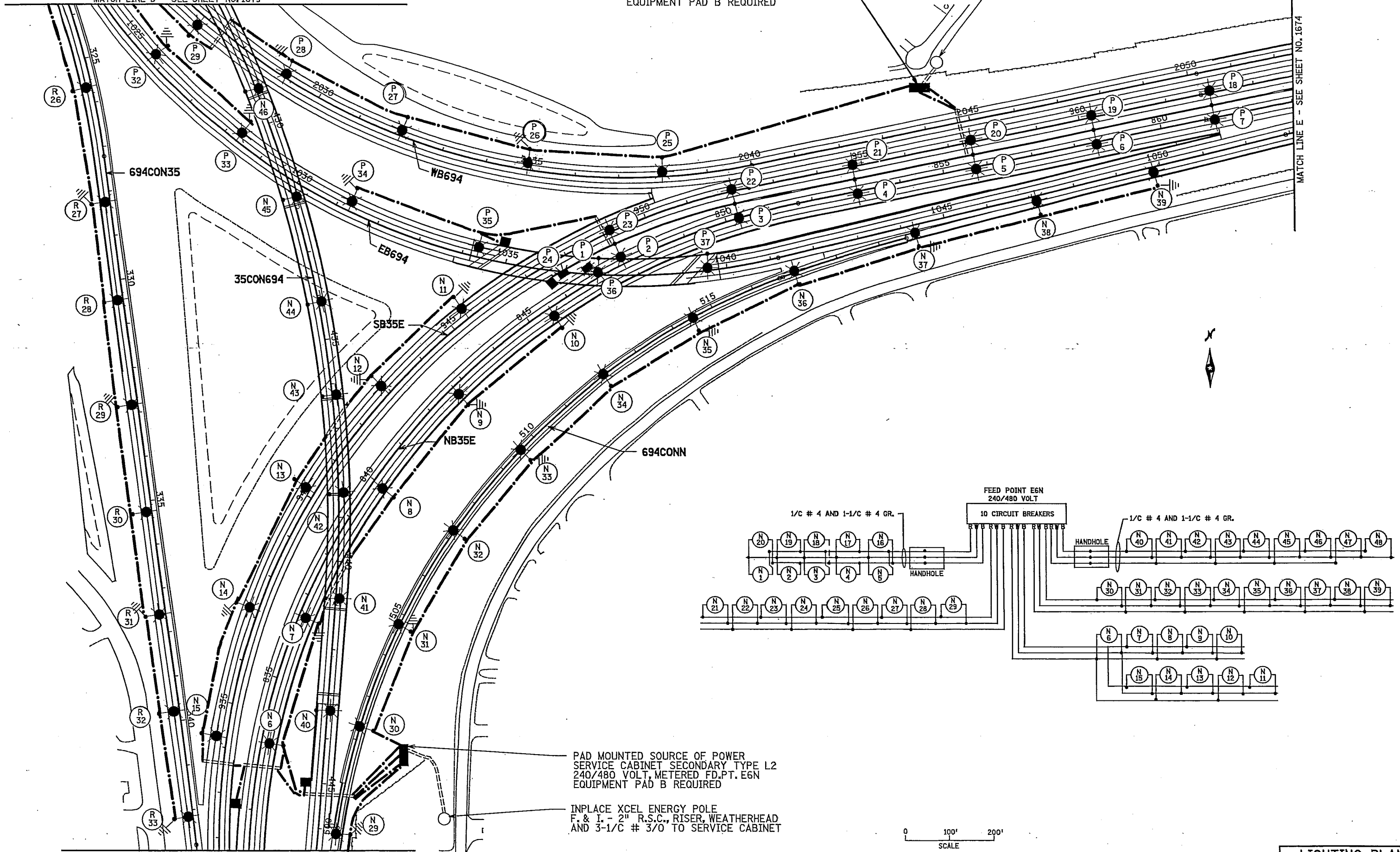
SEE SHEET 1670 FOR LEGEND

PAD MOUNTED SOURCE OF POWER
SERVICE CABINET SECONDARY TYPE L1
240/480 VOLT, METERED FD.PT. E6P
EQUIPMENT PAD B REQUIRED

INPLACE XCEL ENERGY POLE
F. & I. - 2" R.S.C., RISER, WEATHERHEAD
AND 3-1/C # 2 TO SERVICE CABINET

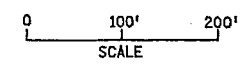
MATCH LINE D - SEE SHEET NO. 1679

MATCH LINE E - SEE SHEET NO. 1674



PAD MOUNTED SOURCE OF POWER
SERVICE CABINET SECONDARY TYPE L2
240/480 VOLT, METERED FD.PT. E6N
EQUIPMENT PAD B REQUIRED

INPLACE XCEL ENERGY POLE
F. & I. - 2" R.S.C., RISER, WEATHERHEAD
AND 3-1/C # 3/0 TO SERVICE CABINET



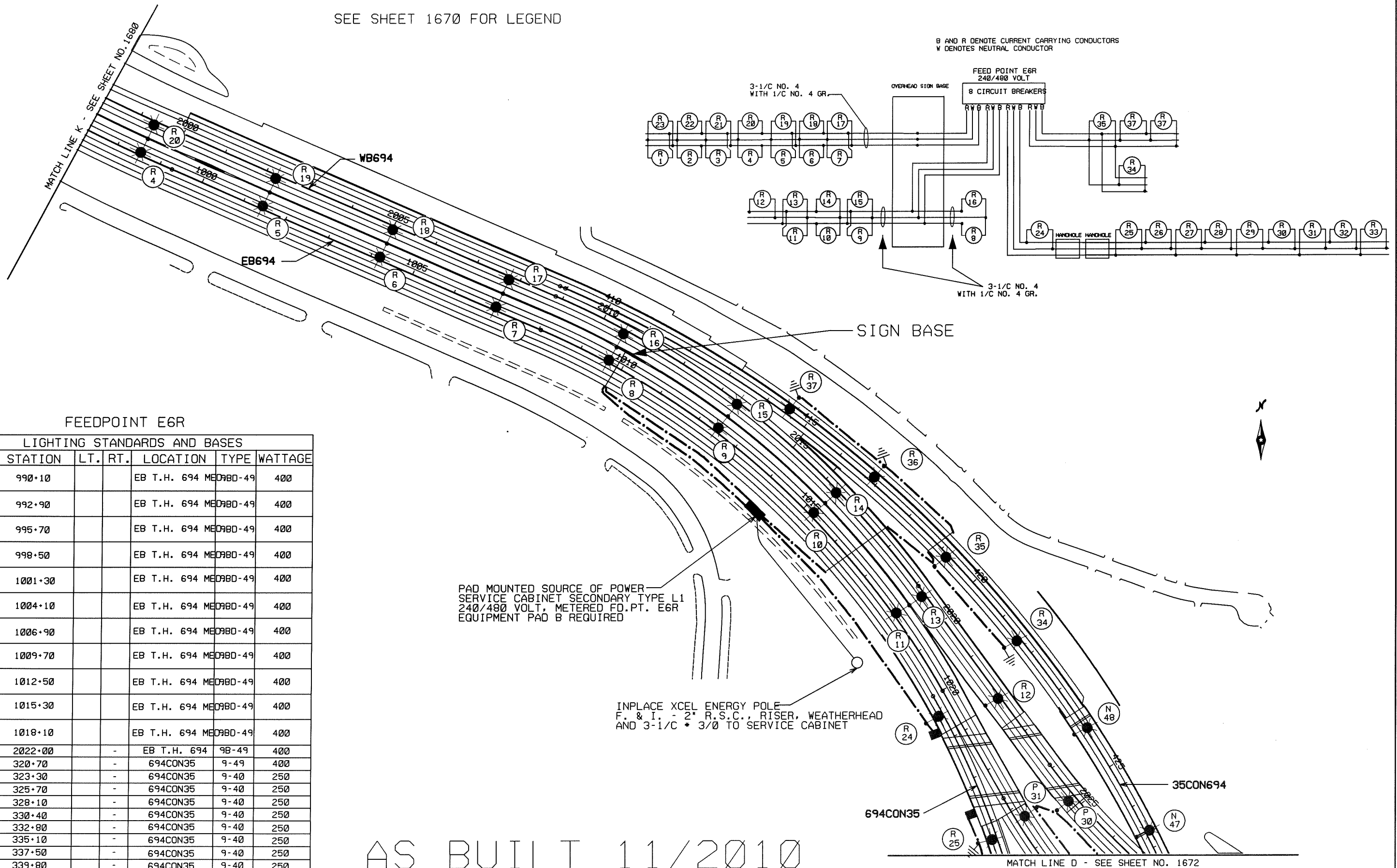
MATCH LINE C - SEE SHEET NO. 1671

CERTIFIED BY *John A. Biernick* LIC. NO. 23084
LICENSED PROFESSIONAL ENGINEER

LIGHTING PLAN

SEE SHEET 1670 FOR LEGEND

B AND R DENOTE CURRENT CARRYING CONDUCTORS
W DENOTES NEUTRAL CONDUCTOR



FEEDPOINT E6R

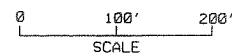
LIGHTING STANDARDS AND BASES

NO.	STATION	LT.	RT.	LOCATION	TYPE	WATTAGE
(1) 23	990+10			EB T.H. 694 MED9BD-49	400	
(1) 2	992+90			EB T.H. 694 MED9BD-49	400	
(1) 21	995+70			EB T.H. 694 MED9BD-49	400	
(1) 4	998+50			EB T.H. 694 MED9BD-49	400	
(1) 19	1001+30			EB T.H. 694 MED9BD-49	400	
(1) 18	1004+10			EB T.H. 694 MED9BD-49	400	
(1) 17	1006+90			EB T.H. 694 MED9BD-49	400	
(1) 16	1009+70			EB T.H. 694 MED9BD-49	400	
(1) 15	1012+50			EB T.H. 694 MED9BD-49	400	
(1) 14	1015+30			EB T.H. 694 MED9BD-49	400	
(1) 13	1018+10			EB T.H. 694 MED9BD-49	400	
(1) 12	2022+00	-	-	EB T.H. 694 9B-49	400	
24	320+70	-	-	694CON35	9-49	400
25	323+30	-	-	694CON35	9-40	250
26	325+70	-	-	694CON35	9-40	250
27	328+10	-	-	694CON35	9-40	250
28	330+40	-	-	694CON35	9-40	250
29	332+80	-	-	694CON35	9-40	250
30	335+10	-	-	694CON35	9-40	250
31	337+50	-	-	694CON35	9-40	250
32	339+80	-	-	694CON35	9-40	250
33	342+15	-	-	694CON35	9-40	250
34	421+65	-	-	35CON694	9-40	250
35	419+25	-	-	35CON694	9-40	250
36	416+85	-	-	35CON694	9-40	250
37	414+45	-	-	35CON694	9-40	250

PAD MOUNTED SOURCE OF POWER - SERVICE CABINET SECONDARY TYPE L1 240/480 VOLT, METERED FD.PT. E6R EQUIPMENT PAD B REQUIRED

INPLACE XCEL ENERGY POLE F. & I. - 2" R.S.C., RISER, WEATHERHEAD AND 3-1/C * 3/0 TO SERVICE CABINET

AS BUILT 11/2010



(1) ANCHORAGE BY OTHERS

LIGHTING PLAN

CERTIFIED BY _____ LICENSED PROFESSIONAL ENGINEER

LIC. NO. 23084

STATE PROJ. NO 6280-304 (I-35E & I-694) SHEET NO. 1679 OF 1992 SHEETS