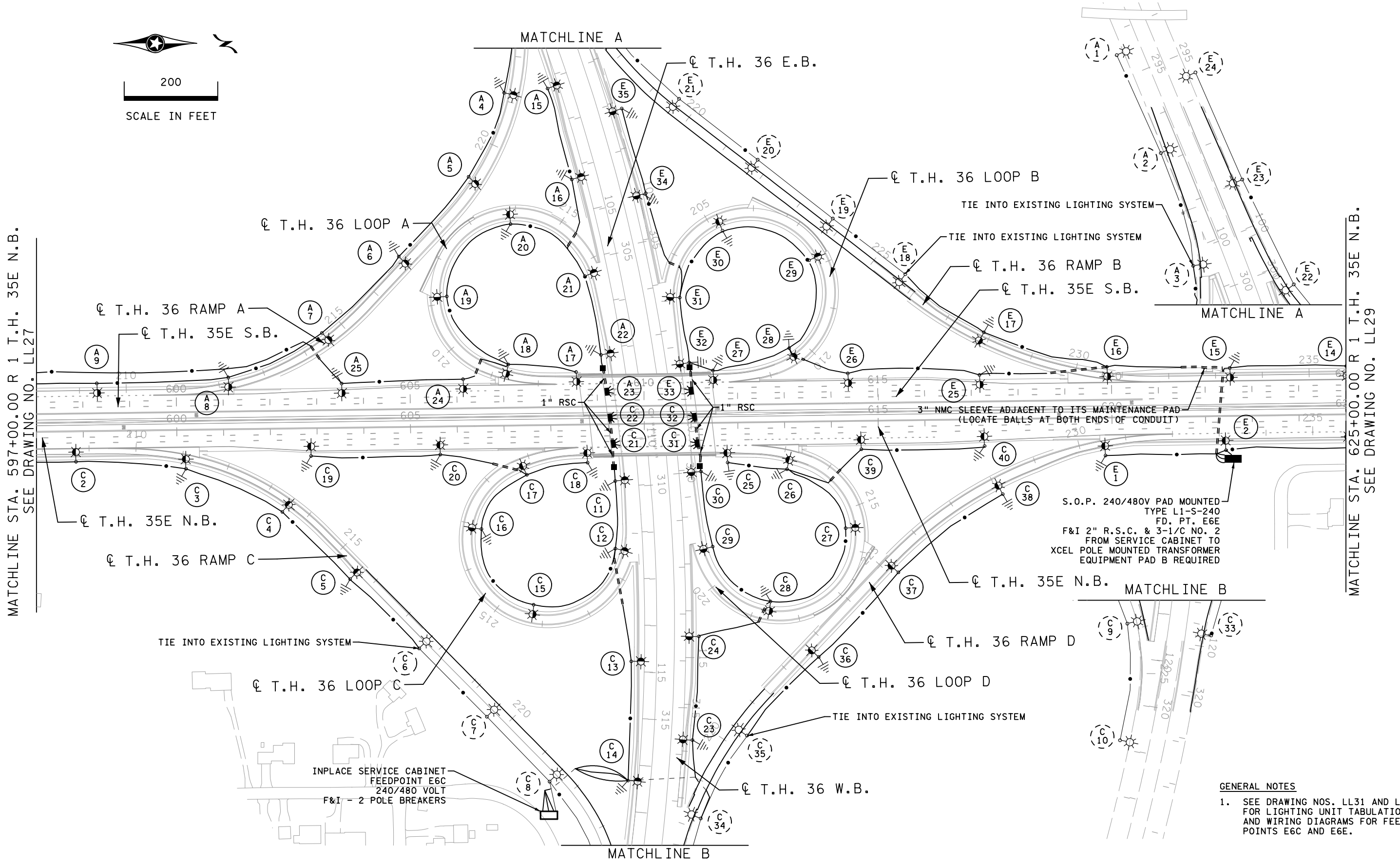


MATCHLINE STA. 597+00.00 R 1 T.H. 35E N.B.
SEE DRAWING NO. LL27

MATCHLINE STA. 625+00.00 R 1 T.H. 35E N.B.
SEE DRAWING NO. LL29



S.O.P. 240/480V PAD MOUNTED
TYPE L1-S-240
FD. PT. E6E
F&I 2" R.S.C. & 3-1/C NO. 2
FROM SERVICE CABINET TO
XCEL POLE MOUNTED TRANSFORMER
EQUIPMENT PAD B REQUIRED

INPLACE SERVICE CABINET
FEEDPOINT E6C
240/480 VOLT
F&I - 2 POLE BREAKERS

- GENERAL NOTES**
- SEE DRAWING NOS. LL31 AND LL32 FOR LIGHTING UNIT TABULATIONS AND WIRING DIAGRAMS FOR FEED POINTS E6C AND E6E.

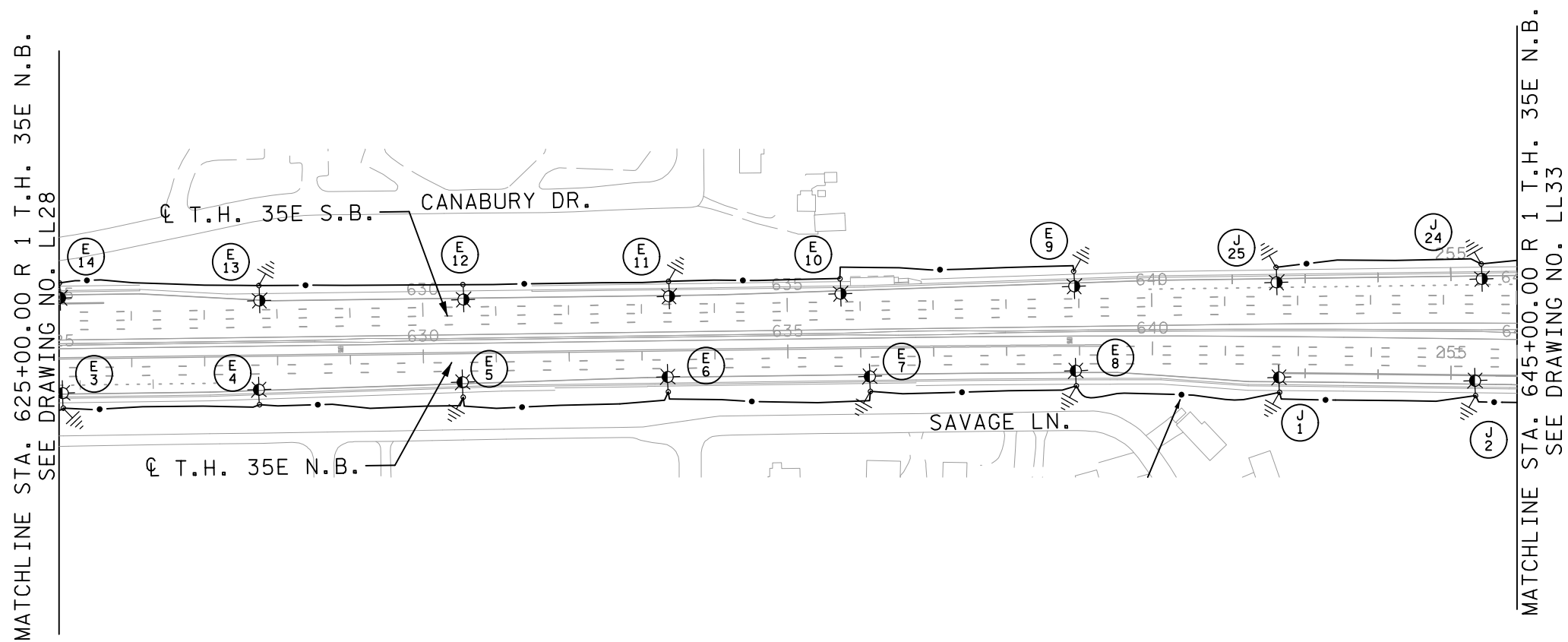
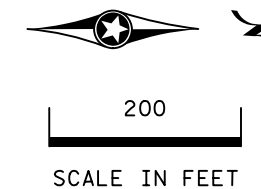
10:38:28 AM
3/7/2016
C:\work\king\proj\ect\l\see\mcccurdy\dms37391\cd6280367_ab_1128.dgn

0	07/08/14	JJG	MPM	JWD	INITIAL RELEASE FOR CONSTRUCTION - DP T-6
1	03/01/16	SHS	MPM	JWD	RECORD PLAN
NO	DATE	BY	CKD	APPR	REVISION
DRAWING NO.: LL28					

RECORD DRAWING NOTE

THESE RECORD DRAWINGS WERE DEVELOPED BASED ON THE PREVIOUS DRAWING REVISIONS AND INFORMATION TRANSMITTED FROM THE FIELD BY OTHERS. THE INFORMATION CONTAINED WITHIN THIS RECORD AS-BUILT PLAN REPRESENTS THE ACTUAL CONDITIONS FOR ALL CHANGES OF WHICH ALLIANT IS AWARE. FUTURE USERS OF THESE DRAWINGS SHOULD VERIFY AS-BUILT CONDITIONS IN THE FIELD IN ALL CIRCUMSTANCES.





10/30/13 AM
 3/7/2016
 C:\work\proj\project\semmccourdy\dms37391\c66280367_ab-1129.dgn

0	07/08/14	JJG	MPM	JWD	INITIAL RELEASE FOR CONSTRUCTION - DP T-6
1	03/01/16	SHS	MPM	JWD	RECORD PLAN
NO	DATE	BY	CKD	APPR	REVISION
DRAWING NO.: LL29					

RECORD DRAWING NOTE

THESE RECORD DRAWINGS WERE DEVELOPED BASED ON THE PREVIOUS DRAWING REVISIONS AND INFORMATION TRANSMITTED FROM THE FIELD BY OTHERS. THE INFORMATION CONTAINED WITHIN THIS RECORD AS-BUILT PLAN REPRESENTS THE ACTUAL CONDITIONS FOR ALL CHANGES OF WHICH ALLIANT IS AWARE. FUTURE USERS OF THESE DRAWINGS SHOULD VERIFY AS-BUILT CONDITIONS IN THE FIELD IN ALL CIRCUMSTANCES.



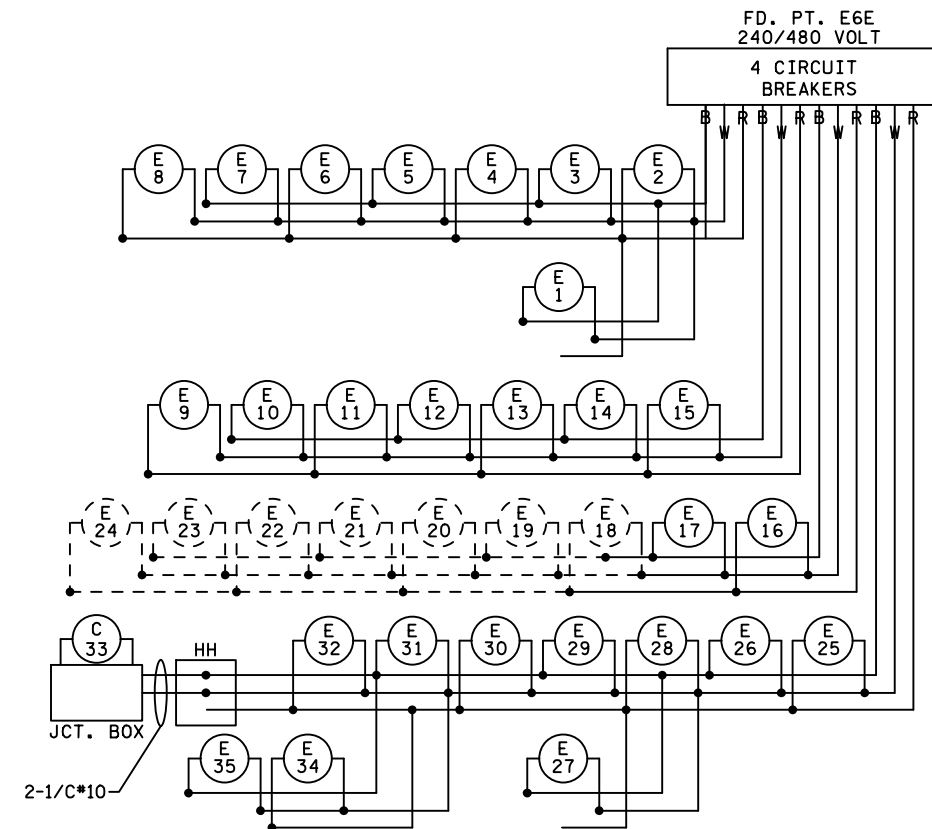
I-35E MNPASS PROJECT (S.P. 6280-367)

PROPOSED MNDOT LIGHTING SYSTEM
LAYOUT

SHEET
LL29
OF

FEEDPOINT E6E
LIGHTING STANDARDS AND BASES

NO.	STATION	LT.	RT.	LOCATION	TYPE
1	619+85		68.1'	T.H. 35E N.B.	12-49 (SALVAGED)
2	622+43		60.1'	T.H. 35E N.B.	12-49 (SALVAGED)
3	625+05		55.3'	T.H. 35E N.B.	12-49 (SALVAGED)
4	627+74		54.2'	T.H. 35E N.B.	12-49 (SALVAGED)
5	630+54		47.6'	T.H. 35E N.B.	12-49 (SALVAGED)
6	633+35		44.1'	T.H. 35E N.B.	12-49 (SALVAGED)
7	636+13		47.1'	T.H. 35E N.B.	12-49 (SALVAGED)
8	638+95		42.1'	T.H. 35E N.B.	12-49 (SALVAGED)
9	638+93	49.8'		T.H. 35E S.B.	12-49 (SALVAGED)
10	635+73	43.9'		T.H. 35E S.B.	12-49 (SALVAGED)
11	633+38	43.5'		T.H. 35E S.B.	12-49 (SALVAGED)
12	630+56	42.8'		T.H. 35E S.B.	12-49 (SALVAGED)
13	627+76	45.2'		T.H. 35E S.B.	12-49 (SALVAGED)
14	625+02	52.4'		T.H. 35E S.B.	12-49 (SALVAGED)
15	622+53	51.8'		T.H. 35E S.B.	12-49 (SALVAGED)
16	619+90	57.5'		T.H. 35E S.B.	12-49 (SALVAGED)
17	227+85	15.8'		T.H. 36 RAMP B	9-40 (SALVAGED)
18	-	-		T.H. 36 RAMP B	9-40 (INPLACE)
19	-	-		T.H. 36 RAMP B	9-40 (INPLACE)
20	-	-		T.H. 36 RAMP B	9-40 (INPLACE)
21	-	-		T.H. 36 RAMP B	9-40 (INPLACE)
22	-	-		T.H. 36 RAMP B	9-40 (INPLACE)
23	-	-		T.H. 36 W.B.	9-40 (INPLACE)
24	-	-		T.H. 36 W.B.	9-40 (INPLACE)
25	617+18	43.8'		T.H. 35E S.B.	12-49 (SALVAGED)
26	614+36	50.9'		T.H. 35E S.B.	12-49 (SALVAGED)
27	611+48	61.0'		T.H. 35E S.B.	12-49 (SALVAGED)
28	210+35		29.9'	T.H. 36 LOOP B	9-40 (SALVAGED)
29	207+79		30.8'	T.H. 36 LOOP B	9-40 (SALVAGED)
30	205+20		29.6'	T.H. 36 LOOP B	9-40 (SALVAGED)
31	306+31	64.2'		T.H. 36 W.B.	9-40 (SALVAGED)
32	307+69	61.6'		T.H. 36 W.B.	9-40 (SALVAGED)
33	308+36	37.0'		T.H. 36 W.B.	L
34	304+00	40.3'		T.H. 36 W.B.	9-40 (SALVAGED)
35	302+14	38.7'		T.H. 36 W.B.	9-40 (SALVAGED)



B AND R DENOTE CURRENT CARRYING CONDUCTORS
W DENOTES NEUTRAL CONDUCTOR
DASHED DENOTES INPLACE

10/30/16 AM 3/17/2016 C:\Users\jng\OneDrive\Documents\Projects\mncourdy\dms37391\cd6280367_ab_1132.dgn

0	07/08/14	JJG	MPM	JWD	INITIAL RELEASE FOR CONSTRUCTION - DP T-6
1	03/01/16	SHS	MPM	JWD	RECORD PLAN
NO	DATE	BY	CKD	APPR	REVISION
DRAWING NO.: LL32					

RECORD DRAWING NOTE
THESE RECORD DRAWINGS WERE DEVELOPED BASED ON THE PREVIOUS DRAWING REVISIONS AND INFORMATION TRANSMITTED FROM THE FIELD BY OTHERS. THE INFORMATION CONTAINED WITHIN THIS RECORD AS-BUILT PLAN REPRESENTS THE ACTUAL CONDITIONS FOR ALL CHANGES OF WHICH ALLIANT IS AWARE. FUTURE USERS OF THESE DRAWINGS SHOULD VERIFY AS-BUILT CONDITIONS IN THE FIELD IN ALL CIRCUMSTANCES.



I-35E MNPASS PROJECT (S.P. 6280-367)
PROPOSED MNDOT LIGHTING SYSTEM
LAYOUT

SHEET
LL32
OF