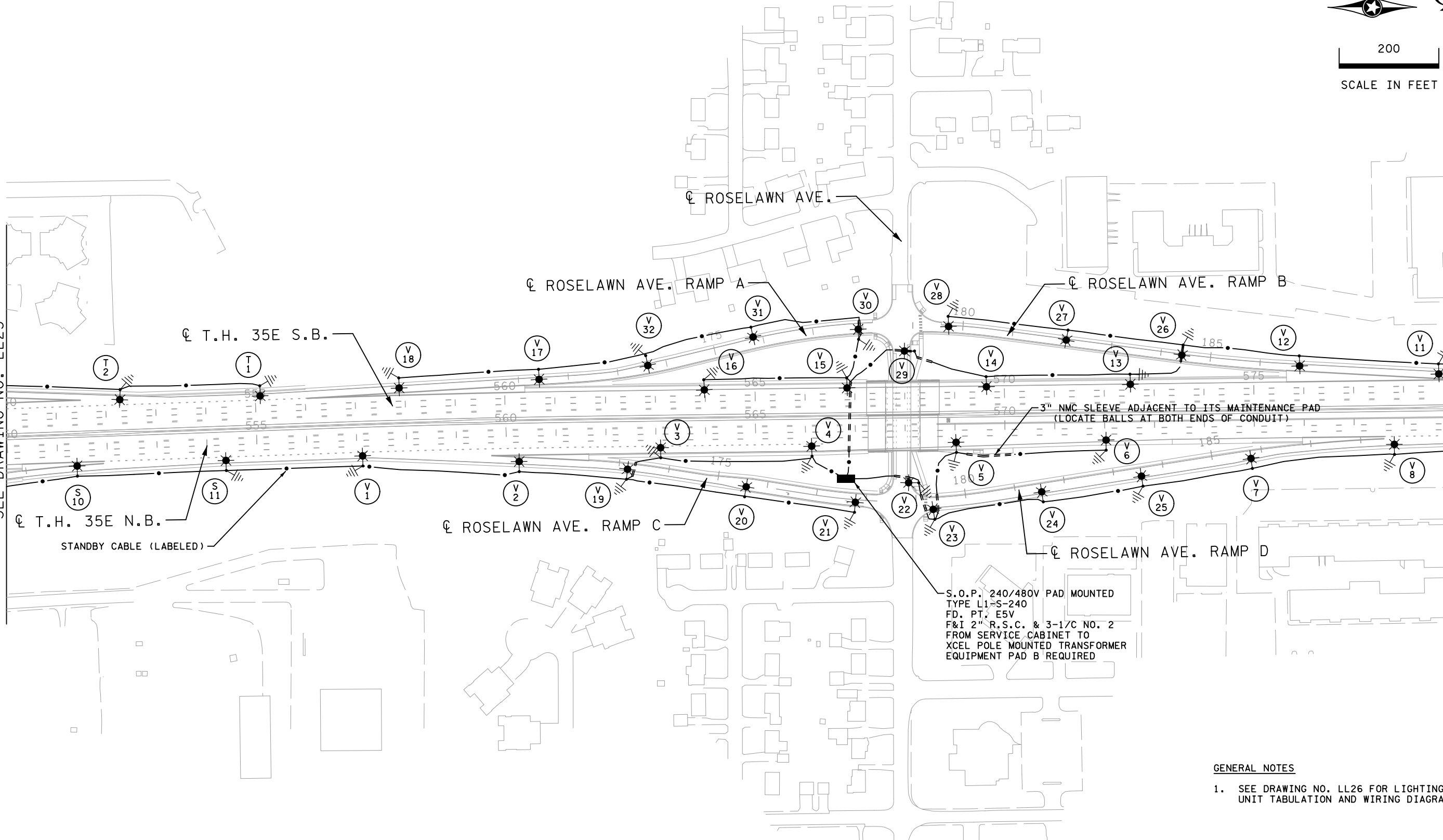


MATCHLINE STA. 550+00.00 R 1 T.H. 35E N.B. SEE DRAWING NO. LL23

MATCHLINE STA. 579+00.00 R 1 T.H. 35E N.B. SEE DRAWING NO. LL27



3" NMC SLEEVE ADJACENT TO ITS MAINTENANCE PAD (LOCATE BALLS AT BOTH ENDS OF CONDUIT)

S.O.P. 240/480V PAD MOUNTED  
TYPE L1-S-240  
FD. PT. E5V  
F&I 2" R.S.C. & 3-1/2" NO. 2  
FROM SERVICE CABINET TO  
XCEL POLE MOUNTED TRANSFORMER  
EQUIPMENT PAD B REQUIRED

- GENERAL NOTES**
- SEE DRAWING NO. LL26 FOR LIGHTING UNIT TABULATION AND WIRING DIAGRAM.

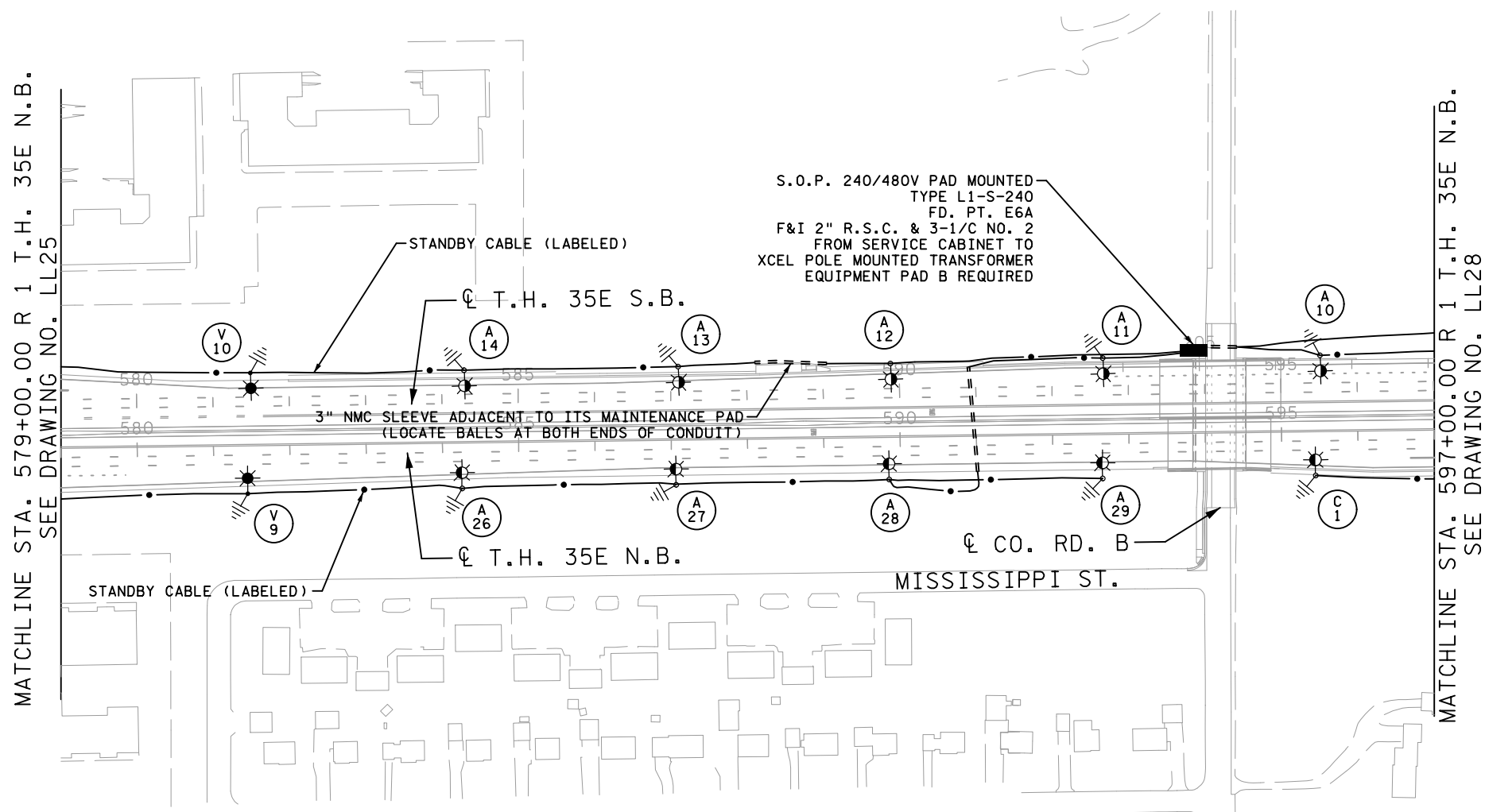
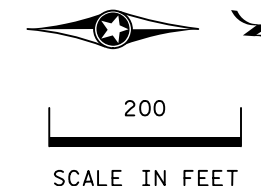
10/30/15 AM 3/7/2016 C:\work\proj\ect\l\se\mcc\cur\y\dms37391\c\6280367\_db\_1125.dgn

0	07/08/14	JJG	MPM	JWD	INITIAL RELEASE FOR CONSTRUCTION - DP T-6
1	03/01/16	SHS	MPM	JWD	RECORD PLAN
NO	DATE	BY	CKD	APPR	REVISION
DRAWING NO.: LL25					

**RECORD DRAWING NOTE**

THESE RECORD DRAWINGS WERE DEVELOPED BASED ON THE PREVIOUS DRAWING REVISIONS AND INFORMATION TRANSMITTED FROM THE FIELD BY OTHERS. THE PLAN REPRESENTS THE ACTUAL CONDITIONS FOR ALL CHANGES OF WHICH ALLIANT IS AWARE. FUTURE USERS OF THESE DRAWINGS SHOULD VERIFY AS-BUILT CONDITIONS IN THE FIELD IN ALL CIRCUMSTANCES.





**GENERAL NOTES**

- SEE DRAWING NO. LL30 FOR LIGHTING UNIT TABULATION AND WIRING DIAGRAM FOR FEED POINT E6A.

10/30/24 AM 3/7/2016 10:30:24 AM C:\Users\jgrogan\OneDrive\Documents\Projects\I-35E MNPASS\Drawings\LL27.dgn

0	07/08/14	JJG	MPM	JWD	INITIAL RELEASE FOR CONSTRUCTION - DP T-6
1	03/01/16	SHS	MPM	JWD	RECORD PLAN
NO	DATE	BY	CKD	APPR	REVISION
DRAWING NO.: LL27					

**RECORD DRAWING NOTE**

THESE RECORD DRAWINGS WERE DEVELOPED BASED ON THE PREVIOUS DRAWING REVISIONS AND INFORMATION TRANSMITTED FROM THE FIELD BY OTHERS. THE INFORMATION CONTAINED WITHIN THIS RECORD AS-BUILT PLAN REPRESENTS THE ACTUAL CONDITIONS FOR ALL CHANGES OF WHICH ALLIANT IS AWARE. FUTURE USERS OF THESE DRAWINGS SHOULD VERIFY AS-BUILT CONDITIONS IN THE FIELD IN ALL CIRCUMSTANCES.



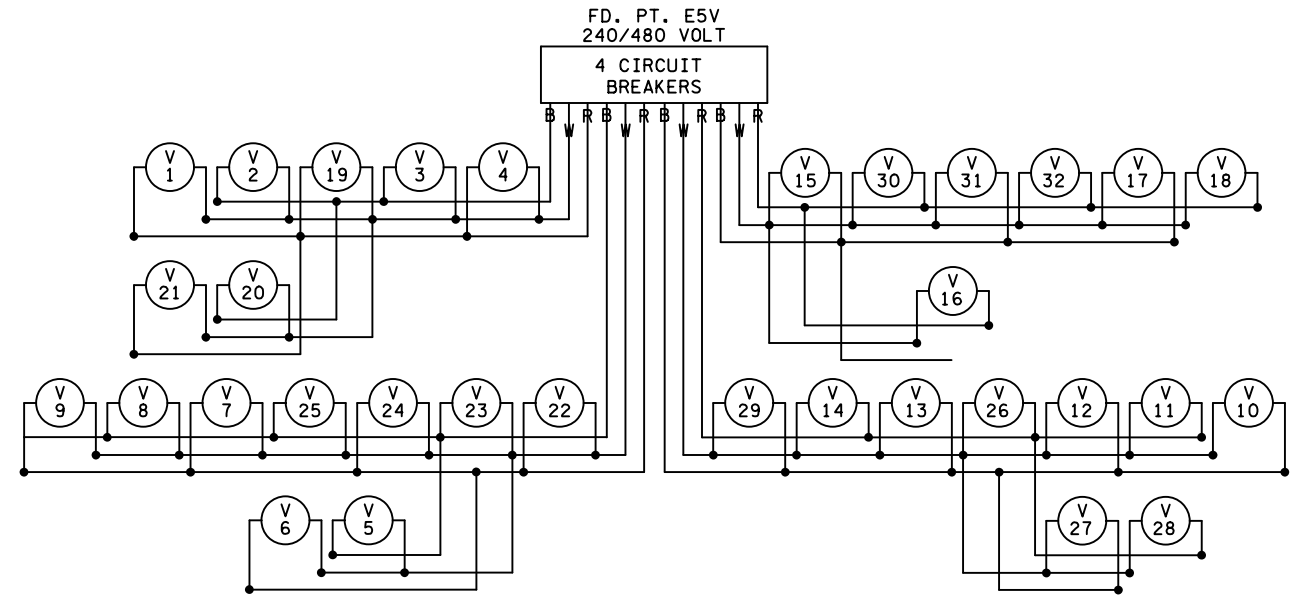
**I-35E MNPASS PROJECT (S.P. 6280-367)**

PROPOSED MNDOT LIGHTING SYSTEM  
LAYOUT

SHEET  
LL27  
OF

FEEDPOINT E5V  
LIGHTING STANDARDS AND BASES

NO.	STATION	LT.	RT.	LOCATION	TYPE
1	557+11		51.4'	T.H. 35E N.B.	12-49
2	560+25		70.9'	T.H. 35E N.B.	12-49
3	563+09		47.4'	T.H. 35E N.B.	12-49
4	566+13		48.3'	T.H. 35E N.B.	12-49
5	569+02		44.5'	T.H. 35E N.B.	12-49
6	572+02		43.9'	T.H. 35E N.B.	12-49
7	574+95		84.5'	T.H. 35E N.B.	12-49
8	577+80		60.3'	T.H. 35E N.B.	12-49
9	581+44		50.5'	T.H. 35E N.B.	12-49
10	581+50	43.8'		T.H. 35E S.B.	12-49
11	578+71	56.1'		T.H. 35E S.B.	12-49
12	575+92	75.9'		T.H. 35E S.B.	12-49
13	572+52	43.7'		T.H. 35E S.B.	12-49
14	569+63	42.6'		T.H. 35E S.B.	12-49
15	566+84	43.9'		T.H. 35E S.B.	12-49
16	563+97	43.8'		T.H. 35E S.B.	12-49
17	560+68	69.4'		T.H. 35E S.B.	12-49
18	557+89	58.8'		T.H. 35E S.B.	12-49
19	173+18		25.3'	ROSELAWN RAMP C	9-40
20	175+58		25.2'	ROSELAWN RAMP C	9-40
21	177+79		25.4'	ROSELAWN RAMP C	9-40
22	11+36	33.8'		ROSELAWN AVE.	9-40
23	179+36		37.5'	ROSELAWN RAMP D	9-40
24	181+52		31.0'	ROSELAWN RAMP D	9-40
25	183+55		31.2'	ROSELAWN RAMP D	9-40
26	184+42	26.1'		ROSELAWN RAMP B	9-40
27	182+09	26.0'		ROSELAWN RAMP B	9-40
28	179+69	25.7'		ROSELAWN RAMP B	9-40
29	8+72		25.5'	ROSELAWN AVE.	9-40
30	177+90		18.2'	ROSELAWN RAMP A	9-40
31	175+81	37.0'		ROSELAWN RAMP A	9-40
32	173+62	30.0'		ROSELAWN RAMP A	9-40



10/30/19 AM 3/7/2016 C:\work\proj\ect\se\mccur\dy\dms37391\cd6280367\_ab\_1126.dgn

0	07/08/14	JJG	MPM	JWD	INITIAL RELEASE FOR CONSTRUCTION - DP T-6
1	03/01/16	SHS	MPM	JWD	RECORD PLAN
NO	DATE	BY	CKD	APPR	REVISION
DRAWING NO.: LL26					

**RECORD DRAWING NOTE**  
 THESE RECORD DRAWINGS WERE DEVELOPED BASED ON THE PREVIOUS DRAWING REVISIONS AND INFORMATION TRANSMITTED FROM THE FIELD BY OTHERS. THE INFORMATION CONTAINED WITHIN THIS RECORD AS-BUILT PLAN REPRESENTS THE ACTUAL CONDITIONS FOR ALL CHANGES OF WHICH ALLIANT IS AWARE. FUTURE USERS OF THESE DRAWINGS SHOULD VERIFY AS-BUILT CONDITIONS IN THE FIELD IN ALL CIRCUMSTANCES.



**I-35E MNPASS PROJECT (S.P. 6280-367)**  
 PROPOSED MNDOT LIGHTING SYSTEM  
 LAYOUT

SHEET  
 LL26  
 OF