

MATCHLINE STA. 521+00.00 R 1 T.H. 35E N.B. SEE DRAWING NO. LL22

MATCHLINE STA. 550+00.00 R 1 T.H. 35E N.B. SEE DRAWING NO. LL25

- GENERAL NOTES**
- SEE DRAWING NO. LL24 FOR LIGHTING UNIT TABULATIONS AND WIRING DIAGRAMS.

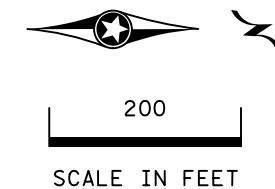
10/30/05 AM 3/7/2016 1:23:00 PM C:\work\proj\ect\l\see\mccur\dy\dms37391\cd6280367_ab_1123.dgn

0	07/08/14	JJG	MPM	JWD	INITIAL RELEASE FOR CONSTRUCTION - DP T-6
1	10/03/14	JJG	MPM	JWD	NDC 022
2	03/12/15	SHS	MPM	JWD	NDC 023
3	03/01/16	SHS	MPM	JWD	RECORD PLAN
NO	DATE	BY	CKD	APPR	REVISION
DRAWING NO.: LL23					

RECORD DRAWING NOTE

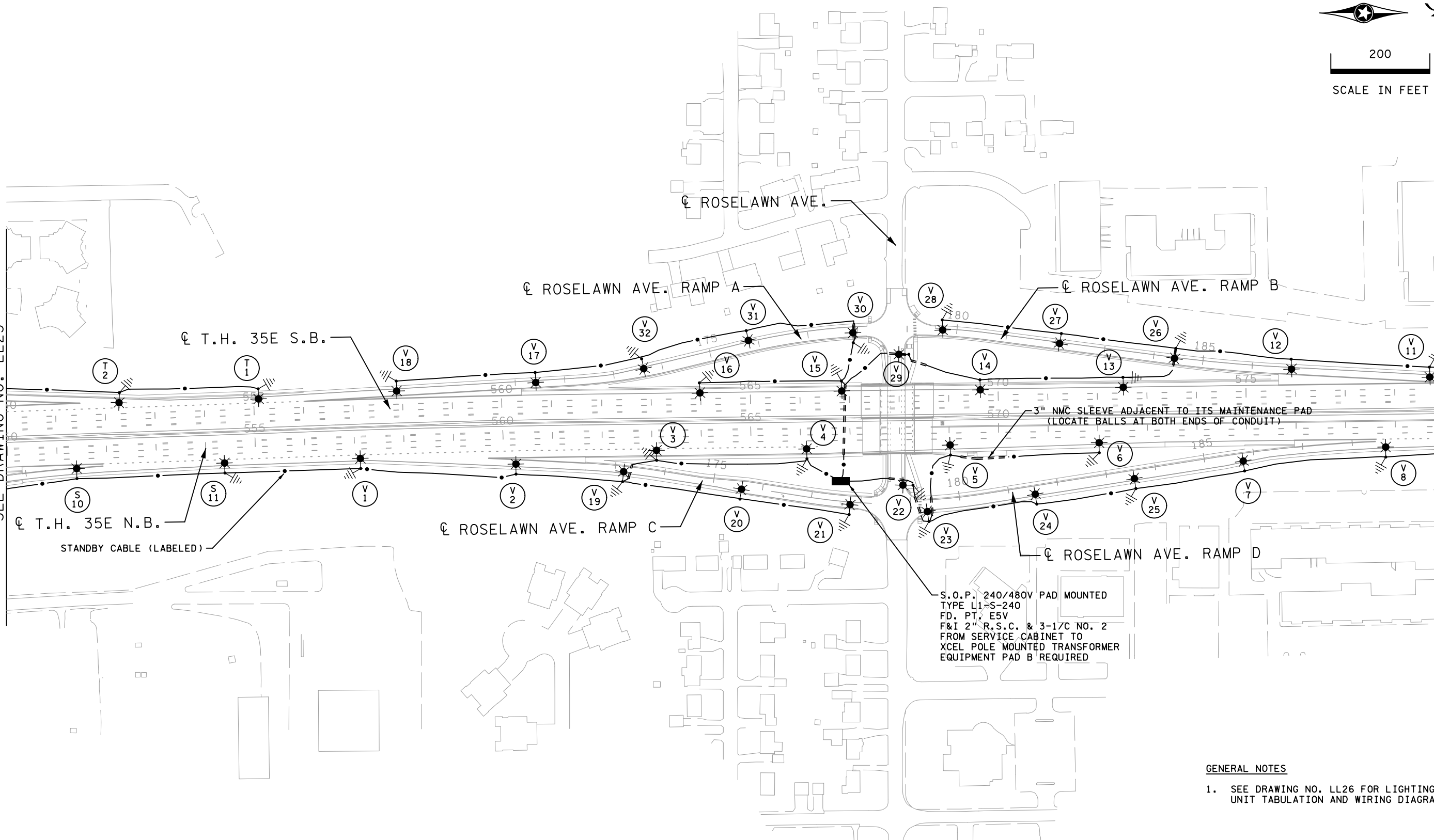
THESE RECORD DRAWINGS WERE DEVELOPED BASED ON THE PREVIOUS DRAWING REVISIONS AND INFORMATION TRANSMITTED FROM THE FIELD BY OTHERS. THE INFORMATION CONTAINED WITHIN THIS RECORD AS-BUILT PLAN REPRESENTS THE ACTUAL CONDITIONS FOR ALL CHANGES OF WHICH ALLIANT IS AWARE. FUTURE USERS OF THESE DRAWINGS SHOULD VERIFY AS-BUILT CONDITIONS IN THE FIELD IN ALL CIRCUMSTANCES.





MATCHLINE STA. 550+00.00 R 1 T.H. 35E N.B. SEE DRAWING NO. LL23

MATCHLINE STA. 579+00.00 R 1 T.H. 35E N.B. SEE DRAWING NO. LL27



- GENERAL NOTES**
- SEE DRAWING NO. LL26 FOR LIGHTING UNIT TABULATION AND WIRING DIAGRAM.

10/30/15 AM 3/7/2016 C:\work\proj\ect\l\se\mncour\y\dms37391\c66280367_db_1125.dgn

0	07/08/14	JJG	MPM	JWD	INITIAL RELEASE FOR CONSTRUCTION - DP T-6
1	03/01/16	SHS	MPM	JWD	RECORD PLAN
NO	DATE	BY	CKD	APPR	REVISION
DRAWING NO.: LL25					

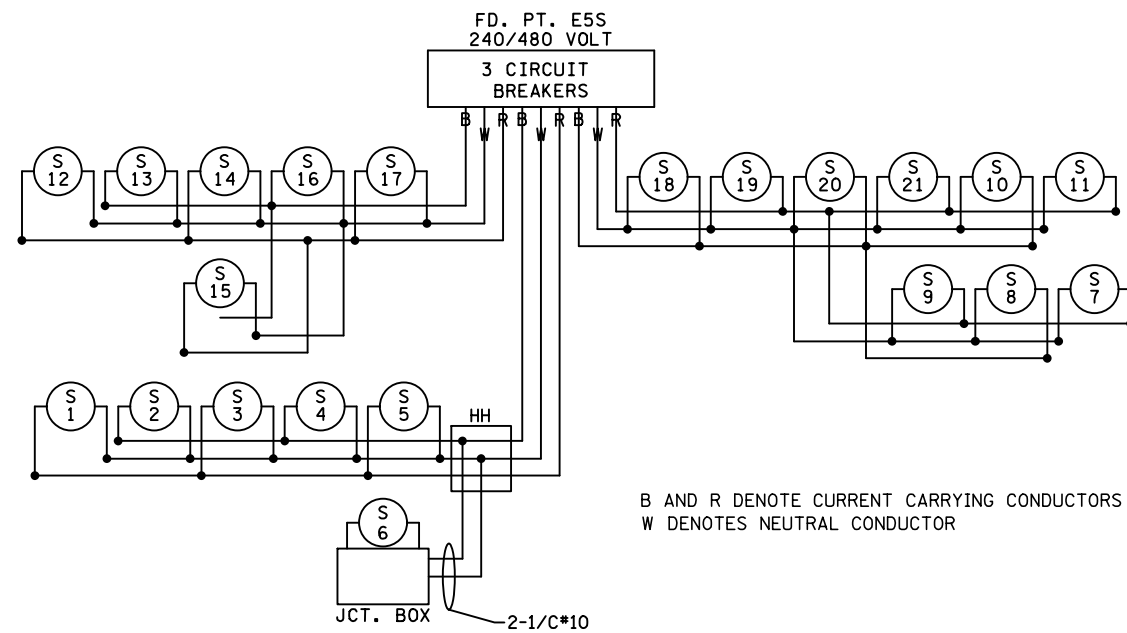
RECORD DRAWING NOTE

THESE RECORD DRAWINGS WERE DEVELOPED BASED ON THE PREVIOUS DRAWING REVISIONS AND INFORMATION TRANSMITTED FROM THE FIELD BY OTHERS. THE PLAN REPRESENTS THE ACTUAL CONDITIONS FOR ALL CHANGES OF WHICH ALLIANT IS AWARE. FUTURE USERS OF THESE DRAWINGS SHOULD VERIFY AS-BUILT CONDITIONS IN THE FIELD IN ALL CIRCUMSTANCES.



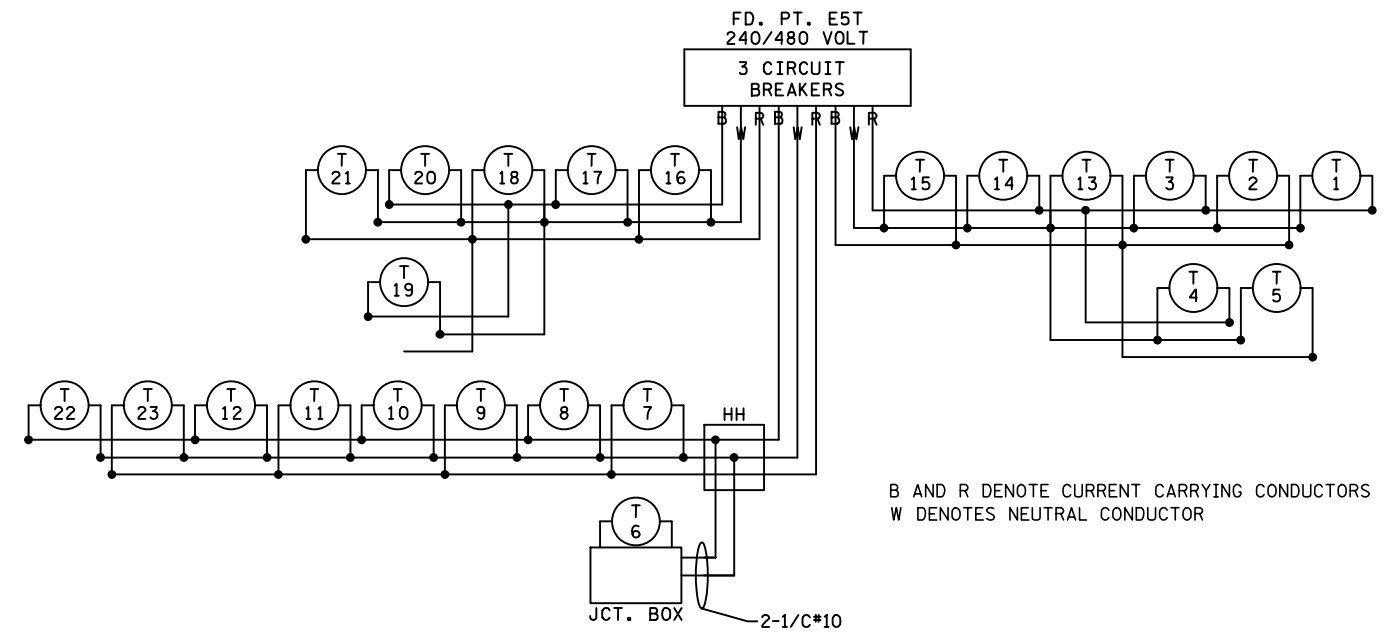
FEEDPOINT E5S
LIGHTING STANDARDS AND BASES

NO.	STATION	LT.	RT.	LOCATION	TYPE
1	530+70		42.0'	T.H. 35E N.B.	12-49
2	533+43		45.0'	T.H. 35E N.B.	12-49
3	535+11		45.0'	T.H. 35E N.B.	12-49
4	538+32		49.8'	T.H. 35E N.B.	12-49
5	540+73		49.6'	T.H. 35E N.B.	12-49
6	541+57		56.5'	T.H. 35E N.B.	L
7	542+58		44.6'	T.H. 35E N.B.	12-49
8	545+48		45.5'	T.H. 35E N.B.	12-49
9	548+28		39.9'	T.H. 35E N.B.	12-49
10	551+38		51.8'	T.H. 35E N.B.	12-49
11	554+37		51.1'	T.H. 35E N.B.	12-49
12	131+01		29.0'	WHEELOCK RAMP C	9-40
13	133+37		31.1'	WHEELOCK RAMP C	9-40
14	136+06		35.2'	WHEELOCK RAMP C	9-40
15	11+72	29.2'		E. WHEELOCK PKWY.	9-40
16	149+12		30.0'	E. FRONTAGE RD.	9-40
17	150+98		27.7'	E. FRONTAGE RD.	9-40
18	153+14		40.6'	LARPENTEUR RAMP D	9-40
19	155+29		42.2'	LARPENTEUR RAMP D	9-40
20	157+58		33.1'	LARPENTEUR RAMP D	9-40
21	159+85		24.1'	LARPENTEUR RAMP D	9-40



FEEDPOINT E5T
LIGHTING STANDARDS AND BASES

NO.	STATION	LT.	RT.	LOCATION	TYPE
1	555+10	52.4'		T.H. 35E S.B.	12-49
2	552+30	54.6'		T.H. 35E S.B.	12-49
3	549+51	73.4'		T.H. 35E S.B.	12-49
4	546+36	46.6'		T.H. 35E S.B.	12-49
5	543+47	57.0'		T.H. 35E S.B.	12-49
6	541+64	56.5'		T.H. 35E S.B.	L
7	540+81	54.3'		T.H. 35E S.B.	12-49
8	538+40	52.6'		T.H. 35E S.B.	12-49
9	535+13	45.2'		T.H. 35E S.B.	12-49
10	533+42	45.5'		T.H. 35E S.B.	12-49
11	530+72	45.3'		T.H. 35E S.B.	12-49
12	527+91	50.3'		T.H. 35E S.B.	12-49
13	157+77	22.9'		LARPENTEUR RAMP B	9-40
14	155+64	32.9'		LARPENTEUR RAMP B	9-40
15	153+56	31.2'		LARPENTEUR RAMP B	9-40
16	151+46	25.0'		W. FRONTAGE RD.	9-40
17	149+25	25.9'		W. FRONTAGE RD.	9-40
18	136+47	25.2'		WHEELOCK RAMP A	9-40
19	8+45		47.6'	E. WHEELOCK PKWY.	9-40
20	134+26	25.7'		WHEELOCK RAMP A	9-40
21	132+15	24.7'		WHEELOCK RAMP A	9-40
22	129+79		25.7'	WHEELOCK RAMP A	9-40
23	127+74		21.2'	WHEELOCK RAMP A	9-40



10:38:09 AM
3/7/2016
C:\Users\jng\OneDrive\work\proj\ect\1\see\mcccurdy\dms37391\cd6280367_ab_1124.dgn

0	07/08/14	JJG	MPM	JWD	INITIAL RELEASE FOR CONSTRUCTION - DP T-6
1	03/01/16	SHS	MPM	JWD	RECORD PLAN
NO	DATE	BY	CKD	APPR	REVISION
DRAWING NO.: LL24					

RECORD DRAWING NOTE
THESE RECORD DRAWINGS WERE DEVELOPED BASED ON THE PREVIOUS DRAWING REVISIONS AND INFORMATION TRANSMITTED FROM THE FIELD BY OTHERS. THE INFORMATION CONTAINED WITHIN THIS RECORD AS-BUILT PLAN REPRESENTS THE ACTUAL CONDITIONS FOR ALL CHANGES OF WHICH ALLIANT IS AWARE. FUTURE USERS OF THESE DRAWINGS SHOULD VERIFY AS-BUILT CONDITIONS IN THE FIELD IN ALL CIRCUMSTANCES.



I-35E MNPASS PROJECT (S.P. 6280-367)
PROPOSED MNDOT LIGHTING SYSTEM
LAYOUT

SHEET
LL24
OF