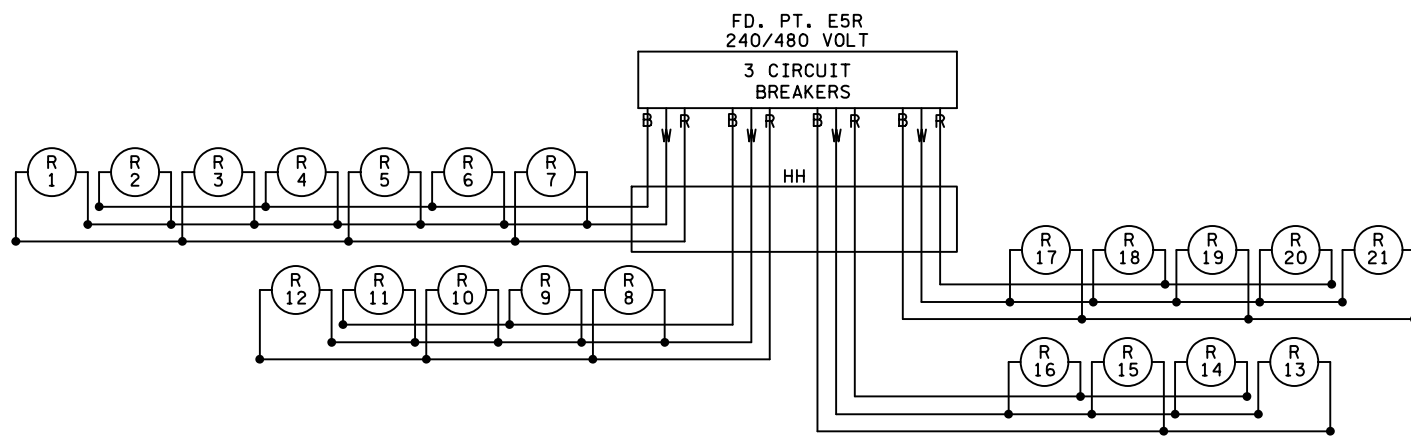


S.O.P. 240/480V PAD MOUNTED
 TYPE L1-S-240
 FD. PT. E5R
 F&I 2" R.S.C. & 3-1/C NO. 2
 FROM SERVICE CABINET TO
 XCEL PAD MOUNTED TRANSFORMER
 EQUIPMENT PAD B REQUIRED

FEEDPOINT E5R
 LIGHTING STANDARDS AND BASES

NO.	STATION	LT.	RT.	LOCATION	TYPE
1	498+58		61.9'	T.H. 35E N.B.	12-49
2	501+08		51.5'	T.H. 35E N.B.	12-49
3	503+58		46.0'	T.H. 35E N.B.	12-49
4	506+12		44.0'	T.H. 35E N.B.	12-49
5	508+61		43.1'	T.H. 35E N.B.	12-49
6	511+15		46.3'	T.H. 35E N.B.	12-49
7	513+68		46.9'	T.H. 35E N.B.	12-49
8	516+48		43.4'	T.H. 35E N.B.	12-49
9	519+33		45.0'	T.H. 35E N.B.	12-49
10	522+16		43.4'	T.H. 35E N.B.	12-49
11	524+88		54.0'	T.H. 35E N.B.	12-49
12	527+91		74.5'	T.H. 35E N.B.	12-49
13	525+12	68.5'		T.H. 35E S.B.	12-49
14	522+20	53.1'		T.H. 35E S.B.	12-49
15	519+37	46.1'		T.H. 35E S.B.	12-49
16	516+55	52.2'		T.H. 35E S.B.	12-49
17	513+71	44.4'		T.H. 35E S.B.	12-49
18	511+16	42.6'		T.H. 35E S.B.	12-49
19	508+58	42.3'		T.H. 35E S.B.	12-49
20	506+17	43.3'		T.H. 35E S.B.	12-49
21	503+75	43.8'		T.H. 35E S.B.	12-49



B AND R DENOTE CURRENT CARRYING CONDUCTORS
 W DENOTES NEUTRAL CONDUCTOR

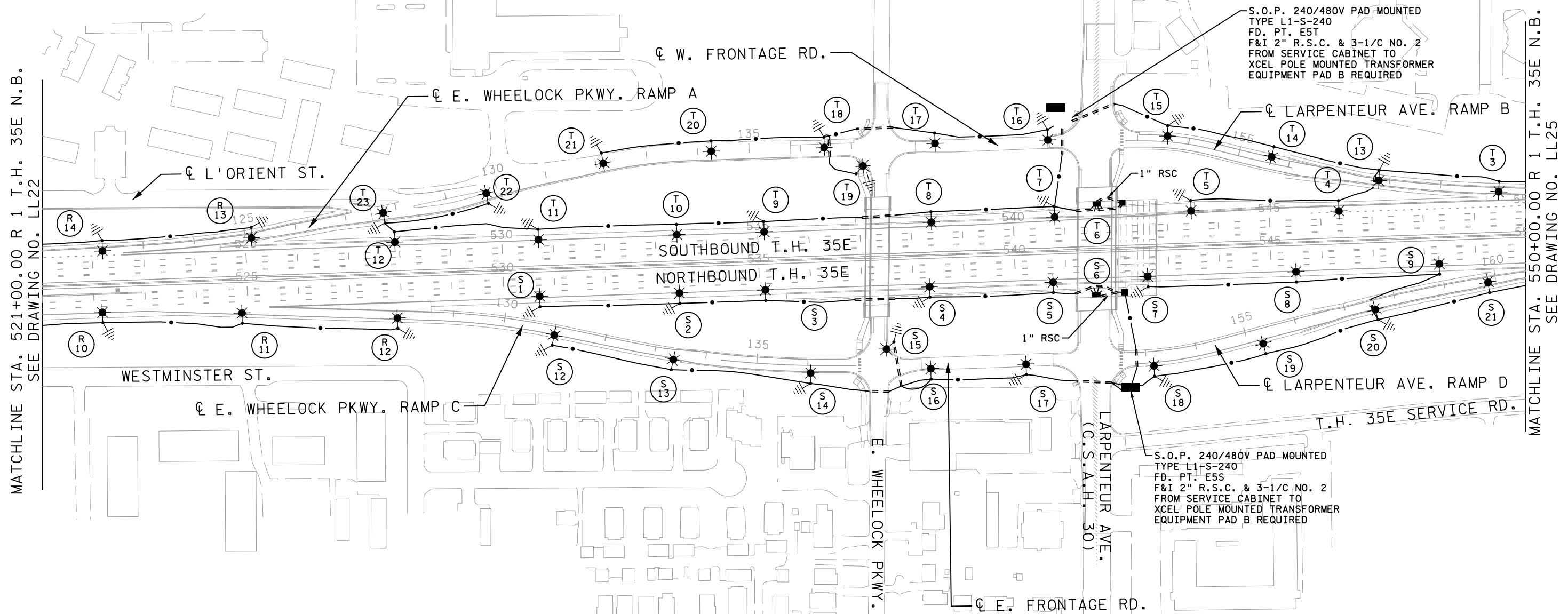
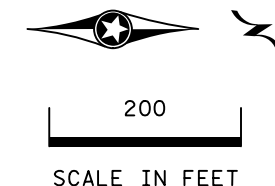
NO.	DATE	BY	CKD	APPR	REVISION
0	07/08/14	JJG	MPM	JWD	INITIAL RELEASE FOR CONSTRUCTION - DP T-6
1	10/03/14	JJG	MPM	JWD	NDC 022
2	03/12/15	SHS	MPM	JWD	NDC 023
3	03/01/16	SHS	MPM	JWD	RECORD PLAN

RECORD DRAWING NOTE
 THESE RECORD DRAWINGS WERE DEVELOPED BASED ON THE PREVIOUS DRAWING REVISIONS AND INFORMATION TRANSMITTED FROM THE FIELD BY OTHERS. THE INFORMATION CONTAINED WITHIN THIS RECORD AS-BUILT PLAN REPRESENTS THE ACTUAL CONDITIONS FOR ALL CHANGES OF WHICH ALLIANT IS AWARE. FUTURE USERS OF THESE DRAWINGS SHOULD VERIFY AS-BUILT CONDITIONS IN THE FIELD IN ALL CIRCUMSTANCES.



I-35E MNPASS PROJECT (S.P. 6280-367)	SHEET LL22 OF
PROPOSED MNDOT LIGHTING SYSTEM LAYOUT	

10:38:01 AM
 S:\work\proj\ect\l\ee\mccur\dy\dms37391\cd6280367_ab_1122.dgn



MATCHLINE STA. 521+00.00 R 1 T.H. 35E N.B. SEE DRAWING NO. LL22

MATCHLINE STA. 550+00.00 R 1 T.H. 35E N.B. SEE DRAWING NO. LL25

- GENERAL NOTES**
- SEE DRAWING NO. LL24 FOR LIGHTING UNIT TABULATIONS AND WIRING DIAGRAMS.

10/30/05 AM 3/7/2016 11:23:00 AM C:\work\proj\ect\l\see\mccur\dy\dms37391\c06280367_ab_1123.dgn

0	07/08/14	JJG	MPM	JWD	INITIAL RELEASE FOR CONSTRUCTION - DP T-6
1	10/03/14	JJG	MPM	JWD	NDC 022
2	03/12/15	SHS	MPM	JWD	NDC 023
3	03/01/16	SHS	MPM	JWD	RECORD PLAN
NO	DATE	BY	CKD	APPR	REVISION
DRAWING NO.: LL23					

RECORD DRAWING NOTE

THESE RECORD DRAWINGS WERE DEVELOPED BASED ON THE PREVIOUS DRAWING REVISIONS AND INFORMATION TRANSMITTED FROM THE FIELD BY OTHERS. THE INFORMATION CONTAINED WITHIN THIS RECORD AS-BUILT PLAN REPRESENTS THE ACTUAL CONDITIONS FOR ALL CHANGES OF WHICH ALLIANT IS AWARE. FUTURE USERS OF THESE DRAWINGS SHOULD VERIFY AS-BUILT CONDITIONS IN THE FIELD IN ALL CIRCUMSTANCES.

