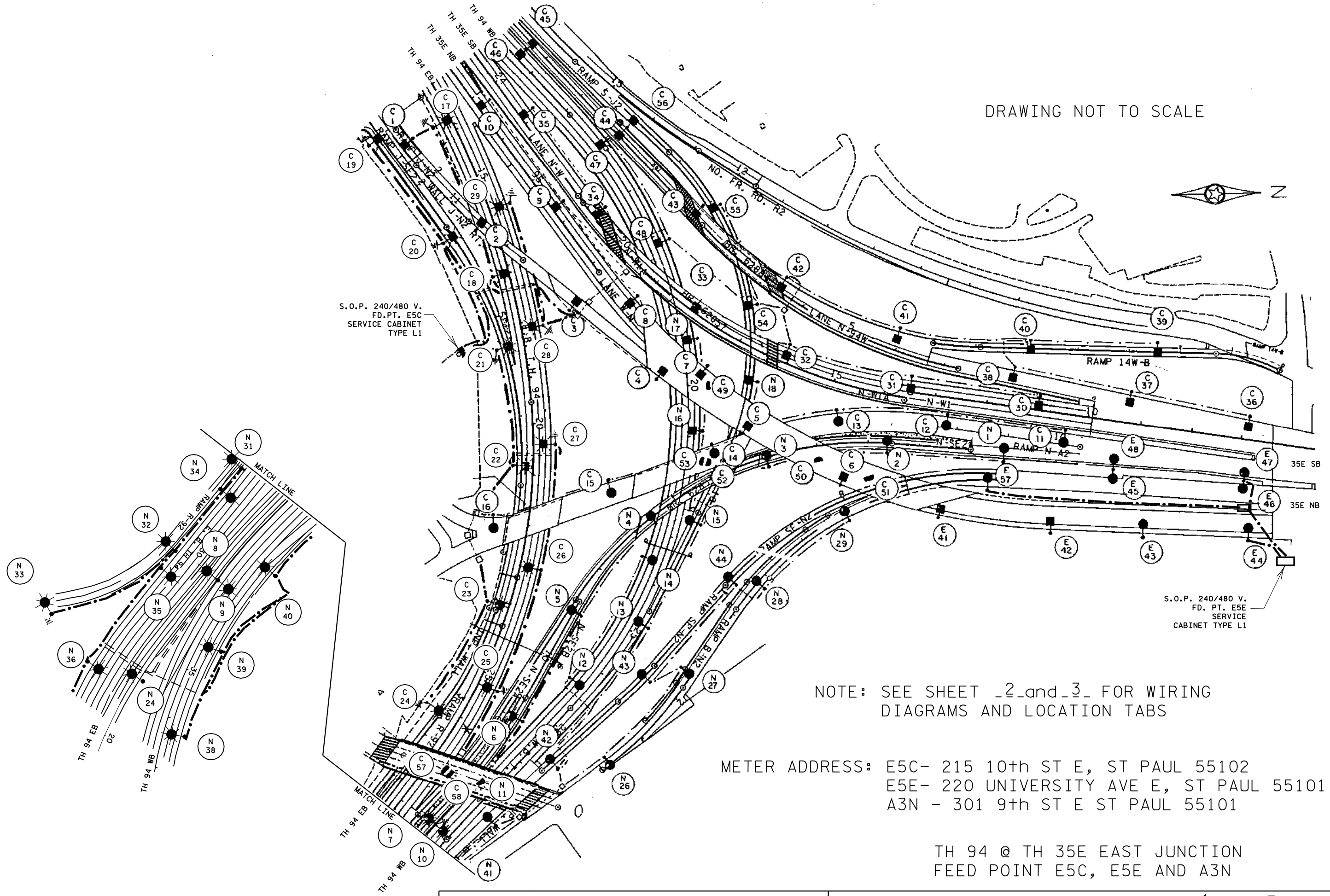


DRAWING NOT TO SCALE



NOTE: SEE SHEET 2 and 3 FOR WIRING DIAGRAMS AND LOCATION TABS

METER ADDRESS: E5C- 215 10th ST E, ST PAUL 55102
E5E- 220 UNIVERSITY AVE E, ST PAUL 55101
A3N - 301 9th ST E ST PAUL 55101

TH 94 @ TH 35E EAST JUNCTION
FEED POINT E5C, E5E AND A3N

FEED POINT E5C, 240/480 V.

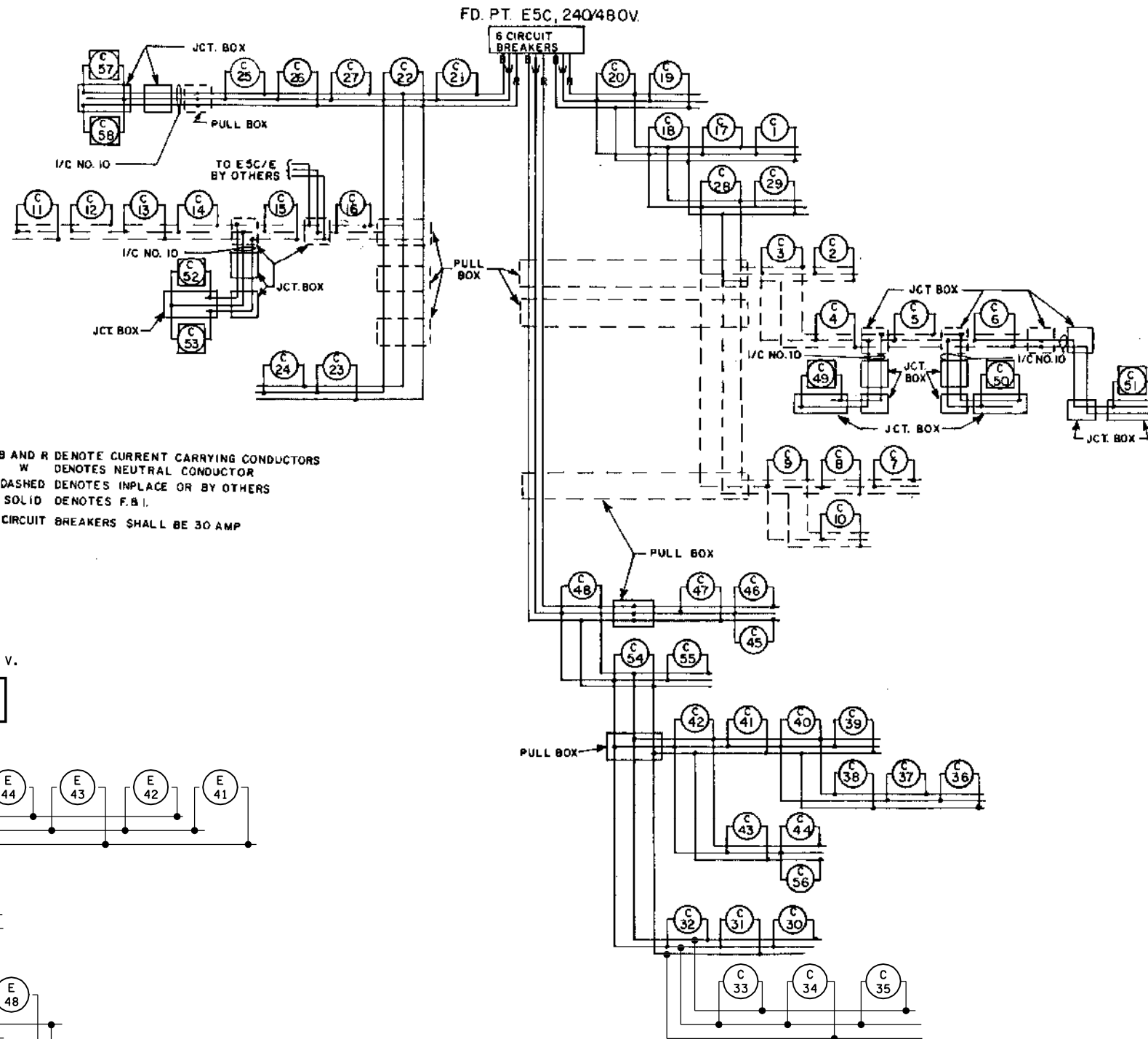
FEED POINT E5C, 240/480 V.

LIGHTING STANDARDS & BASES					
NO.	STATION	LT.	RT.	LOCATION	TYPE
1	1+20 INP	---	---	RAMP J-N2	6P-40
2	3+50 INP	---	---	RAMP J-N2	6BP-40
3	5+80 INP	---	---	RAMP J-N2	6BP-40
4	99+80 INP	---	---	LANE W-N	6BP-40
5	101+50 INP	---	---	LANE W-N	6BP-40
6	103+55 INP	---	---	LANE W-N	6BP-40
7	100+30 INP	---	---	LANE W-N	6BP-40
8	98+10 INP	---	---	LANE W-N	6BP-40
9	95+70 INP	---	---	LANE W-N	6BP-40
10	93+30 INP	---	---	LANE W-N	6BP-40
11	9+90 INP	---	---	RAMP N-A2	9-40
12	12+10 INP	---	---	RAMP N-A2	9-40
13	14+40 INP	---	---	RAMP N-A2	9-40
14	16+80 INP	---	---	RAMP N-A2	6B-40
15	19+00 INP	---	---	RAMP N-A2	6B-40
16	5+20 INP	---	---	RAMP N-A2	6B-40
17	13+80	---	---	E.B. TH 94	6P-40MOD
18	17+00	---	---	E.B. TH 94	6P-40
19	0+80	---	---	RAMP J-SE2	6P-40
20	3+20	---	---	RAMP J-SE2	6P-40
21	5+70	---	---	RAMP J-SE2	6P-40
22	20+80	---	---	E.B. TH 94	6P-40
23	23+60	---	---	E.B. TH 94	6-40MOD
24	3+50	---	---	RAMP R-92	6-40MOD
25	25+25	---	---	E.B. TH 94	9-40
26	22+80	---	---	E.B. TH 94	9-40
27	20+40	---	---	E.B. TH 94	6P-40
28	18+10	---	---	E.B. TH 94	6P-40
29	15+10	---	---	E.B. TH 94	6P-40
(2)	30	11+00	---	N-WI	6BP-40MOD
(2)	31	13+15	---	N-WIA	6P-40
(2)	32	16+10	---	N-WIA	6P-40
(2)	33	16+10	---	N-WIA	6BP-40

LIGHTING STANDARDS & BASES					
NO.	STATION	LT.	RT.	LOCATION	TYPE
(2)	34	20+85	---	N-W	6BP-40
(2)	35	23+15	---	N-W	6BP-40
	36	6+90	---	N-WI	6P-40
	37	9+25	---	N-WI	6P-40
	38	1+60	---	LANE N-94	6P-40
	39	2+40	---	RAMP 14W-B	6P-40
	40	4+90	---	RAMP 14W-B	6P-40
	41	4+00	---	LANE N-94	6P-40
	42	6+60	---	LANE N-94	6P-40
(2)	43	8+80	---	LANE N-94	6BP-40
(2)	44	11+00	---	LANE N-94	6DP-40
(2)	45	12+65	---	W.B. TH 94	6DP-40
(2)	46	12+65	---	W.B. TH 94	6DP-40
(2)	47	15+05	---	W.B. TH 94	6BP-40MOD
	48	17+20	---	W.B. TH 94	6P-40
	49	20+00	---	W.B. TH 94	L
	50	3+10	---	RAMP SE-2A	L
	51	8+70	---	RAMP SE-N2	L
	52	10+70	---	RAMP S-J2	L
	53	21+40	---	W.B. TH 94	L
	54	13+80	---	RAMP S-J2	6P-40
	55	15+90	---	RAMP S-J2	6P-40
	57	27+00	---	EB TH 94	L
	58	11+95	---	N-SE2A	L

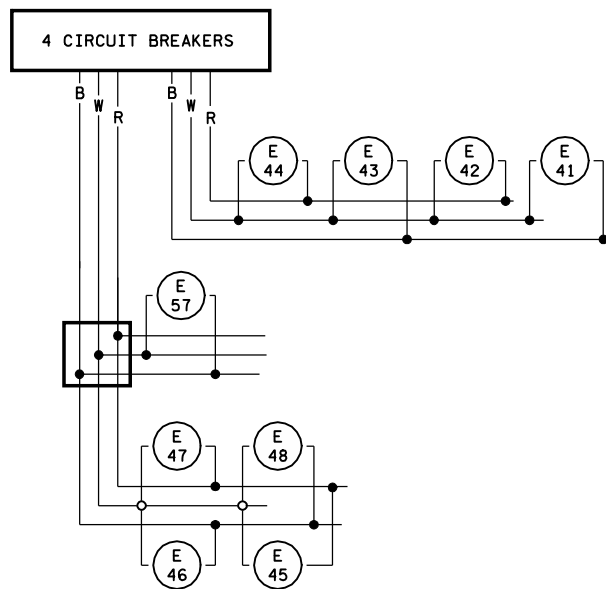
LOCATE LIGHT STANDARDS 9' BEHIND EDGE OF SHOULDER OR AS DIRECTED BY THE ENGINEER.

(2) ANCHORAGE IN BRIDGE, WALL OR BARRIER



B AND R DENOTE CURRENT CARRYING CONDUCTORS
 W DENOTES NEUTRAL CONDUCTOR
 DASHED DENOTES INPLACE OR BY OTHERS
 SOLID DENOTES F.B.I.
 CIRCUIT BREAKERS SHALL BE 30 AMP

FEED POINT E5E, INP. 240/480 V.



FEED POINT E5E, 240/480 V.

LIGHTING STANDARDS & BASES					
NO.	STATION	LT.	RT.	LOCATION	TYPE
	41	105+55	---	LANE W-N	6P-40
	42	107+50	---	LANE W-N	6P-40
(4)	43	109+50	---	LANE W-N	6-40
(4)	44	111+50	---	LANE W-N	6-40
	45	13+60	---	SE-N2A	8BD-49
(1)	48	13+60	---	SE-N2A	8BD-49
(1)	46	15+90	---	SE-N2A	8B0-49
(4)	47	15+90	---	RAMPB-N2	6-40
(4)	57		---		

(1) F. & I. DESIGN H LIGHT BASE
 (4) LOCATE 9' BEHIND EDGE OF SHOULDER

METER ADDRESS: E5C- 215 10th ST E, ST PAUL 55102
 E5E- 220 UNIVERSITY AVE E, ST PAUL 55101

TH 94 TH 35E, EAST JUNCTION
 FEEDPOINT, E5C and E5E