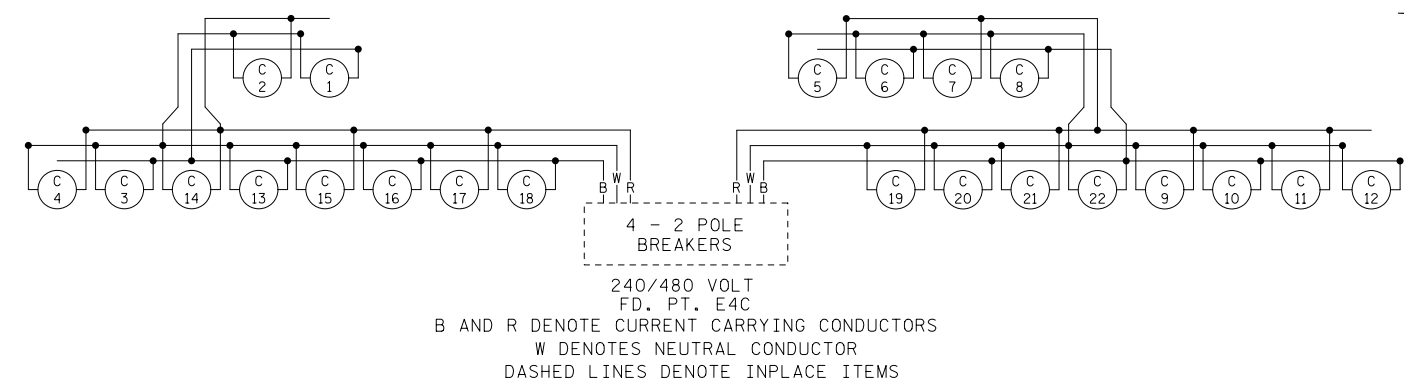
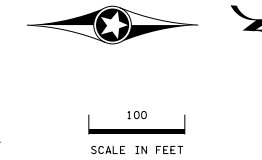


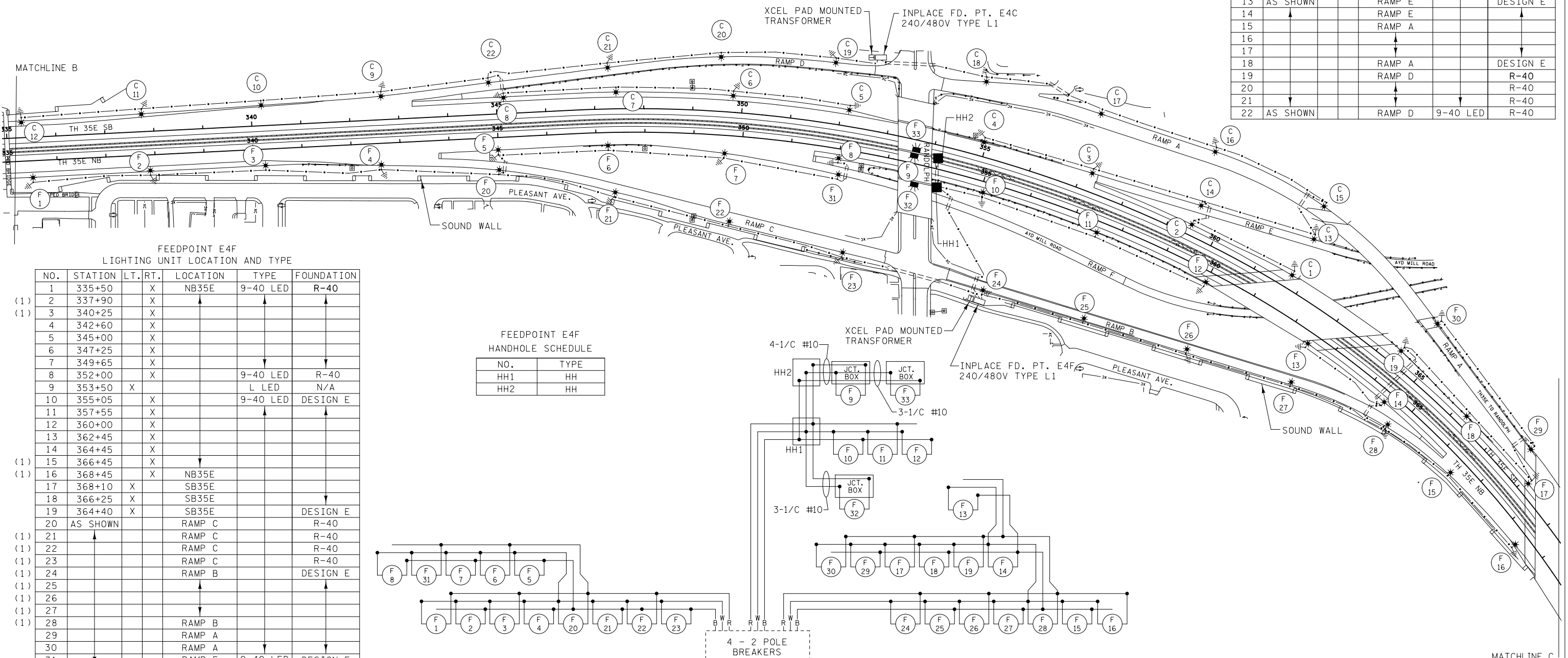
PLOTTED/REVISED: 1/28/2016

LEGEND

- UNDERPASS LIGHT
- LIGHTING UNIT
- PERMANENT GROUND ROD (25 OHMS OR LESS)
- DIRECT BURIED CABLE 4 CONDUCTOR NO. 4
- HANDHOLE
- 3" PVC DIRECT BORE (UNLESS OTHERWISE NOTED)
- INPLACE FD. PT. CABINET
- LIGHTING UNIT IDENTIFIER



FEEDPOINT E4C LIGHTING UNIT LOCATION AND TYPE						
NO.	STATION	LT.	RT.	LOCATION	TYPE	FOUNDATION
1	361+75	X		SB35E	9-40 LED	DESIGN E
2	359+25	X				DESIGN E
3	357+20	X				DESIGN E
4	354+95	X				DESIGN E
5	352+15	X				R-40
6	349+80	X				
7	347+45	X				
8	345+15	X				
9	342+65	X				
10	340+20	X				
11	337+75	X				
12	335+30	X		SB35E		R-40
13	AS SHOWN			RAMP E		DESIGN E
14				RAMP E		
15				RAMP A		
16						
17						
18				RAMP A		DESIGN E
19				RAMP D		R-40
20						R-40
21						R-40
22	AS SHOWN			RAMP D	9-40 LED	R-40



FEEDPOINT E4F LIGHTING UNIT LOCATION AND TYPE

NO.	STATION	LT.	RT.	LOCATION	TYPE	FOUNDATION
1	335+50	X		NB35E	9-40 LED	R-40
2	337+90	X				
3	340+25	X				
4	342+60	X				
5	345+00	X				
6	347+25	X				
7	349+65	X				
8	352+00	X			9-40 LED	R-40
9	353+50	X			L LED	N/A
10	355+05	X			9-40 LED	DESIGN E
11	357+55	X				
12	360+00	X				
13	362+45	X				
14	364+45	X				
15	366+45	X				
16	368+45	X		NB35E		
17	368+10	X		SB35E		
18	366+25	X		SB35E		
19	364+40	X		SB35E		DESIGN E
20	AS SHOWN			RAMP C		R-40
21				RAMP C		R-40
22				RAMP C		R-40
23				RAMP C		R-40
24				RAMP B		DESIGN E
25						
26						
27						
28				RAMP B		
29				RAMP A		
30				RAMP A		
31				RAMP F	9-40 LED	DESIGN E
32	AS SHOWN			RAMP F	L LED	N/A
33	353+65	X		SB35E	L LED	N/A

FEEDPOINT E4F HANDHOLE SCHEDULE

NO.	TYPE
HH1	HH
HH2	HH



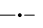

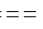

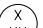
4 - 2 POLE BREAKERS
240/480 VOLT
FD. PT. E4F
B AND R DENOTE CURRENT CARRYING CONDUCTORS
W DENOTES NEUTRAL CONDUCTOR
DASHED LINES DENOTE INPLACE ITEMS

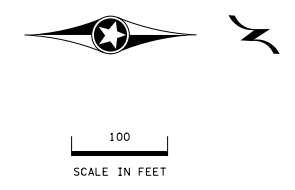
METER ADDRESSES:
E4C 1078 RANDOLPH, ST PAUL 55116
E4F 1025 RANDOLPH, ST PAUL 55102

DISTRICT #: METRO
IPLLOT NAME: 16280-370.ltr.i09
PATH & FILENAME: IP_PWP-d1704240v16280-370.ltr.i02.dgn

BY	DATE	REVISIONS	FEEDPOINT: E4C E4F	LOCATION: RANDOLPH	LIGHTING PLAN
DRAWN BY: PB CKD BY: GK DATE: 1/2016			CERTIFIED BY <i>Michael P. Libensky</i> LIC. NO. 19863 DATE: 1/28/2016		STATE PROJ. NO. 6280-370 (T.H. 35E) SHEET NO. 19 OF 30 SHEETS

LEGEND

-  LIGHTING UNIT
-  PERMANENT GROUND ROD (25 OHMS OR LESS)
-  DIRECT BURIED CABLE 4 CONDUCTOR NO. 4
-  HANDHOLE
-  3" PVC DIRECT BORE (UNLESS OTHERWISE NOTED)
-  INPLACE FD. PT. CABINET
-  LIGHTING UNIT IDENTIFIER



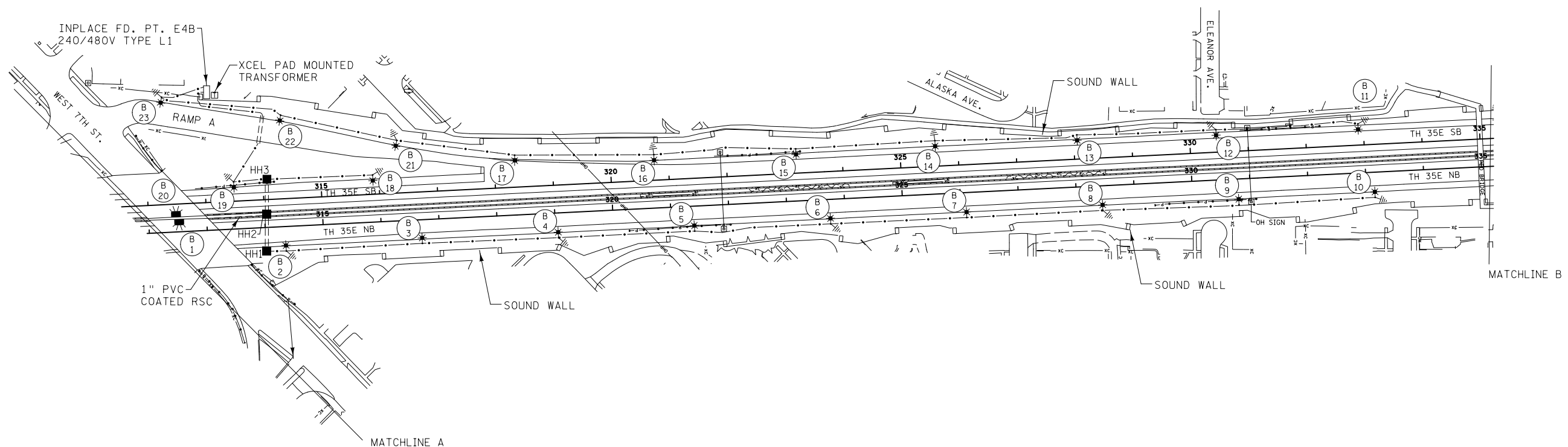
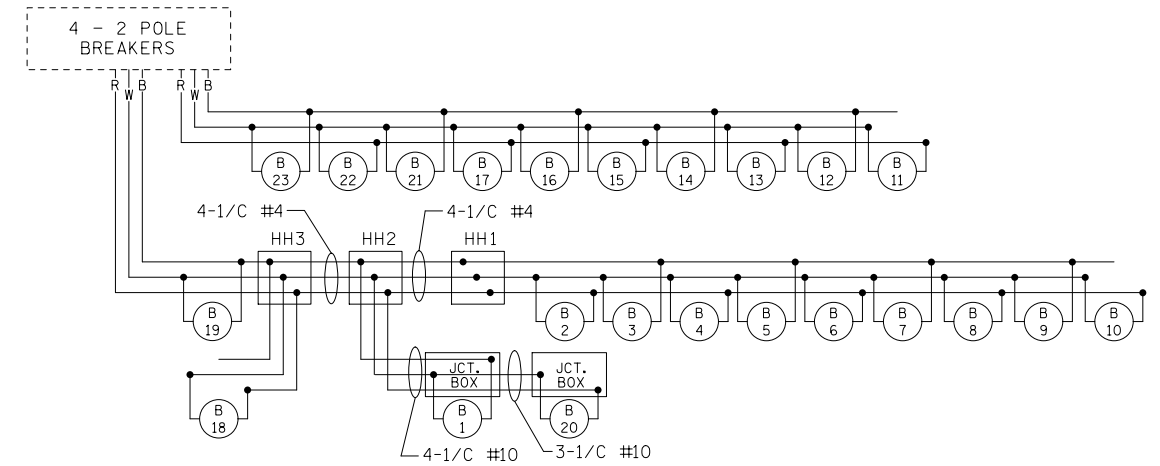
FEEDPOINT E4B
LIGHTING UNIT LOCATION AND TYPE

NO.	STATION	LT.	RT.	LOCATION	TYPE	FOUNDATION
1	312+53	X		NB TH35E	L LED	N/A
2	314+35		X		9-40 LED	R-40
3	316+70	X				
4	319+05	X				
5	321+40	X				
6	323+75	X				
7	326+10	X				
8	328+45	X				
9	330+80	X				
10	333+15	X		NB TH35E		
11	332+90	X		SB TH35E		
12	330+45	X				
13	328+05	X				
14	325+60	X				
15	323+20	X				
16	320+75	X				
17	318+35	X				
18	315+90	X				
19	313+50	X			9-40 LED	R-40
20	312+47		X	SB TH35E	L LED	N/A
21	AS SHOWN	X		RAMP A	9-40 LED	R-40
22	AS SHOWN	X		RAMP A	9-40 LED	R-40
23	AS SHOWN	X		RAMP A	9-40 LED	R-40

FEEDPOINT E4B
HANDHOLE SCHEDULE

NO.	TYPE
HH1	HH
HH2	HH
HH3	HH

DASHED LINES DENOTE INPLACE ITEMS
W DENOTES NEUTRAL CONDUCTOR
B AND R DENOTE CURRENT CARRYING CONDUCTORS
FD. PT. E4B
240/480 VOLT



PLOTTED/REVISED: 1/28/2016

DISTRICT #: METRO
PLOT NAME: 16280-370.ltr.job
PATH & FILENAME: IP_PWP-d1704240v16280-370.ltr.job

BY	DATE	REVISIONS	FEEDPOINT: E4B LOCATION: AT W. 7TH ST. METER ADDRESS: 1330 ALASKA AVE, ST PAUL, 55116	<h2>LIGHTING PLAN</h2>
			CERTIFIED BY <i>Michael P. Lubensky</i> LIC. NO. 19863 DATE: 1/28/2016	STATE PROJ. NO. 6280-370 (T.H. 35E) SHEET NO. 18 OF 30 SHEETS
DRAWN BY: PB	CKD BY: GK	DATE: 1/2016		