

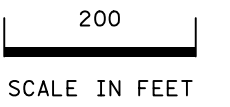
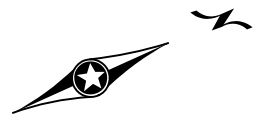
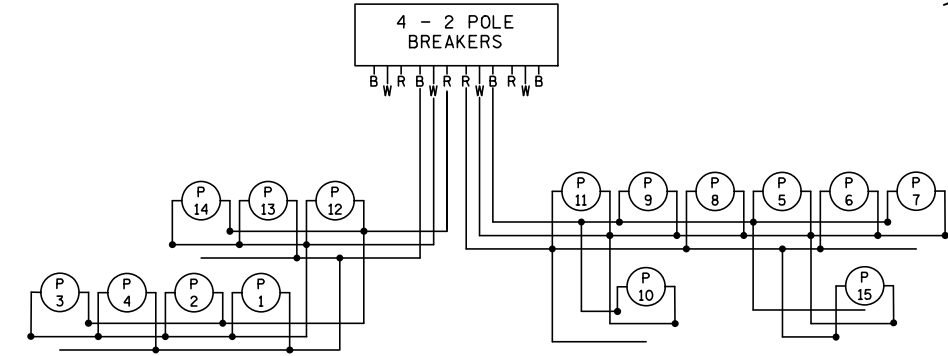
LEGEND

- LIGHTING UNIT
- PERMANENT GROUND ROD (25 OHMS OR LESS)
- DIRECT BURIED LIGHTING CABLE 4/C 4 AWG
- 3" PVC DIRECTIONAL BORED (UNLESS OTHERWISE NOTED)
- INPLACE FD. PT. CABINET
- LIGHTING UNIT IDENTIFIER
- RIGHT OF WAY
- AREA OF ENVIRONMENTAL SENSITIVITY

E01P LIGHTING UNIT LOCATION AND TYPE

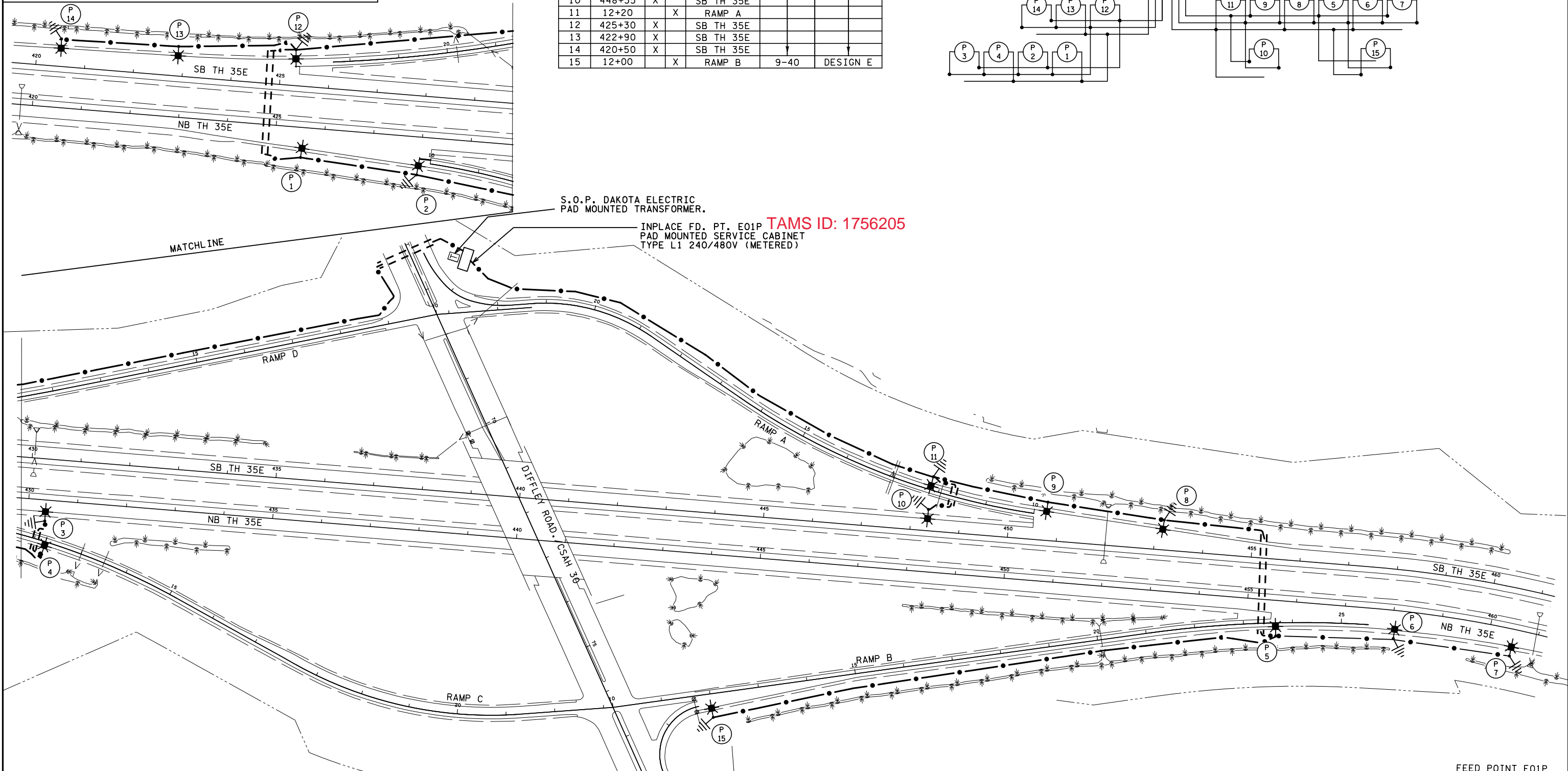
NO.	STATION	LT.	RT.	LOCATION	TYPE	FOUNDATION
1	425+55		X	NB TH 35E	9-40	DESIGN E
2	427+95		X	NB TH 35E		
3	430+35		X	NB TH 35E		
4	12+25		X	RAMP C		
5	455+65		X	NB TH 35E		
6	458+05		X	NB TH 35E		
7	460+50		X	NB TH 35E		
8	453+15	X		SB TH 35E		
9	450+75	X		SB TH 35E		
10	448+35	X		SB TH 35E		
11	12+20		X	RAMP A		
12	425+30	X		SB TH 35E		
13	422+90	X		SB TH 35E		
14	420+50	X		SB TH 35E		
15	12+00		X	RAMP B	9-40	DESIGN E

DASHED LINES DENOTE INPLACE ITEMS
 W DENOTES NEUTRAL CONDUCTOR
 B AND R DENOTE CURRENT CARRYING CONDUCTORS
 FD. PT. E01P
 240/480 VOLT



PLOTTED/REVISED: 1-MAY-2020

DISTRICT #: Metro
 IPLOT NAME: 1982-204_Lit_0
 PATH & FILENAME: Projects\DM_ROS\035E\1982\204\Traffic\Lighting\1982-204_Lit_0.dgn



FEED POINT E01P

BY	DATE	REVISIONS

DRAWN BY: HL CKD BY: PB

FEEDPOINT: E01P LOCATION: DIFFLEY ROAD.
 METER ADDRESS: 1800 DIFFLEY ROAD.EAGAN

CERTIFIED BY *Michael P. Dubinsky* LIC. NO. 19863 DATE: 1-MAY-2020
LICENSED PROFESSIONAL ENGINEER

LIGHTING PLAN

STATE PROJ.NO. 1982-204 (T.H. 35E) SHEET NO. 8 OF 15 SHEETS