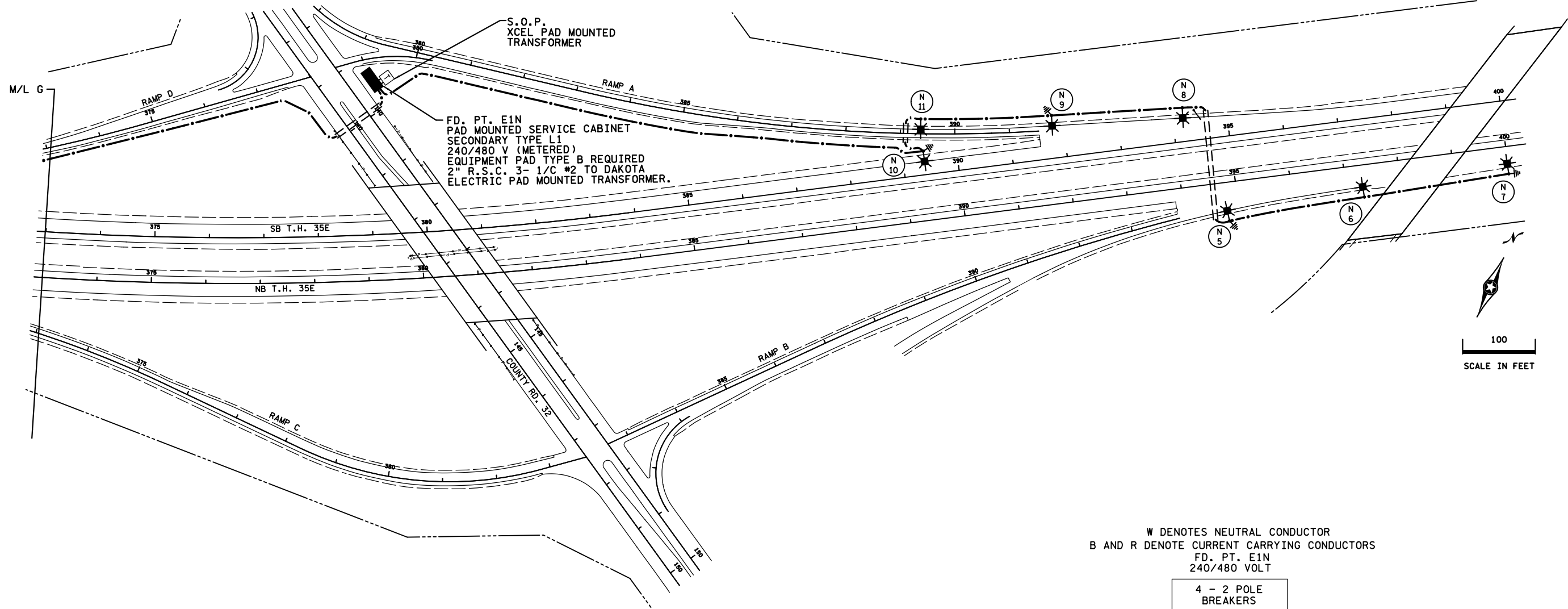
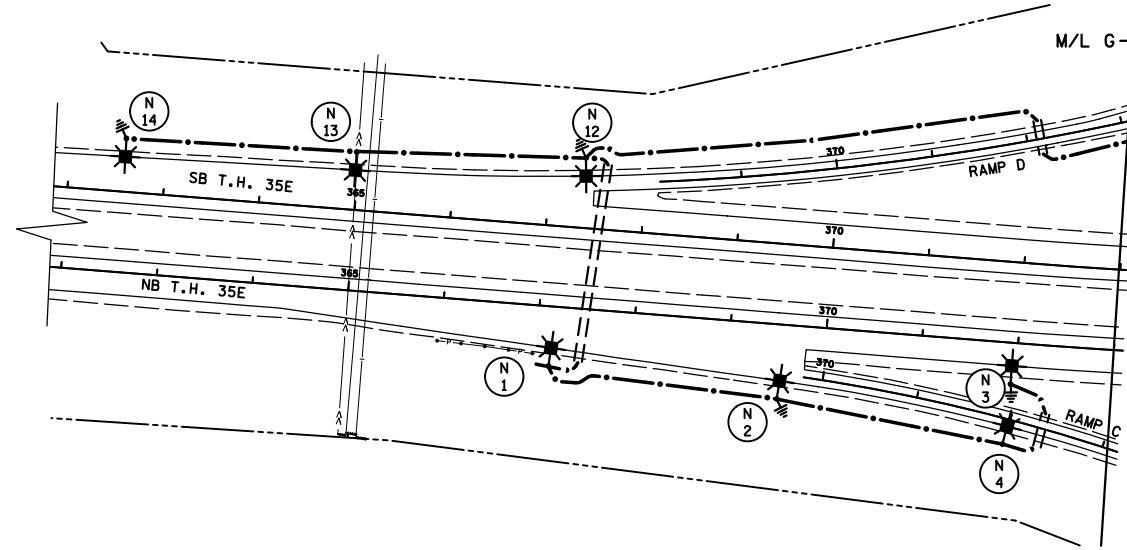
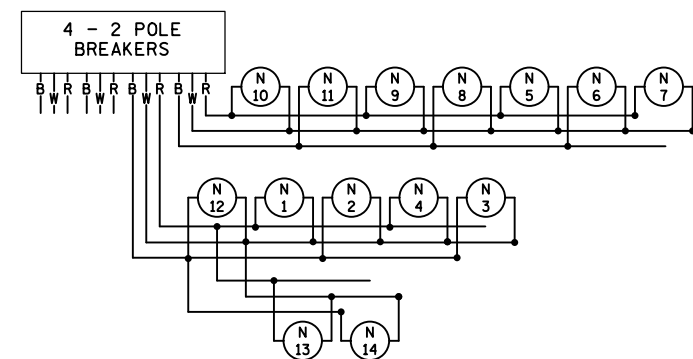


PLOTTED/REVISED: 11/27/2017

DISTRICT #: METRO
 IPLOT NAME: T1982-188LIT.LOT
 PATH & FILENAME: IP_PWP.d19375T1982-188LIT.L0.dgn



W DENOTES NEUTRAL CONDUCTOR
 B AND R DENOTE CURRENT CARRYING CONDUCTORS
 FD. PT. E1N
 240/480 VOLT



LEGEND

- ☼ LIGHTING UNIT
- ⎓ PERMANENT GROUND ROD (25 OHMS OR LESS)
- DIRECT BURIED CABLE 4/C 4 AWG
- FD. PT. CABINET
- HANDHOLE (HH)
- == 3" PVC DIRECTIONAL BORED (UNLESS OTHERWISE NOTED)
- (X XX) LIGHTING UNIT IDENTIFIER
- RIGHT OF WAY

FEEDPOINT E1N
 LIGHTING UNIT LOCATION AND TYPE

NO.	STATION	LT.	RT.	LOCATION	TYPE	FOUNDATION
1	367+15	-	-	NB T.H. 35E	9-40	E
2	369+55	-	-	NB T.H. 35E		
3	371+95	-	-	NB T.H. 35E		
4	371+95	-	-	RAMP C		
5	394+75	-	-	NB T.H. 35E		
6	397+15	-	-	NB T.H. 35E		
7	399+55	-	-	NB T.H. 35E		
8	394+20	-	-	SB T.H. 35E		
9	391+80	-	-	SB T.H. 35E		
10	389+40	-	-	SB T.H. 35E		
11	389+40	-	-	RAMP A		
12	367+35	-	-	SB T.H. 35E		
13	364+95	-	-	SB T.H. 35E		
14	362+55	-	-	SB T.H. 35E	9-40	E

(1) INSTALL SALVAGED LUMINAIRE

BY	DATE	REVISIONS

DRAWN BY: JC CKD BY: PB

FEEDPOINT: E1N LOCATION: CO. RD. 32
 METER ADDRESS: 1930 CLIFF RD, EAGAN, MN 55122

CERTIFIED BY *Michael P. Dubinsky* LIC. NO. 19863 DATE: 11/27/2017
 LICENSED PROFESSIONAL ENGINEER

LIGHTING PLAN