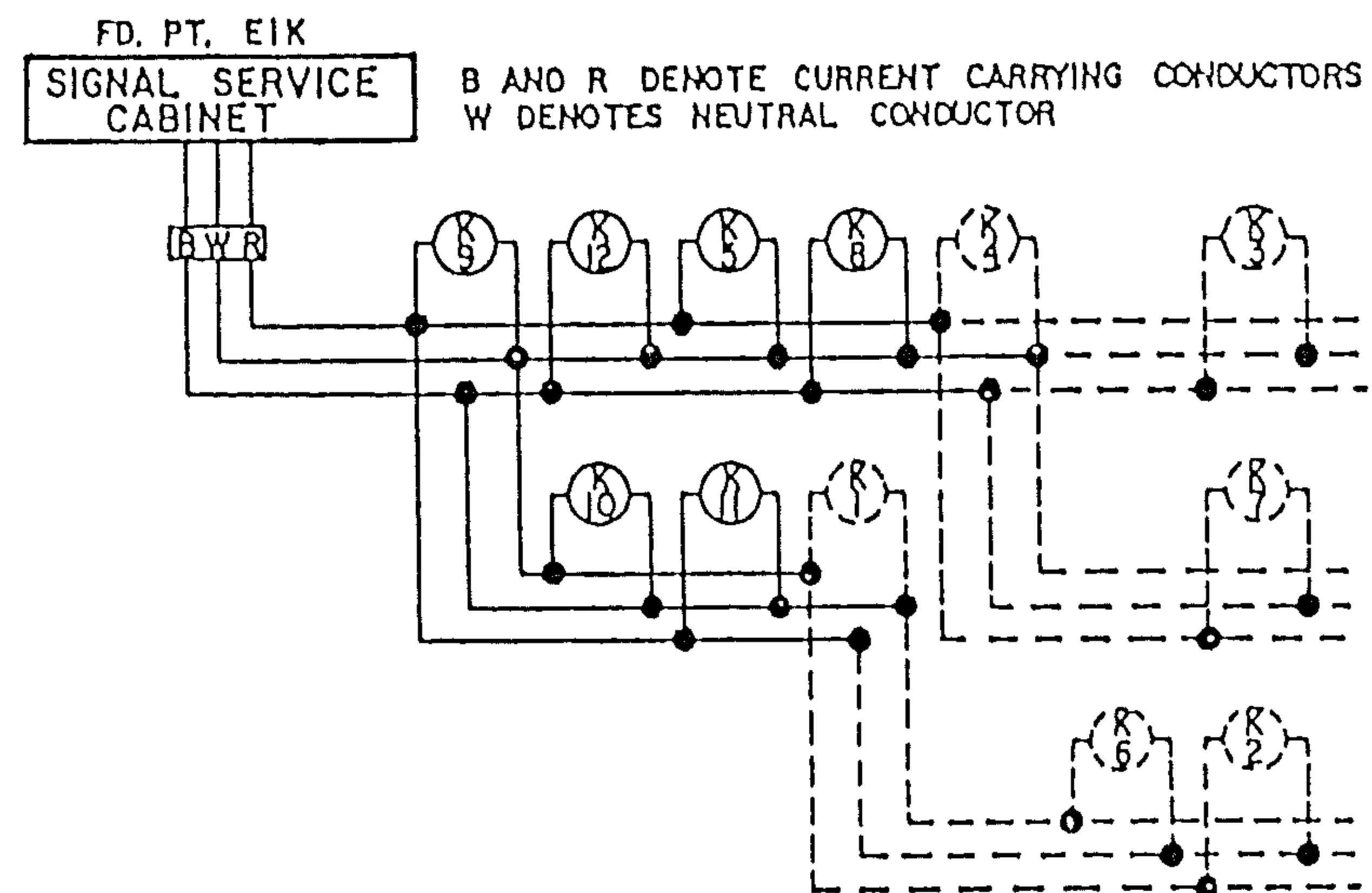


FEED POINT EIK

LIGHTING STANDARDS AND BASES				
NO.	STATION	L.T.R.T.	LOCATION	TYPE
K1	35+75	—	BLACKHAWK RD.	9-40
K2	42+45	—	BLACKHAWK RD.	9-40
K3	2+10	—	P&R THRU	9-40
K4	4+70	—	P&R THRU	9-40
K5	386+00	—	P&R RAMP	9-40
K6	39+60	—	BLACKHAWK RD.	9-40
K7	390+75	—	RAMP B-32	9-40
K8	387+20	—	P&R RAMP	9-40
K9	2+35	—	P&R ENT.	9-40
K10	1+85	—	P&R ENT.	9-40
K11	0+80	—	P&R ENT.	9-40
K12	2+20	—	P&R ENT.	9-40

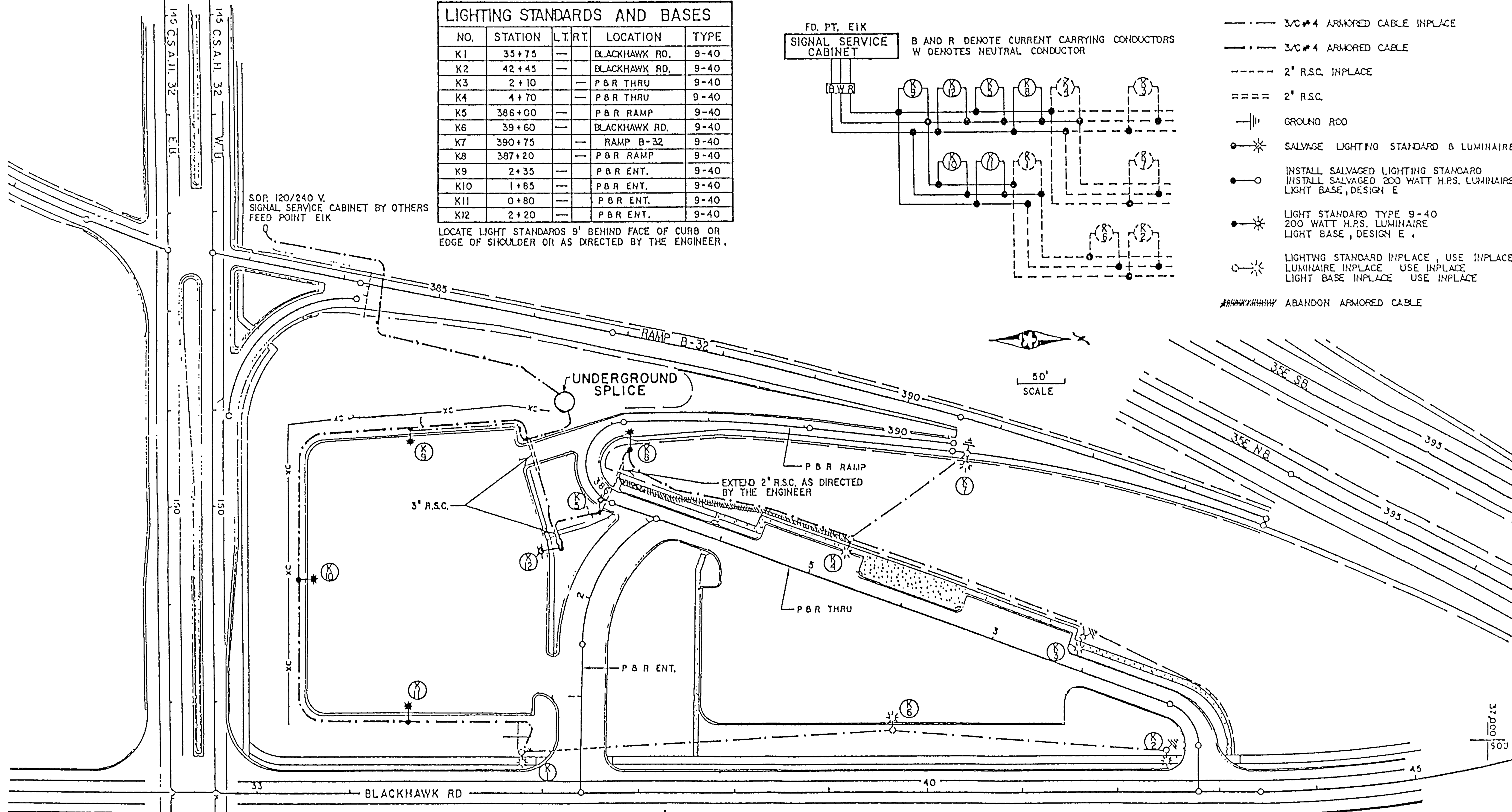
LOCATE LIGHT STANDARDS 9' BEHIND FACE OF CURB OR EDGE OF SHOULDER OR AS DIRECTED BY THE ENGINEER.

SOP. 120/240 V. SIGNAL SERVICE CABINET BY OTHERS FEED POINT EIK



LEGEND OF SYMBOLS

- 3/4" #4 ARMORED CABLE INPLACE
- 3/4" #4 ARMORED CABLE
- 2" R.S.C. INPLACE
- ==== 2" R.S.C.
- ⊥ GROUND ROD
- ⊙\* SALVAGE LIGHTING STANDARD & LUMINAIRE
- ⊙ INSTALL SALVAGED LIGHTING STANDARD  
INSTALL SALVAGED 200 WATT H.P.S. LUMINAIRE  
LIGHT BASE, DESIGN E
- ⊙\* LIGHT STANDARD TYPE 9-40  
200 WATT H.P.S. LUMINAIRE  
LIGHT BASE, DESIGN E.
- ⊙ LIGHTING STANDARD INPLACE, USE INPLACE  
LUMINAIRE INPLACE USE INPLACE  
LIGHT BASE INPLACE USE INPLACE
- ##### ABANDON ARMORED CABLE



SHEET TOTAL  
12 - 200 WATT HIGH PRESSURE SODIUM LIGHTING UNITS  
GRAND TOTAL  
26 - 200 WATT HIGH PRESSURE SODIUM LIGHTING UNITS  
10 - 175 WATT MERCURY VAPOR SIGN LIGHTS

EXHIBIT 16A  
T.H. 35E & C.S.A.H. 32  
DAKOTA ELEC. COOP.  
PARK & RIDE

LIGHTING  
FD. PT. EIK