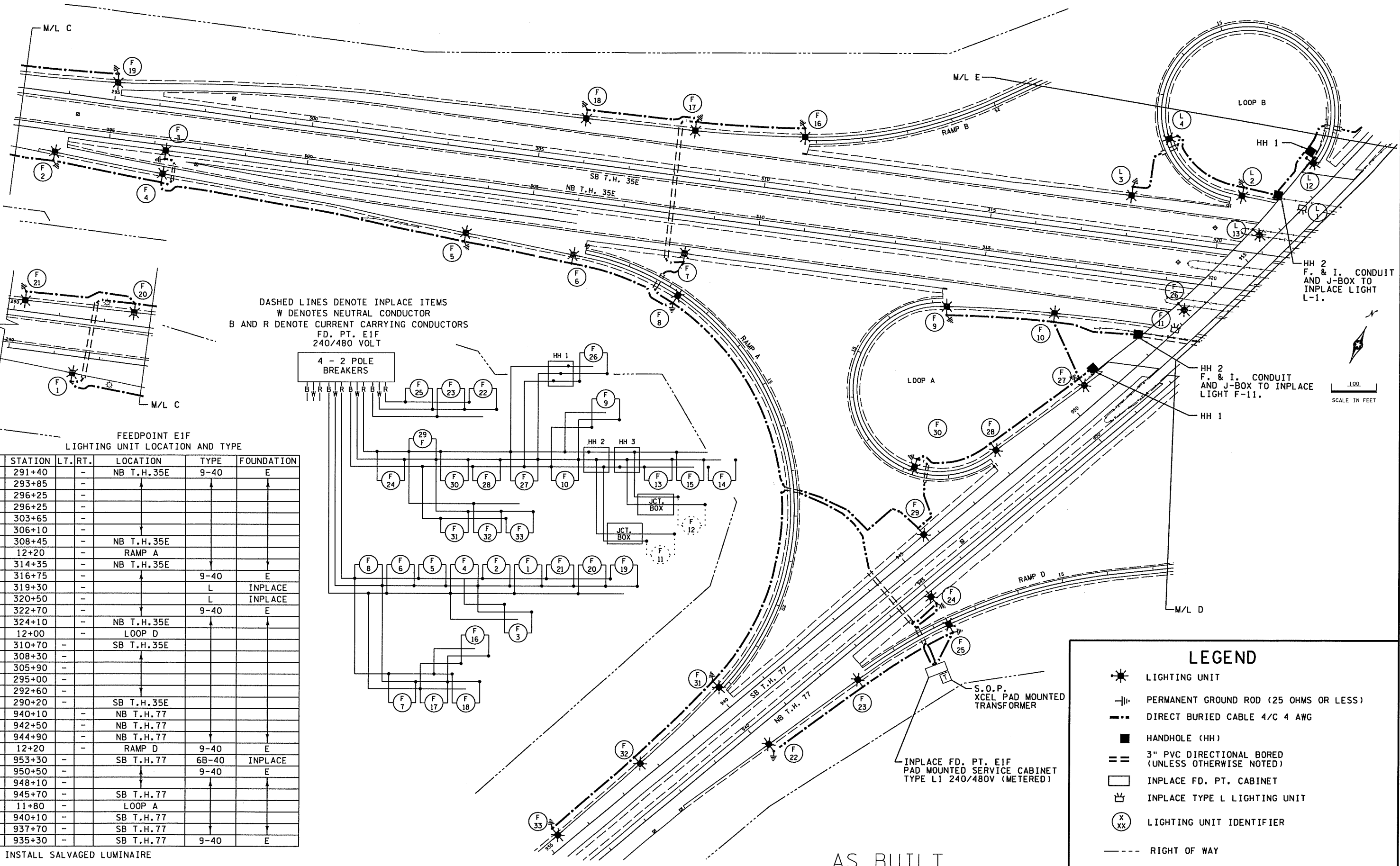


PLOTTED/REVISED: 24-JAN-2019

DISTRICT #: Metro  
 PLOT NAME: 1982-188J11-AB  
 PATH & FILENAME: Projects\DM\_R05\035E\0000\TrafficLighting\1982-188J11-AB.dgn



FEEDPOINT EIF  
 LIGHTING UNIT LOCATION AND TYPE

NO.	STATION	LT.	RT.	LOCATION	TYPE	FOUNDATION
1	291+40	-	-	NB T.H. 35E	9-40	E
2	293+85	-	-			
3	296+25	-	-			
4	296+25	-	-			
5	303+65	-	-			
6	306+10	-	-			
7	308+45	-	-	NB T.H. 35E		
8	12+20	-	-	RAMP A		
9	314+35	-	-	NB T.H. 35E		
10	316+75	-	-		9-40	E
11	319+30	-	-		L	INPLACE
12	320+50	-	-		L	INPLACE
13	322+70	-	-		9-40	E
14	324+10	-	-	NB T.H. 35E		
15	12+00	-	-	LOOP D		
16	310+70	-	-	SB T.H. 35E		
17	308+30	-	-			
18	305+90	-	-			
19	295+00	-	-			
20	292+60	-	-			
21	290+20	-	-	SB T.H. 35E		
22	940+10	-	-	NB T.H. 77		
23	942+50	-	-	NB T.H. 77		
24	944+90	-	-	NB T.H. 77		
25	12+20	-	-	RAMP D	9-40	E
26	953+30	-	-	SB T.H. 77	6B-40	INPLACE
27	950+50	-	-		9-40	E
28	948+10	-	-			
29	945+70	-	-	SB T.H. 77		
30	11+80	-	-	LOOP A		
31	940+10	-	-	SB T.H. 77		
32	937+70	-	-	SB T.H. 77		
33	935+30	-	-	SB T.H. 77	9-40	E

(1) INSTALL SALVAGED LUMINAIRE

### LEGEND

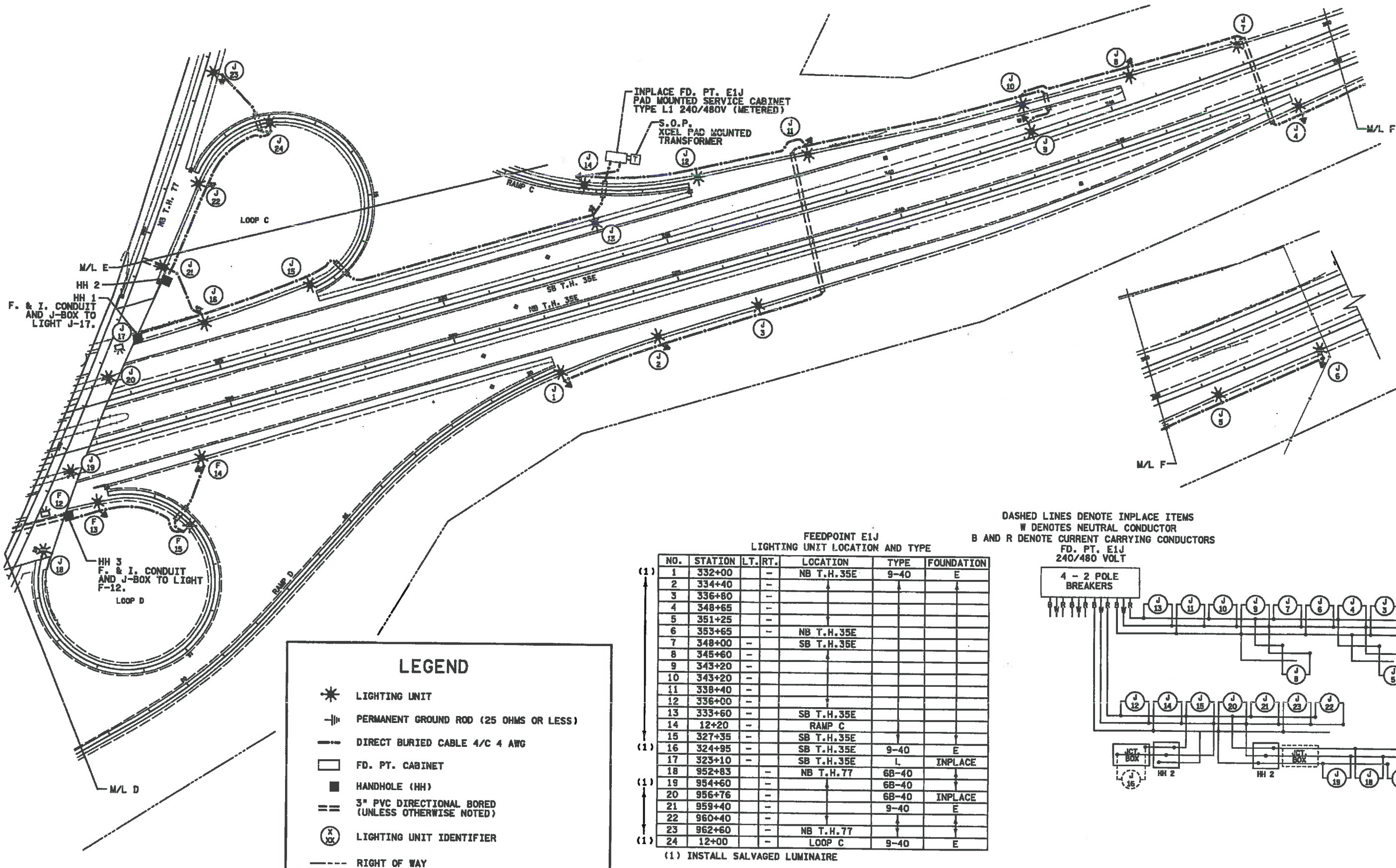
- LIGHTING UNIT
- PERMANENT GROUND ROD (25 OHMS OR LESS)
- DIRECT BURIED CABLE 4/C 4 AWG
- HANDHOLE (HH)
- 3" PVC DIRECTIONAL BORED (UNLESS OTHERWISE NOTED)
- INPLACE FD. PT. CABINET
- INPLACE TYPE L LIGHTING UNIT
- LIGHTING UNIT IDENTIFIER
- RIGHT OF WAY

AS BUILT

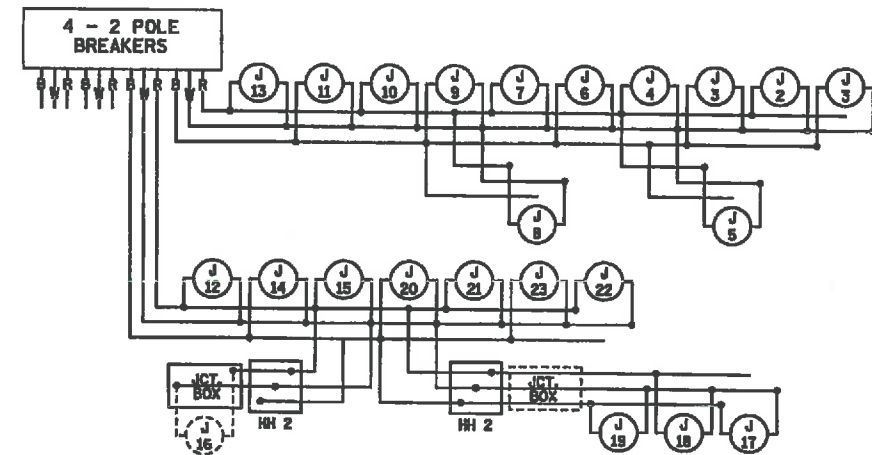
BY	DATE	REVISIONS	FEEDPOINT: EIF	LOCATION: T.H. 77	<h2 style="margin: 0;">LIGHTING PLAN</h2>
HL	1/24/19	CONSTRUCTION FIELD CHANGES	METER ADDRESS: 4960 CEADER ACE., EAGAN, MN 55122		
DRAWN BY: JC			CERTIFIED BY:		STATE PROJ. NO. 1982-188 (T.H. 35E) SHEET NO. 16 OF 28 SHEETS
CKD BY: PB			LIC. NO. 19863 DATE: 24-JAN-2019		

PLOTTED/REVISED: 12/12/2017

DISTRICT #: METRO  
 IPLOT NAME: T1982-188.LIT.L05  
 PATH & FILENAME: IP\_FWP-d1893175/T1982-188.LIT.L0.dgn



DASHED LINES DENOTE INPLACE ITEMS  
 W DENOTES NEUTRAL CONDUCTOR  
 B AND R DENOTE CURRENT CARRYING CONDUCTORS  
 FD. PT. E1J  
 240/480 VOLT



**LEGEND**

- LIGHTING UNIT
- PERMANENT GROUND ROD (25 OHMS OR LESS)
- DIRECT BURIED CABLE 4/C 4 AWG
- FD. PT. CABINET
- HANDHOLE (HH)
- 3" PVC DIRECTIONAL BORED (UNLESS OTHERWISE NOTED)
- LIGHTING UNIT IDENTIFIER
- RIGHT OF WAY

**FEEDPOINT E1J  
 LIGHTING UNIT LOCATION AND TYPE**

NO.	STATION	LT.	RT.	LOCATION	TYPE	FOUNDATION
1	332+00	-	-	NB T.H.35E	9-40	E
2	334+40	-	-			
3	336+80	-	-			
4	348+65	-	-			
5	351+25	-	-			
6	353+65	-	-	NB T.H.35E		
7	348+00	-	-	SB T.H.35E		
8	345+60	-	-			
9	343+20	-	-			
10	343+20	-	-			
11	338+40	-	-			
12	336+00	-	-			
13	333+60	-	-	SB T.H.35E		
14	12+20	-	-	RAMP C		
15	327+35	-	-	SB T.H.35E		
16	324+95	-	-	SB T.H.35E	9-40	E
17	323+10	-	-	SB T.H.35E	L	INPLACE
18	952+83	-	-	NB T.H.77	6B-40	
19	954+60	-	-		6B-40	
20	956+76	-	-		6B-40	INPLACE
21	959+40	-	-		9-40	E
22	960+40	-	-			
23	962+60	-	-	NB T.H.77		
24	12+00	-	-	LOOP C	9-40	E

(1) INSTALL SALVAGED LUMINAIRE

BY	DATE	REVISIONS	FEEDPOINT: E1J      LOCATION: T.H. 77	<b>LIGHTING PLAN</b>
			METER ADDRESS: 2700 KINGS RD., EAGAN, MN 55122	
DRAWN BY: JC      CKD BY: PB			CERTIFIED BY: <i>Michael P. Sulbrink</i> LIC. NO. 19863      DATE: 12/12/2017	STATE PROJ. NO. 1982-188 (T.H. 35E) SHEET NO. 17 OF 28 SHEETS