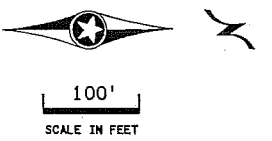
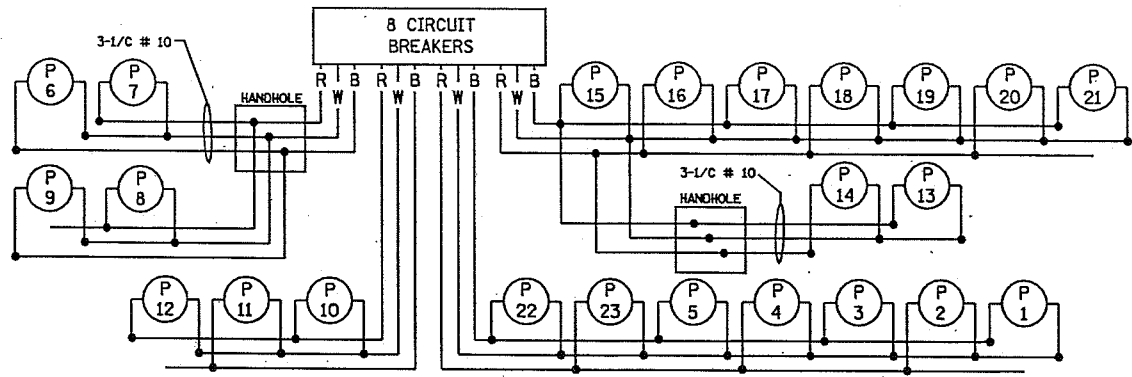
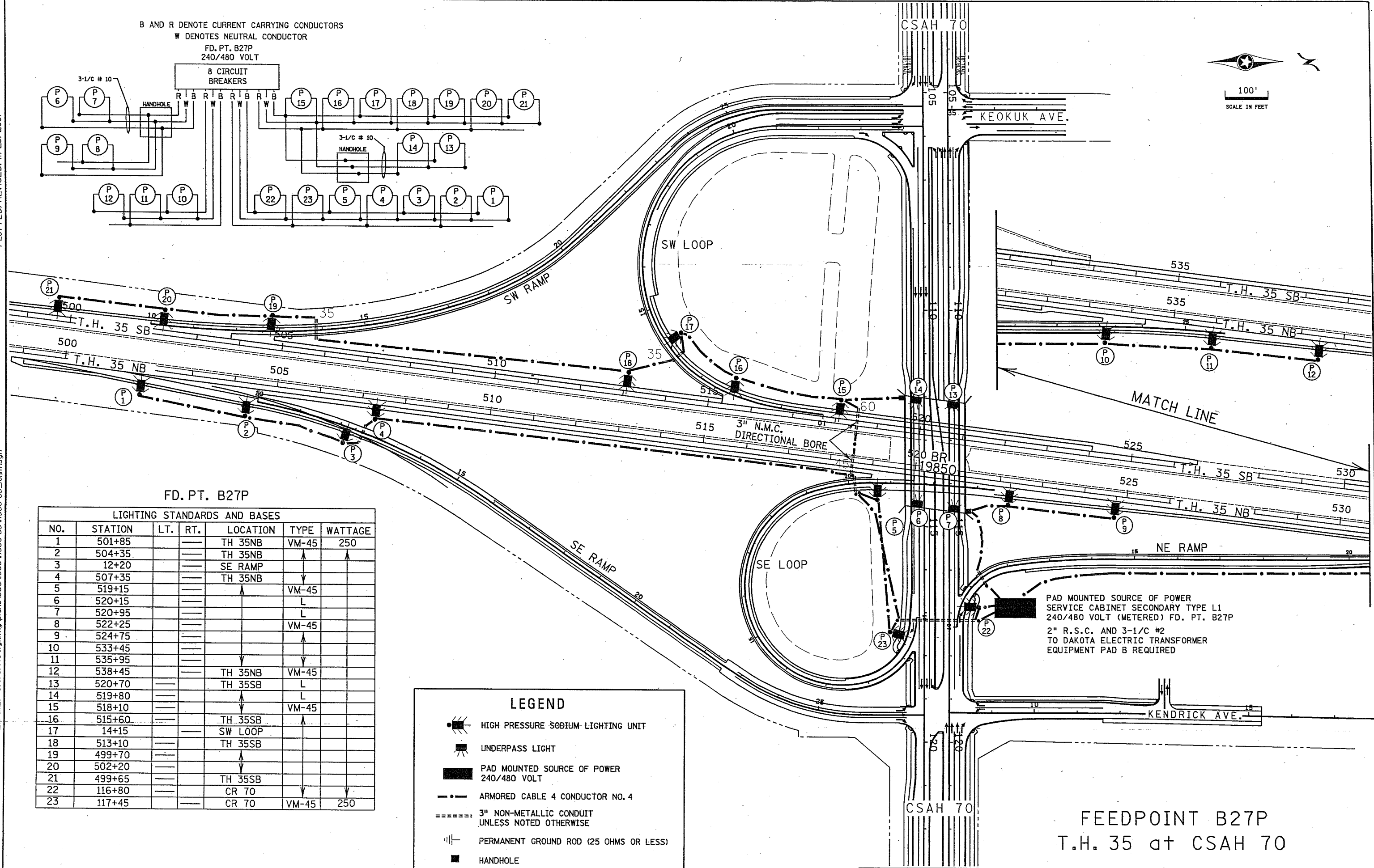


B AND R DENOTE CURRENT CARRYING CONDUCTORS
 W DENOTES NEUTRAL CONDUCTOR
 FD. PT. B27P
 240/480 VOLT



PLOTTED/REVISED: 11/28/2007

DISTRICT #: METRO
 I/PLOT NAME: 1980-68.J0
 PATH & FILENAME: s:\Vr\Traffic\Lighting\plans\035\980\1980-68\1980-68_L011fr.dgn



FD. PT. B27P

LIGHTING STANDARDS AND BASES						
NO.	STATION	LT.	RT.	LOCATION	TYPE	WATTAGE
1	501+85			TH 35NB	VM-45	250
2	504+35			TH 35NB	↑	↑
3	12+20			SE RAMP	↑	↑
4	507+35			TH 35NB	↓	↓
5	519+15			↑	VM-45	↑
6	520+15			↑	L	↑
7	520+95			↑	L	↑
8	522+25			↑	VM-45	↑
9	524+75			↑	↑	↑
10	533+45			↑	↑	↑
11	535+95			↓	↓	↓
12	538+45			TH 35NB	VM-45	↑
13	520+70			TH 35SB	L	↑
14	519+80			↑	L	↑
15	518+10			↑	VM-45	↑
16	515+60			TH 35SB	↑	↑
17	14+15			SW LOOP	↑	↑
18	513+10			TH 35SB	↑	↑
19	499+70			↑	↑	↑
20	502+20			↑	↑	↑
21	499+65			TH 35SB	↓	↓
22	116+80			CR 70	VM-45	250
23	117+45			CR 70	VM-45	250

LEGEND

- HIGH PRESSURE SODIUM LIGHTING UNIT
- UNDERPASS LIGHT
- PAD MOUNTED SOURCE OF POWER 240/480 VOLT
- ARMORED CABLE 4 CONDUCTOR NO. 4
- 3" NON-METALLIC CONDUIT UNLESS NOTED OTHERWISE
- PERMANENT GROUND ROD (25 OHMS OR LESS)
- HANDHOLE

PAD MOUNTED SOURCE OF POWER
 SERVICE CABINET SECONDARY TYPE L1
 240/480 VOLT (METERED) FD. PT. B27P
 2" R.S.C. AND 3-1/C #2
 TO DAKOTA ELECTRIC TRANSFORMER
 EQUIPMENT PAD B REQUIRED

FEEDPOINT B27P
 T.H. 35 at CSAH 70

LIGHTING PLAN