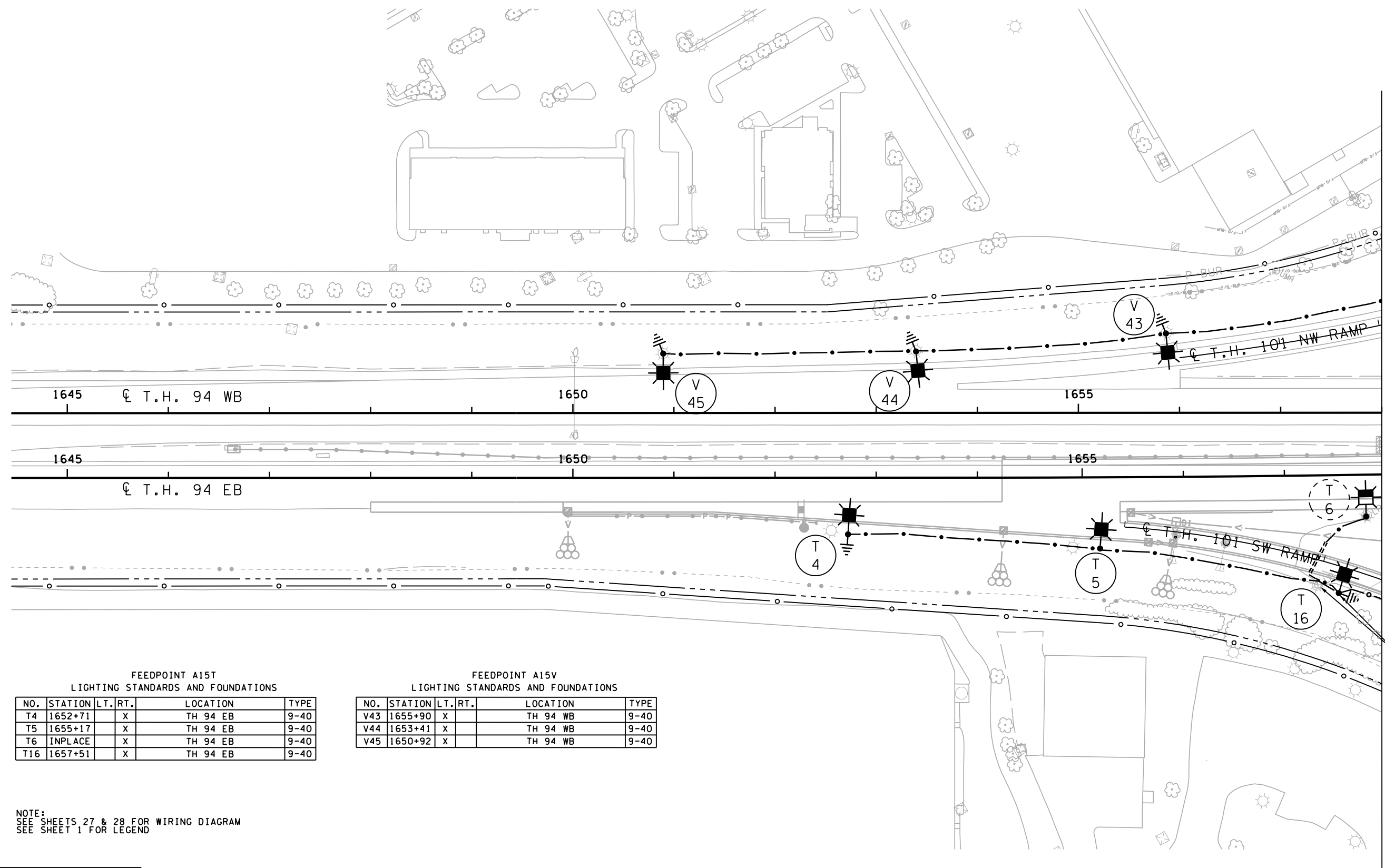
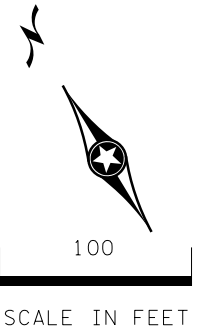


PLOTTED/REVISED: 23-NOV-2022

PATH & FILENAME: Minneapolis\_MN\01\_Projects\176174\_194\_MPLGR\_DB\4) DGN\_Sheets\Illumination\C02278097\_101.dgn



MATCH LINE STA 1658+00

INTERCEPT AND REROUTE EXISTING BRANCH WIRE TO NEW LOCATION.

FEEDPOINT A15T  
LIGHTING STANDARDS AND FOUNDATIONS

NO.	STATION	LT.	RT.	LOCATION	TYPE
T4	1652+71	X		TH 94 EB	9-40
T5	1655+17	X		TH 94 EB	9-40
T6	INPLACE	X		TH 94 EB	9-40
T16	1657+51	X		TH 94 EB	9-40

FEEDPOINT A15V  
LIGHTING STANDARDS AND FOUNDATIONS

NO.	STATION	LT.	RT.	LOCATION	TYPE
V43	1655+90	X		TH 94 WB	9-40
V44	1653+41	X		TH 94 WB	9-40
V45	1650+92	X		TH 94 WB	9-40

NOTE:  
SEE SHEETS 27 & 28 FOR WIRING DIAGRAM  
SEE SHEET 1 FOR LEGEND


NO	DATE	DWN	CKD	REVISIONS

**C.S. McCrossan** **Michael Baker**  
INTERNATIONAL

I HEREBY CERTIFY THAT THIS SHEET WAS PREPARED BY ME OR UNDER MY DIRECT SUPERVISION AND THAT I AM A DULY LICENSED PROFESSIONAL ENGINEER UNDER THE LAWS OF THE STATE OF MINNESOTA.

PRINT NAME: STEVEN STUART, PE  
SIGNATURE: \_\_\_\_\_  
DATE 12-24-2021 LICENSE #57479

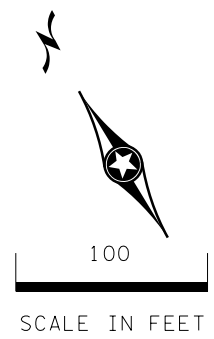
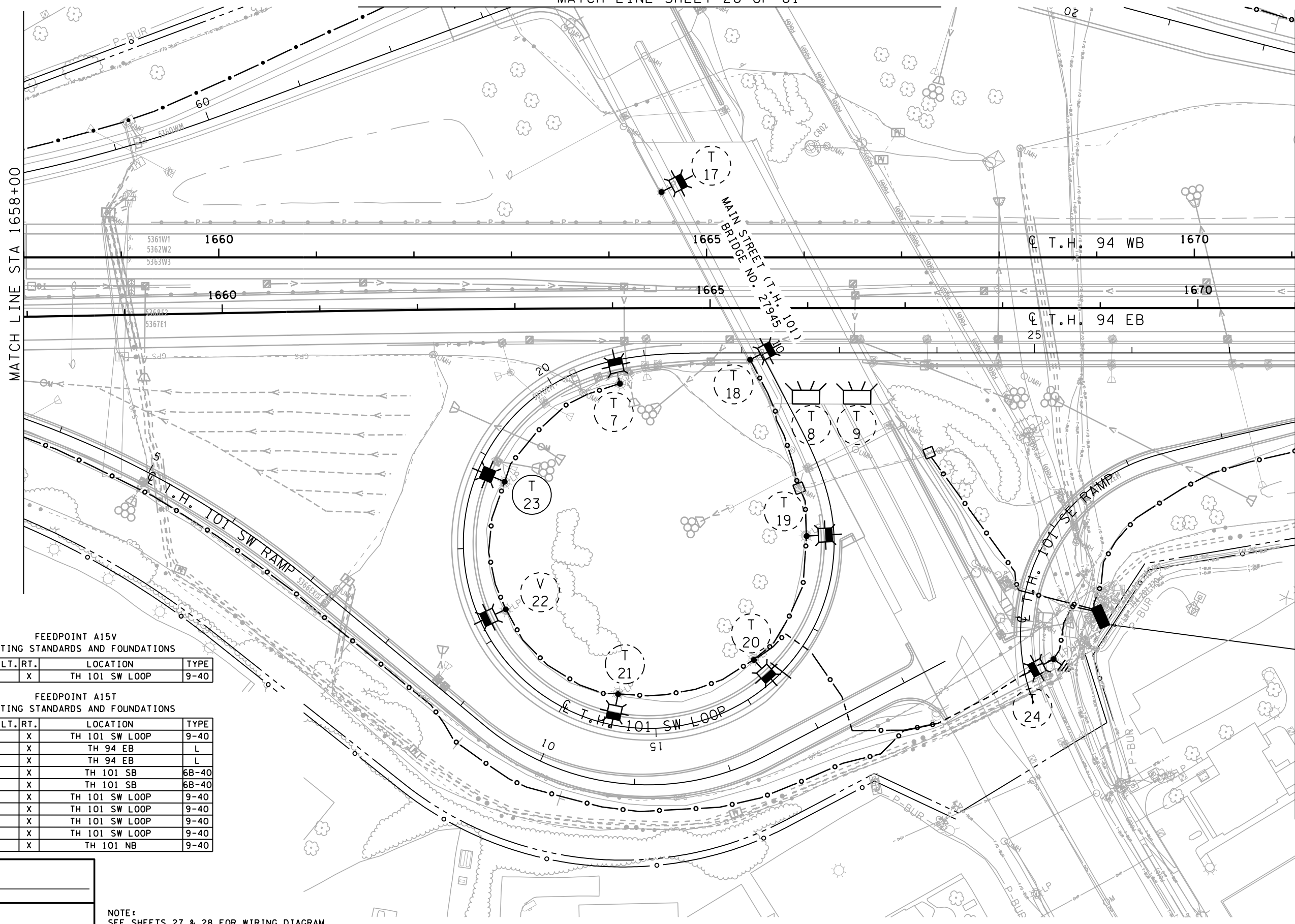
LIGHTING PLAN  
POB TO STA 1658+00

I-94 MAPLE GROVE TO ROGERS DB (S.P. 2780-97)  
SHEET NO. SL24 OF SL61 SHEETS

PLOTTED/REVISED: 23-NOV-2022

PATH & FILENAME: Minneapolis\_MN\01\_Projects\176174\_194\_MPLGR\_DB\41\_DGN\_Sheets\illumination\CD278097\_1102.dgn

MATCH LINE SHEET 26 OF 61



FEEDPOINT A15V  
LIGHTING STANDARDS AND FOUNDATIONS

NO.	STATION	LT.	RT.	LOCATION	TYPE
V22	INPLACE	X		TH 101 SW LOOP	9-40

FEEDPOINT A15T  
LIGHTING STANDARDS AND FOUNDATIONS

NO.	STATION	LT.	RT.	LOCATION	TYPE
T7	INPLACE	X		TH 101 SW LOOP	9-40
T8	INPLACE	X		TH 94 EB	L
T9	INPLACE	X		TH 94 EB	L
T17	INPLACE	X		TH 101 SB	6B-40
T18	INPLACE	X		TH 101 SB	6B-40
T19	INPLACE	X		TH 101 SW LOOP	9-40
T20	INPLACE	X		TH 101 SW LOOP	9-40
T21	INPLACE	X		TH 101 SW LOOP	9-40
T23	18+81	X		TH 101 SW LOOP	9-40
T24	INPLACE	X		TH 101 NB	9-40

FD.PT. A15T  
240/480V (METERED)  
INTERCEPT AND CONNECT  
EXISTING BRANCH  
CIRCUIT WIRING.

NOTE:  
SEE SHEETS 27 & 28 FOR WIRING DIAGRAM  
SEE SHEET 1 FOR LEGEND

NO.	DATE	DWN	CKD	REVISIONS

**C.S. McCrossan** **Michael Baker**  
INTERNATIONAL

I HEREBY CERTIFY THAT THIS SHEET WAS PREPARED BY ME OR UNDER MY DIRECT SUPERVISION AND THAT I AM A DULY LICENSED PROFESSIONAL ENGINEER UNDER THE LAWS OF THE STATE OF MINNESOTA.

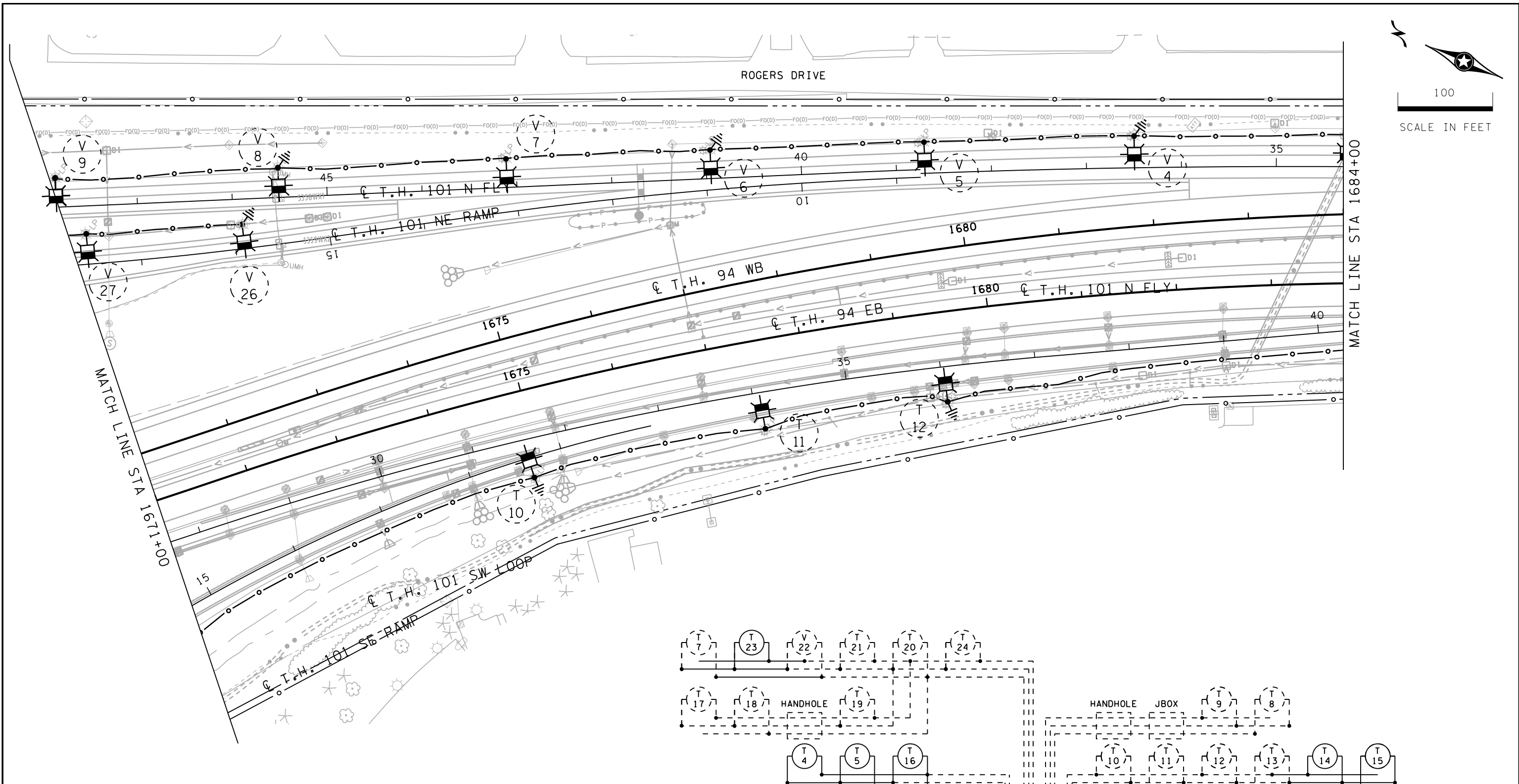
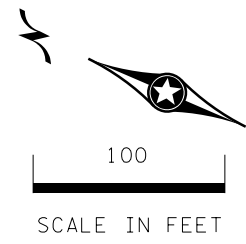
PRINT NAME: STEVEN STUART, PE  
SIGNATURE: \_\_\_\_\_  
DATE 12-24-2021 LICENSE #57479

LIGHTING PLAN  
STA 1658+00 TO STA 1671+00

I-94 MAPLE GROVE TO ROGERS DB (S.P. 2780-97)  
SHEET NO. SL25 OF SL61 SHEETS

PLOTTED/REVISED: 23-NOV-2022

PATH & FILENAME: Minneapolis\_MN\01\_Projects\176174\_194\_MPLGR\_DB\4) DGN\Sheets\illumination\02278097\_1104.dgn



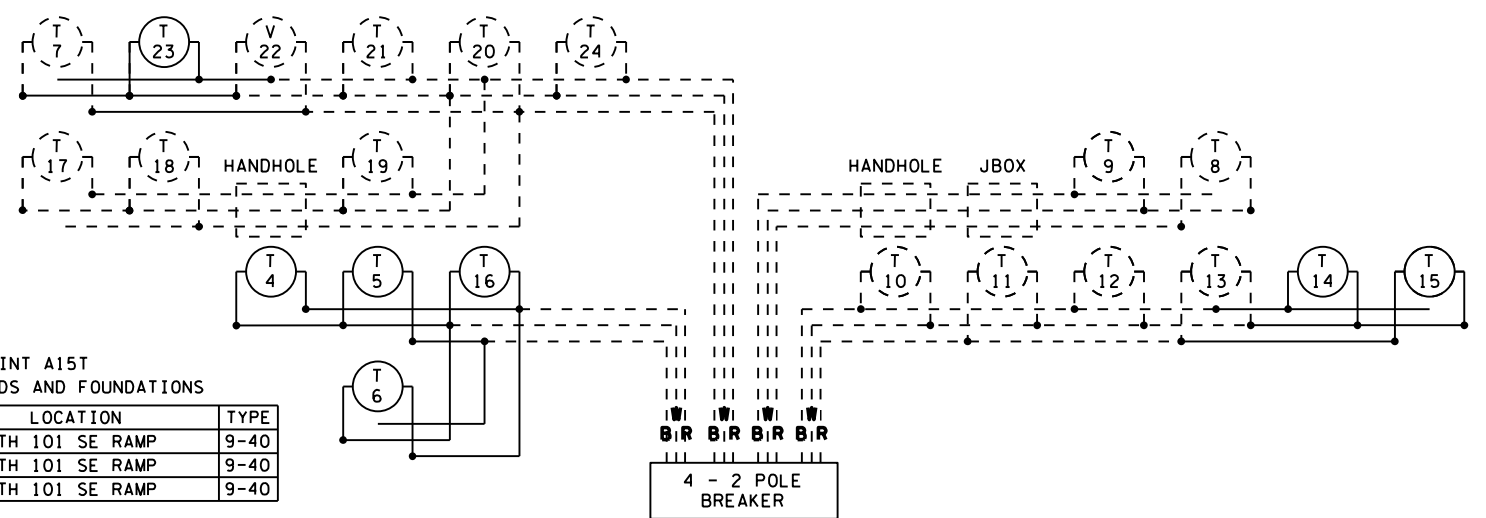
FEEDPOINT A15V & A15T  
LIGHTING STANDARDS AND FOUNDATIONS

NO.	STATION	LT.	RT.	LOCATION	TYPE
V4	INPLACE	X		TH 101 N FLY	9-40
V5	INPLACE	X		TH 101 N FLY	9-40
V6	INPLACE	X		TH 101 N FLY	9-40
V7	INPLACE	X		TH 101 N FLY	9-40
V8	INPLACE	X		TH 101 N FLY	9-40
V9	INPLACE	X		TH 101 N FLY	9-40
V26	INPLACE	X		TH 101 NE RAMP	9-40
V27	INPLACE	X		TH 101 NE RAMP	9-40

FEEDPOINT A15T  
LIGHTING STANDARDS AND FOUNDATIONS

NO.	STATION	LT.	RT.	LOCATION	TYPE
T10	INPLACE	X		TH 101 SE RAMP	9-40
T11	INPLACE	X		TH 101 SE RAMP	9-40
T12	INPLACE	X		TH 101 SE RAMP	9-40

NOTE:  
SEE SHEET 28 FOR WIRING DIAGRAM  
SEE SHEET 1 FOR LEGEND



CABINET TYPE L1  
240/480 VOLT  
FD. PT. A15T  
W DENOTES NEUTRAL CONDUCTOR  
B AND R DENOTE CURRENT CARRYING CONDUCTORS

NO	DATE	DWN	CKD	REVISIONS

**C.S. McCrossan** **Michael Baker**  
INTERNATIONAL

I HEREBY CERTIFY THAT THIS SHEET WAS PREPARED BY ME OR UNDER MY DIRECT SUPERVISION AND THAT I AM A DULY LICENSED PROFESSIONAL ENGINEER UNDER THE LAWS OF THE STATE OF MINNESOTA.

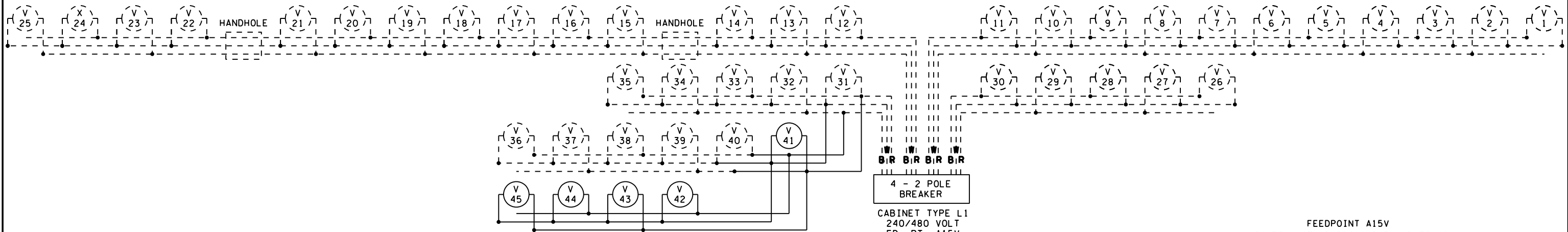
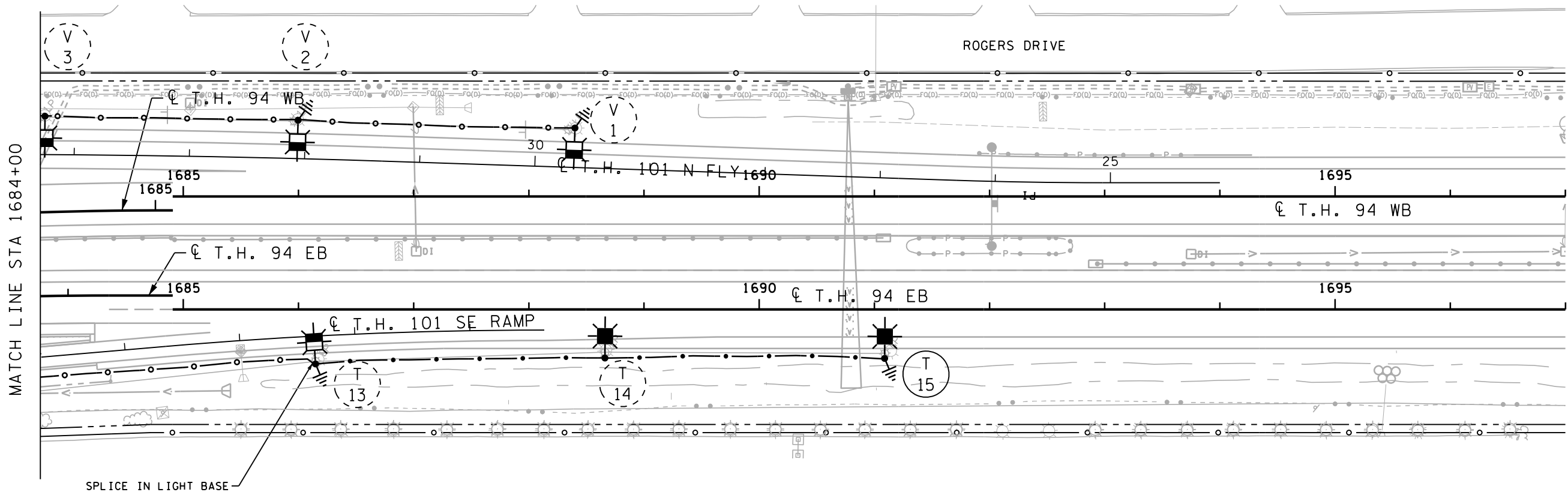
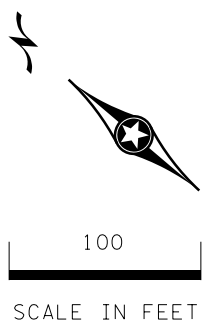
PRINT NAME: STEVEN STUART, PE  
SIGNATURE: \_\_\_\_\_  
DATE 12-24-2021 LICENSE #57479

LIGHTING PLAN  
STA 1671+00 TO STA 1684+00

I-94 MAPLE GROVE TO ROGERS DB (S.P. 2780-97)  
SHEET NO. SL27 OF SL61 SHEETS

PLOTTED/REVISED: 23-NOV-2022

PATH & FILENAME: Minneapolis\_MN\01\_Projects\176174\_194\_MPLGR\_DB\4) DGN\_Sheets\Illumination\02278097\_1105.dgn



4 - 2 POLE BREAKER  
 CABINET TYPE L1  
 240/480 VOLT  
 FD. PT. A15V  
 W DENOTES NEUTRAL CONDUCTOR  
 B AND R DENOTE CURRENT CARRYING CONDUCTORS

FEEDPOINT A15V  
 LIGHTING STANDARDS AND FOUNDATIONS

NO.	STATION	LT.	RT.	LOCATION	TYPE
V1	INPLACE	X		TH 94 WB	9-40
V2	INPLACE	X		TH 94 WB	9-40
V3	INPLACE	X		TH 94 WB	9-40

FEEDPOINT A15T  
 LIGHTING STANDARDS AND FOUNDATIONS

NO.	STATION	LT.	RT.	LOCATION	TYPE
T13	INPLACE		X	TH 94 EB	9-40
T14	1688+66		X	TH 94 EB	9-40
T15	1691+09		X	TH 94 EB	9-40

NOTE:  
 SEE SHEET 1 FOR LEGEND


NO	DATE	DWN	CKD	REVISIONS

**C.S. McCrossan** **Michael Baker**  
 INTERNATIONAL

I HEREBY CERTIFY THAT THIS SHEET WAS PREPARED BY ME OR UNDER MY DIRECT SUPERVISION AND THAT I AM A DULY LICENSED PROFESSIONAL ENGINEER UNDER THE LAWS OF THE STATE OF MINNESOTA.

PRINT NAME: STEVEN STUART, PE  
 SIGNATURE: \_\_\_\_\_  
 DATE 12-24-2021 LICENSE #57479

LIGHTING PLANS  
 STA 1684+00 TO STA 1697+00

I-94 MAPLE GROVE TO ROGERS DB (S.P. 2780-97)  
 SHEET NO. SL28 OF SL61 SHEETS