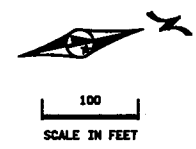
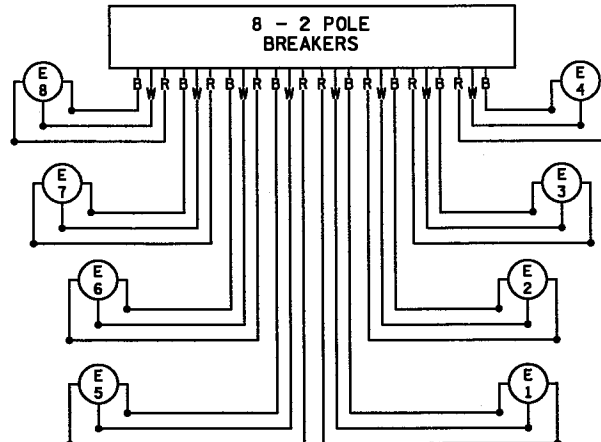


LEGEND

- INSTALL T-140 LIGHTING UNIT
- LIGHT TOWER FOUNDATION
- LIGHTING UNIT
- LIGHT TOWER FOUNDATION
- LIGHTING UNIT
- LIGHT TOWER FOUNDATION
- LIGHTING UNIT
- LIGHT TOWER FOUNDATION
- LIGHTING UNIT
- LIGHT TOWER FOUNDATION
- PAD MOUNTED FD. PT. CABINET 240/480 VOLT
EQUIPMENT PAD B
- DIRECT BURIED CABLE 4 CONDUCTOR NO. 4
- 3" PVC (UNLESS NOTED OTHERWISE)
- ABANDONED TOWER FOUNDATION
- INPLACE LIGHTING UNIT

UTILITY OWNERSHIP	
BURIED FIBER - F/O - BUR -	Mn/DOT OR AT & T
BURIED ELECTRIC 	Mn/DOT
OVERHEAD ELECTRIC - OHU -	XCEL ENERGY
BURIED ELECTRIC - SIG - BUR -	Mn/DOT
- P - BUR -	WRIGHT HENNEPIN COOP

W DENOTES NEUTRAL CONDUCTOR
B AND R DENOTE CURRENT CARRYING CONDUCTORS
FD. PT. A14E
240/480 VOLT



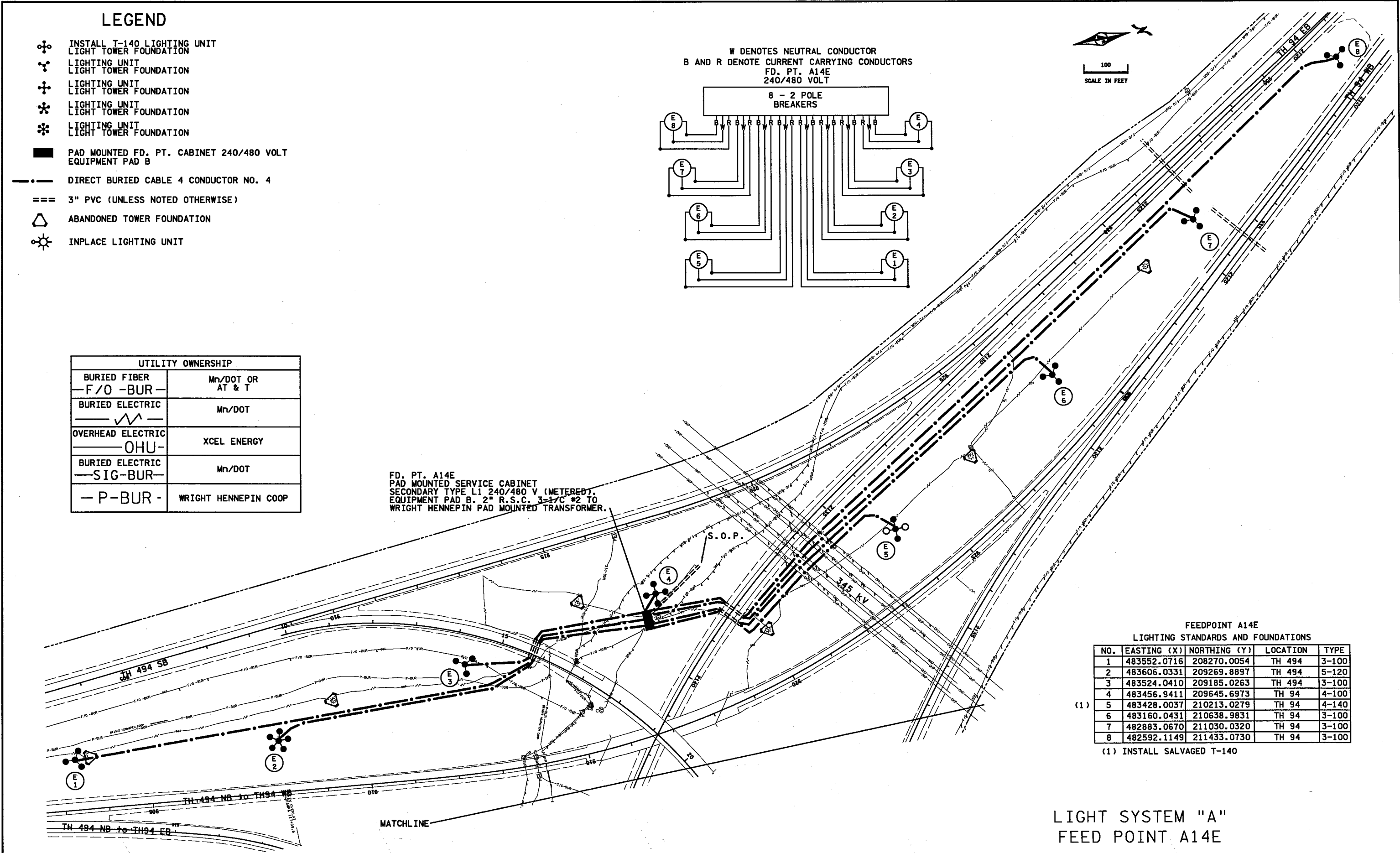
FD. PT. A14E
PAD MOUNTED SERVICE CABINET
SECONDARY TYPE L1 240/480 V (METERED).
EQUIPMENT PAD B. 2" R.S.C. 3-1/2" #2 TO
WRIGHT HENNEPIN PAD MOUNTED TRANSFORMER.

FEEDPOINT A14E
LIGHTING STANDARDS AND FOUNDATIONS

NO.	EASTING (X)	NORTHING (Y)	LOCATION	TYPE
1	483552.0716	208270.0054	TH 494	3-100
2	483606.0331	209269.8897	TH 494	5-120
3	483524.0410	209185.0263	TH 494	3-100
4	483456.9411	209645.6973	TH 94	4-100
5	483428.0037	210213.0279	TH 94	4-140
6	483160.0431	210638.9831	TH 94	3-100
7	482883.0670	211030.0320	TH 94	3-100
8	482592.1149	211433.0730	TH 94	3-100

(1) INSTALL SALVAGED T-140

DISTRICT #: METRO
 PLOT NAME: 12780-90J1012
 PATH & FILENAME: IP_PWP-d1593295v2780-90J1012.dgn



LIGHT SYSTEM "A"
FEED POINT A14E

BY	DATE	REVISIONS	FEEDPOINT: A14E METER ADDRESS:	LOCATION: AT INTERCHANGE WITH T.H. 494/694	LIGHTING PLAN
DRAWN BY: PB	CKD BY: GB	DATE: 7/2014	CERTIFIED BY: <i>Michael P. Lubinsky</i>	LIC. NO. 19863 DATE: 12/1/2014	
STATE PROJ. NO. 2780-90 (T.H. 94) SHEET NO. 12 OF 13 SHEETS					