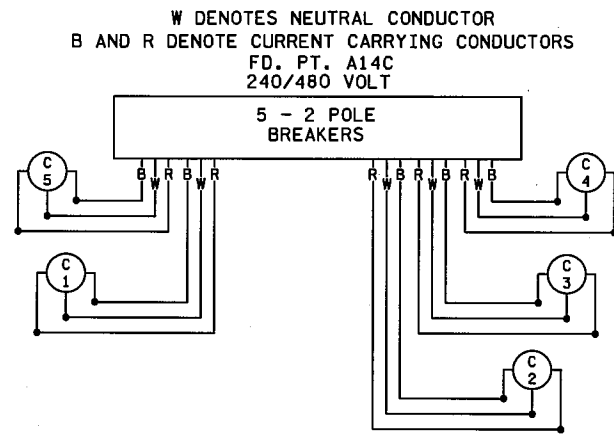
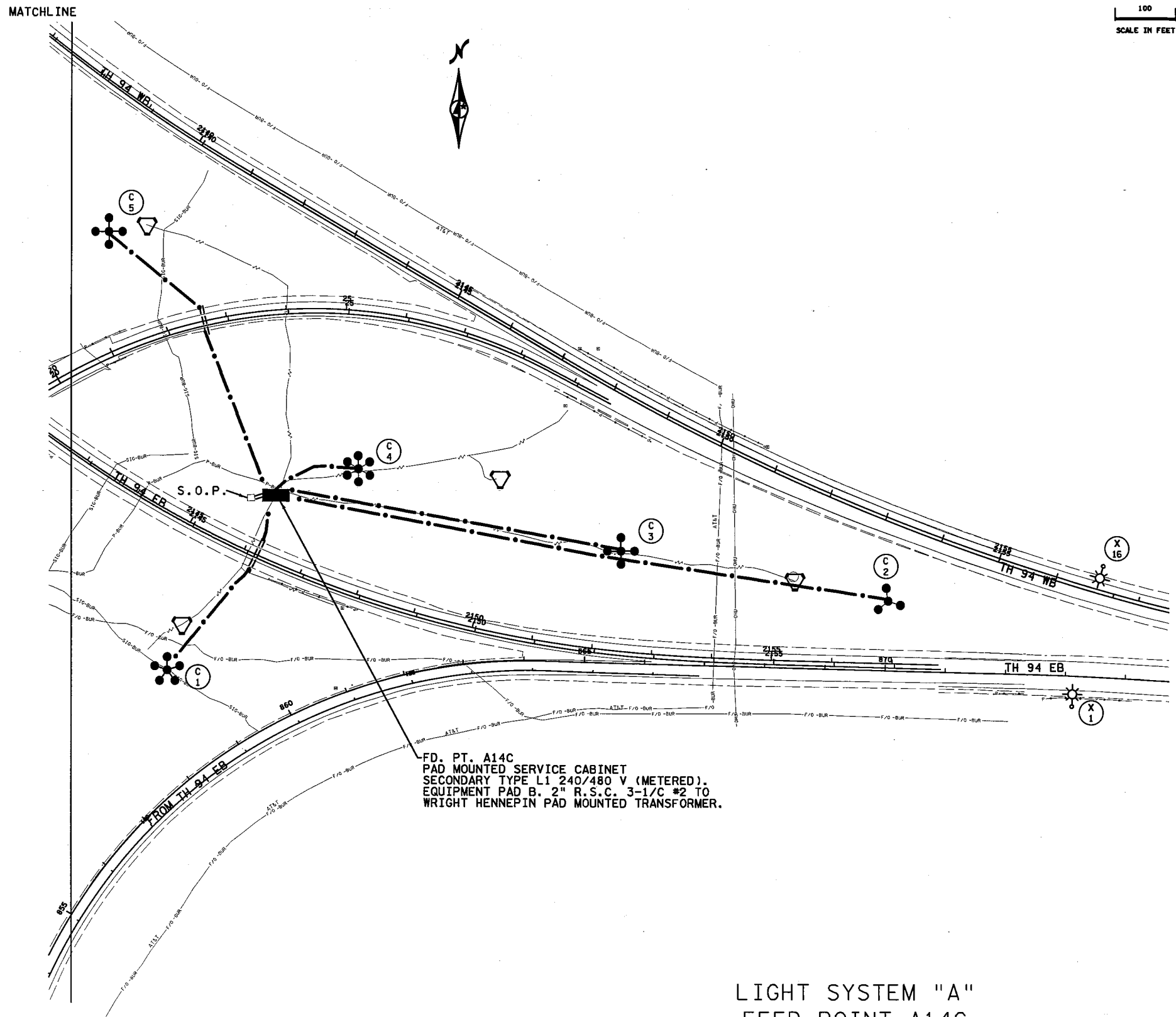


SEE LEGEND SHEET 12



FEEDPOINT A14C
LIGHTING STANDARDS AND FOUNDATIONS

NO.	EASTING (X)	NORTHING (Y)	LOCATION	TYPE
1	484024.0401	209153.0262	TH 94	5-120
2	485220.7370	209269.8897	TH 94	3-100
3	484775.9508	209351.7134	TH 94	4-100
4	484341.0462	209487.0477	TH 94	6-140
5	483926.0520	209879.9856	TH 94	4-140



LIGHT SYSTEM "A"
FEED POINT A14C

BY	DATE	REVISIONS	FEEDPOINT: A14C	LOCATION: AT TH 494	LIGHTING PLAN
			METER ADDRESS:		
DRAWN BY: PB CKD BY: GB DATE: 7/2014			CERTIFIED BY: <i>Michael P. Gubinsky</i>	LIC. NO. 19863 DATE: 11/7/2014	STATE PROJ.NO. 2780-90 (T.H. 94) SHEET NO. 13 OF 13 SHEETS

DISTRICT #: METRO
 PLOT NAME: 12780-90j110
 PATH & FILENAME: IP_PWP-d159329512780-90j110.dgn
 PLOTTED/REVISED: 11/7/2014