

FD. PT. A10L

LIGHTING STANDARDS AND BASES

NO.	STATION	LT	RT	LOCATION	POLE TYPE	FIXTURE
1	973+83		61	EB 94	L	250 W HPS
2	976+00		72	EB 94	VM-49	400 W HPS
3	978+31		90	EB 94	VM-49	400 W HPS
4	980+84		46	SE LOOP 169	VM-45	250 W HPS
5	983+34		46	SE LOOP 169	VM-45	250 W HPS
6	981+06		56	EB 94	VM-49	400 W HPS
9	784+76		44	SE RAMP 169	VM-45	250 W HPS
10	782+23		44	SE RAMP 169	VM-45	250 W HPS
11	779+70		44	SE RAMP 169	VM-45	250 W HPS
12	784+89		60	NB 169	VM-45	250 W HPS
13	782+36		97	NB 169	VM-45	250 W HPS
14	779+81		48	NB 169	VM-45	250 W HPS
15						250 W HPS
16	777+27		48	NB 169	VMD-45	250 W HPS
17	774+71		85	NB 169	VM-45	250 W HPS
18	772+16		68	NB 169	VM-45	250 W HPS

16 FD. PT. A10S

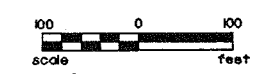
LIGHTING STANDARDS AND BASES

NO.	X	Y	STATION	LT	RT	LOCATION	POLE TYPE	FIXTURE
1			963+79		44	SW RAMP 169	VM-45	250 W HPS
2			968+23		44	SW RAMP 169	VM-45	250 W HPS
3			968+67		44	SW RAMP 169	VM-45	250 W HPS
4			971+11		44	SW RAMP 169	VM-45	250 W HPS
5			973+55		44	SW RAMP 169	VM-45	250 W HPS
6			976+00		44	SW RAMP 169	VM-45	250 W HPS
7			978+44		44	SW RAMP 169	VM-45	250 W HPS
8			775+43		81	SB 169	VM-45	250 W HPS
9			773+07		65	SB 169	VM-45	250 W HPS
10	495106	204800				SB 169	VM-45	250 W HPS
11			777+70		38	SB 169	VM-45	250 W HPS
12			779+94		56	SB 169	VM-45	250 W HPS
13			782+21		59	SB 169	VM-45	250 W HPS
14			963+88		52	EB 94	VM-49	400 W HPS
15			966+38		60	EB 94	VM-49	400 W HPS
16			968+88		60	EB 94	VM-49	400 W HPS
17			8+03		46	SW LOOP 169	VM-45	250 W HPS
18			5+52		46	SW LOOP 169	VM-45	250 W HPS
19	494904	206067				SW LOOP 169	VM-45	250 W HPS
20			784+48		71	SB 169	VM-45	250 W HPS
21			971+38		78	EB 94	VM-49	400 W HPS
22			973+18		60	EB 94	L	250 W HPS
23			786+98		33	SB 169	VMB-40	250 W HPS
24			961+36		44	SW RAMP 169	VM-45	250 W HPS
25			961+38		43	EB 94	VM-49	400 W HPS
26			958+87		86	EB 94	VM-49	400 W HPS
27			956+37		70	EB 94	VM-49	400 W HPS
28			953+67		60	EB 94	VM-49	400 W HPS

NOTES:

ALL CONDUIT UNDER THE INPLACE ROADWAY SHALL BE 3" RSC INSTALLED BY DIRECTIONAL BORING.

SEE LIGHTING STAGING PLANS FOR REMOVALS, SALVAGING, TEMPORARY LIGHTING AND STAGED PERMANENT CONSTRUCTION.



DESIGN FILE: D:\G1\11\10\4003-4004\10\ROADWAY\C2786115.LPC  
 PRE FILE: D:\G1\11\10\4003-4004\10\PRE.LPC  
 PLOT FILE: D:\G1\11\10\4003-4004\10\PLT.LPC  
 PLOT SCALE: 202.0270  
 PLOT DATE/TIME: 01/23/02 15:58:44

I hereby certify that this plan, specification, or report was prepared by me or under my direct supervision and that I am a duly Licensed Professional Engineer under the laws of the State of Minnesota.

Print Name: Brian D. Holt

Date: 1/23/02 License #: 21428

STATE AID PROJECT NO. \_\_\_\_\_

CITY PROJECT NO. \_\_\_\_\_

DRAWN BY: T. LA TOUR DATE: 12-01

DESIGNED BY: B. HOLT DATE: 12-01

CHECKED BY: B. HOLT DATE: 12-01

COMM. NO. 0014003



MINNESOTA DEPT. OF TRANSPORTATION

S.P. 2786-115 (TH 94)

LIGHTING PLANS & TABULATIONS

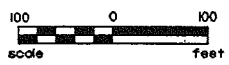
PERMANENT LIGHTING

SHEET 339 OF 468

FD. PT. A10H

LIGHTING STANDARDS AND BASES

NO.	X	Y	STATION	LT	RT	LOCATION	POLE TYPE	FIXTURE
1	497889	205668				NE LOOP BOONE	VM-45	250 W HPS
2	497916	205829				NE RAMP BOONE	VM-45	250 W HPS
3			3+51	56		NE RAMP BOONE	VM-45	250 W HPS
4			5+96	47		NE RAMP BOONE	VM-45	250 W HPS
5			8+41	42		NE RAMP BOONE	VM-45	250 W HPS
6			3+61		44	NE LOOP BOONE	VM-45	250 W HPS
7			5+79		44	NE LOOP BOONE	VM-45	250 W HPS
8			1001+29	57		WB 94	L	250 W HPS
9			998+75	69		WB 94	VM-49	400 W HPS
10			996+22	64		WB 94	VM-49	400 W HPS
11			993+68	60		WB 94	VM-49	400 W HPS
12			991+15	60		WB 94	VM-49	400 W HPS
13			988+61	60		WB 94	VM-49	400 W HPS
14			986+08	70		WB 94	VM-49	400 W HPS
15			983+54	86		WB 94	VM-49	400 W HPS
16			1003+37	48		WB 94	VM-49	400 W HPS
17			1005+56	48		WB 94	VM-49	400 W HPS
18			1007+75	48		WB 94	VM-49	400 W HPS
19			1009+94	42		WB 94	VMD-49	400 W HPS
20			1012+13	84		WB 94	VM-49	400 W HPS
21								



FD. PT. A10H 240/480 V. (METERED)  
SERVICE CABINET SECONDARY TYPE L1.  
EQUIPMENT PAD B REQUIRED.  
7030 BOONE AVE.  
EXCEL ENERGY

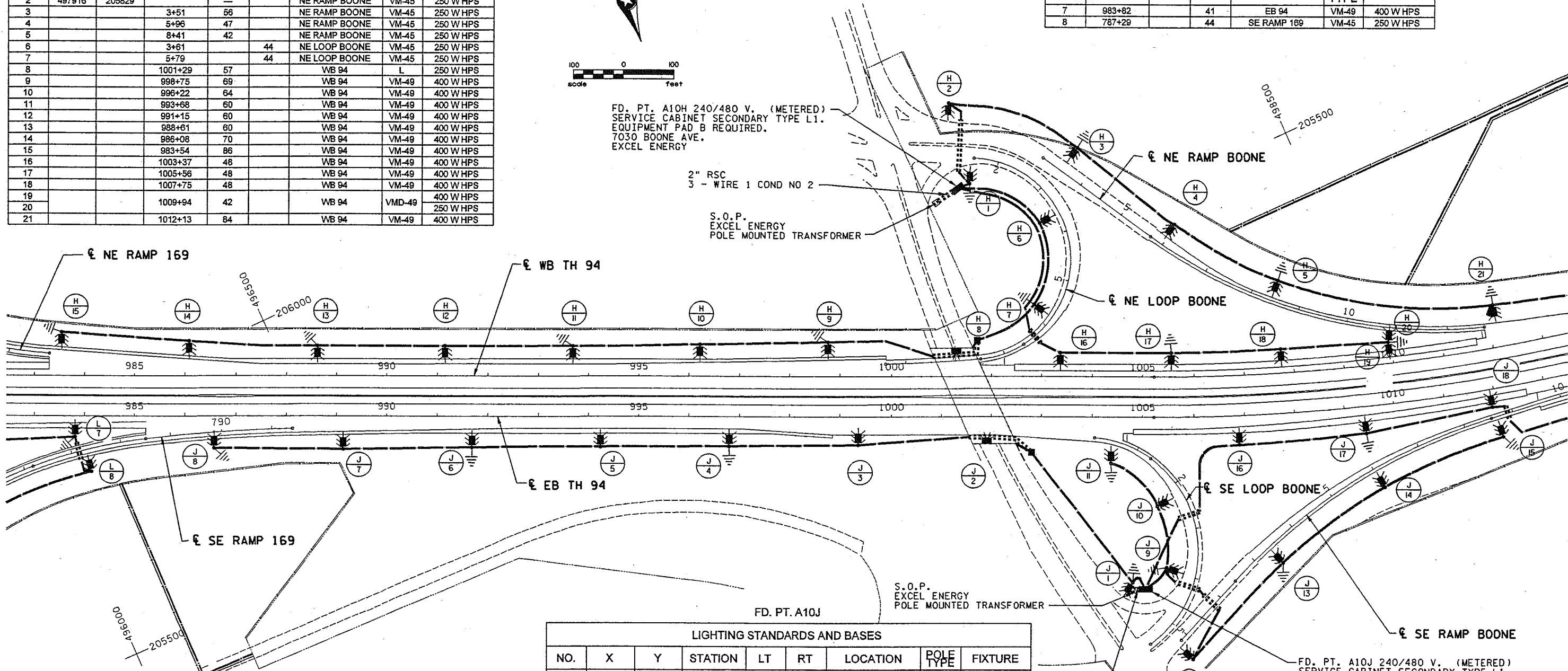
2" RSC  
3 - WIRE 1 COND NO 2

S.O.P.  
EXCEL ENERGY  
POLE MOUNTED TRANSFORMER

FD. PT. A10L

LIGHTING STANDARDS AND BASES

NO.	STATION	LT	RT	LOCATION	POLE TYPE	FIXTURE
7	983+82		41	EB 94	VM-49	400 W HPS
8	787+29		44	SE RAMP 169	VM-45	250 W HPS



S.O.P.  
EXCEL ENERGY  
POLE MOUNTED TRANSFORMER

FD. PT. A10J

LIGHTING STANDARDS AND BASES

NO.	X	Y	STATION	LT	RT	LOCATION	POLE TYPE	FIXTURE
1			4+71		111	SE LOOP BOONE	VM-45	250 W HPS
2			1001+91		53	EB 94	L	250 W HPS
3			999+35		56	EB 94	VM-49	400 W HPS
4			996+80		59	EB 94	VM-49	400 W HPS
5			994+24		60	EB 94	VM-49	400 W HPS
6			991+68		62	EB 94	VM-49	400 W HPS
7			989+13		66	EB 94	VM-49	400 W HPS
8			986+57		63	EB 94	VM-49	400 W HPS
9			3+89		58	SE LOOP BOONE	VM-45	250 W HPS
10			2+22		55	SE LOOP BOONE	VM-45	250 W HPS
11			1004+37		91	EB 94	VM-49	400 W HPS
12	497902	204625				SE RAMP BOONE	VM-45	250 W HPS
13			3+38		42	SE RAMP BOONE	VM-45	250 W HPS
14			6+03		42	SE RAMP BOONE	VM-45	250 W HPS
15			8+68		42	SE RAMP BOONE	VM-45	250 W HPS
16			1006+88		57	EB 94	VM-49	400 W HPS
17			1009+40		53	EB 94	VM-49	400 W HPS
18			1011+92		35	EB 94	VM-49	400 W HPS

FD. PT. A10J 240/480 V. (METERED)  
SERVICE CABINET SECONDARY TYPE L1.  
EQUIPMENT PAD B REQUIRED.  
6709 BOONE AVE.  
EXCEL ENERGY

2" RSC  
3 - WIRE 1 COND NO 2

NOTES:

ALL CONDUIT UNDER THE INPLACE ROADWAY SHALL BE 3" RSC INSTALLED BY DIRECTIONAL BORING.

SEE LIGHTING STAGING PLANS FOR REMOVALS, SALVAGING, TEMPORARY LIGHTING AND STAGED PERMANENT CONSTRUCTION.

DESIGN FILE: P:\CIVIL\1087\4003-4004\ROADWAY\2786115.LPE  
 PLOT FILE: P:\CIVIL\1087\4003-4004\PRF\ALPE.plt  
 PLOTTER: HP-HP5500  
 PLOT SCALE: 1"=200'  
 PLOT DATE/TIME: 05/11/02 15:38:15

NO	DATE	BY	CHKD	APPR	REVISION

NAME: C2786115.LPE DATE: Jan. 23, 2002

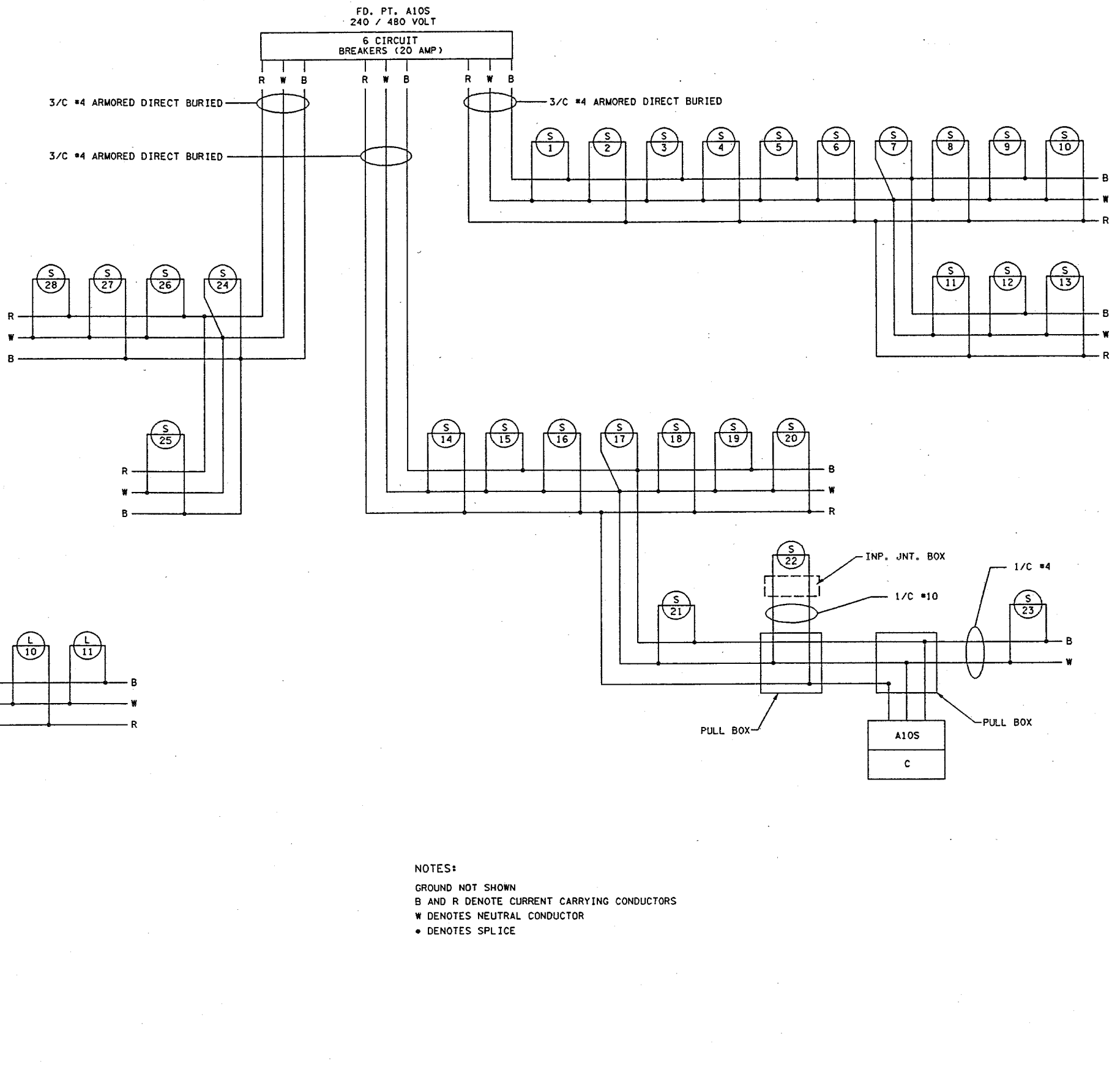
I hereby certify that this plan, specification, or report was prepared by me or under my direct supervision and that I am a duly Licensed Professional Engineer under the laws of the State of Minnesota.  
 Print Name: Brian D. Holt  
*Brian D. Holt*  
 Date: 3/13/02 License # 21428

STATE AID PROJECT NO. \_\_\_\_\_  
 CITY PROJECT NO. \_\_\_\_\_  
 DRAWN BY: T. LATOUR DATE: 12-01  
 DESIGNED BY: B. HOLT DATE: 12-01  
 CHECKED BY: B. HOLT DATE: 12-01  
 COMM. NO. 0014003



MINNESOTA DEPT. OF TRANSPORTATION  
 S.P. 2786-115 (TH 94)  
 LIGHTING PLANS & TABULATIONS  
 PERMANENT LIGHTING

SHEET 341 OF 468



NOTES:  
 GROUND NOT SHOWN  
 B AND R DENOTE CURRENT CARRYING CONDUCTORS  
 W DENOTES NEUTRAL CONDUCTOR  
 • DENOTES SPLICE

DESIGN FILE: D:\ACIV\11087\4003-4004\101\ROADWAY\c2786115.LPD  
 PLOT FILE: D:\ACIV\11087\4003-4004\101\ROADWAY\c2786115.LPD.plt  
 PLOTTER: HP-HP55.MK  
 PLOT SCALE: 202.02101  
 PLOT DATE/TIME: 01/23 15:59:17

NO	DATE	BY	CHKD	APPR	REVISION
NAME: C2786115.LPD DATE: Jan. 23, 2002					

I hereby certify that this plan, specification, or report was prepared by me or under my direct supervision and that I am a duly Licensed Professional Engineer under the laws of the State of Minnesota.  
 Print Name: Brian D. Holt  
 Date: 1/25/02 License # 21428

STATE AID PROJECT NO. \_\_\_\_\_  
 CITY PROJECT NO. \_\_\_\_\_  
 DRAWN BY: T. LATOUR DATE: 12-01  
 DESIGNED BY: B. HOLT DATE: 12-01  
 CHECKED BY: B. HOLT DATE: 12-01  
 COMM. NO. 004003



MINNESOTA DEPT. OF TRANSPORTATION  
 S.P. 2786-115 (TH 94)  
 LIGHTING PLANS & TABULATIONS  
 PERMANENT LIGHTING

SHEET 340 OF 468