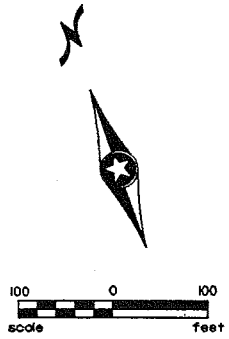


FD. PT. A10H

LIGHTING STANDARDS AND BASES

NO.	X	Y	STATION	LT	RT	LOCATION	POLE TYPE	FIXTURE
1	497889	205668				NE LOOP BOONE	VM-45	250 W HPS
2	497916	205829				NE RAMP BOONE	VM-45	250 W HPS
3			3+51	56		NE RAMP BOONE	VM-45	250 W HPS
4			5+96	47		NE RAMP BOONE	VM-45	250 W HPS
5			8+41	42		NE RAMP BOONE	VM-45	250 W HPS
6			3+61		44	NE LOOP BOONE	VM-45	250 W HPS
7			5+79		44	NE LOOP BOONE	VM-45	250 W HPS
8			1001+29	57		WB 94	L	250 W HPS
9			998+75	69		WB 94	VM-49	400 W HPS
10			996+22	64		WB 94	VM-49	400 W HPS
11			993+68	60		WB 94	VM-49	400 W HPS
12			991+15	60		WB 94	VM-49	400 W HPS
13			988+61	60		WB 94	VM-49	400 W HPS
14			986+08	70		WB 94	VM-49	400 W HPS
15			983+54	86		WB 94	VM-49	400 W HPS
16			1003+37	48		WB 94	VM-49	400 W HPS
17			1005+56	48		WB 94	VM-49	400 W HPS
18			1007+75	48		WB 94	VM-49	400 W HPS
19			1009+94	42		WB 94	VMD-49	400 W HPS
20			1012+13	84		WB 94	VM-49	400 W HPS
21								



FD. PT. A10H 240/480 V. (METERED)  
SERVICE CABINET SECONDARY TYPE L1.  
EQUIPMENT PAD B REQUIRED.  
7030 BOONE AVE.  
EXCEL ENERGY

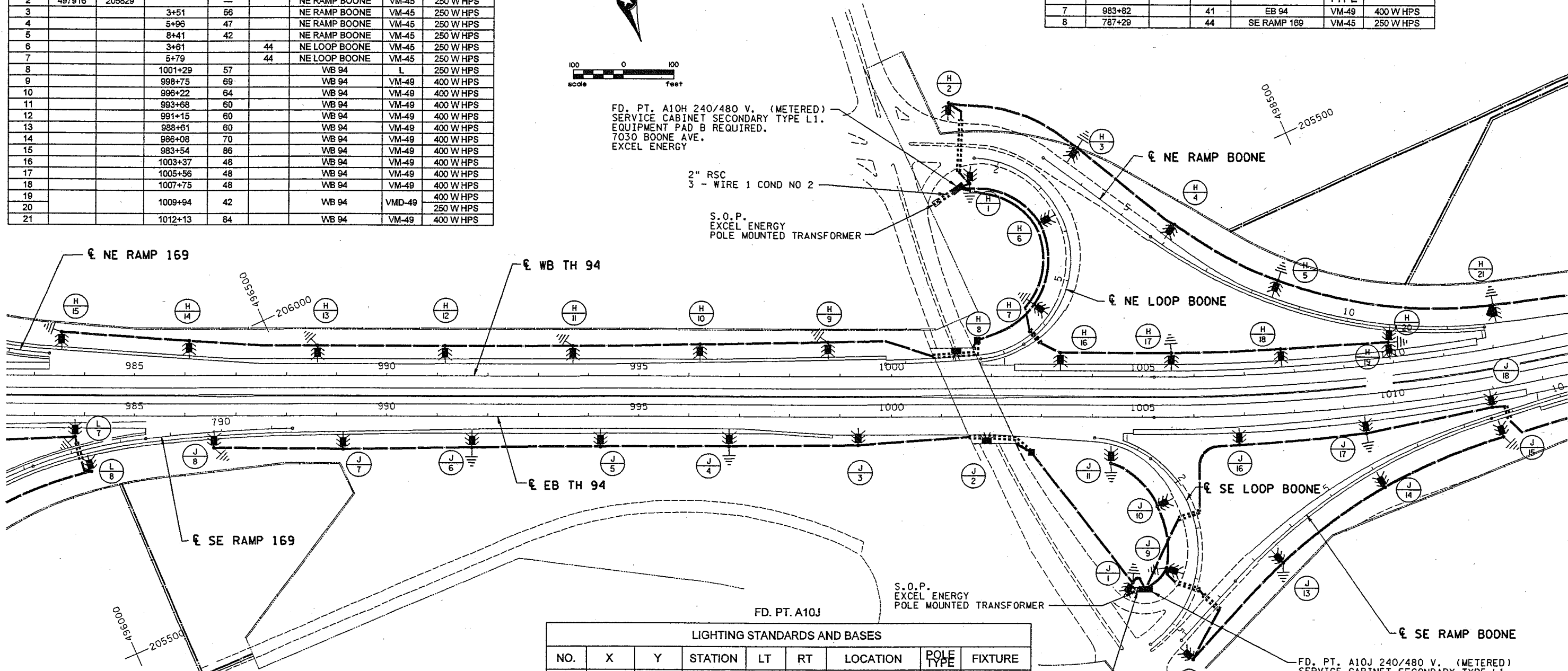
2" RSC  
3 - WIRE 1 COND NO 2

S.O.P.  
EXCEL ENERGY  
POLE MOUNTED TRANSFORMER

FD. PT. A10L

LIGHTING STANDARDS AND BASES

NO.	STATION	LT	RT	LOCATION	POLE TYPE	FIXTURE
7	983+82		41	EB 94	VM-49	400 W HPS
8	787+29		44	SE RAMP 169	VM-45	250 W HPS



FD. PT. A10J

LIGHTING STANDARDS AND BASES

NO.	X	Y	STATION	LT	RT	LOCATION	POLE TYPE	FIXTURE
1			4+71		111	SE LOOP BOONE	VM-45	250 W HPS
2			1001+91	53		EB 94	L	250 W HPS
3			999+35	56		EB 94	VM-49	400 W HPS
4			996+80	59		EB 94	VM-49	400 W HPS
5			994+24	60		EB 94	VM-49	400 W HPS
6			991+68	62		EB 94	VM-49	400 W HPS
7			989+13	66		EB 94	VM-49	400 W HPS
8			986+57	63		EB 94	VM-49	400 W HPS
9			3+89	58		SE LOOP BOONE	VM-45	250 W HPS
10			2+22	55		SE LOOP BOONE	VM-45	250 W HPS
11			1004+37	91		EB 94	VM-49	400 W HPS
12	497902	204625				SE RAMP BOONE	VM-45	250 W HPS
13			3+38	42		SE RAMP BOONE	VM-45	250 W HPS
14			6+03	42		SE RAMP BOONE	VM-45	250 W HPS
15			8+68	42		SE RAMP BOONE	VM-45	250 W HPS
16			1006+88	57		EB 94	VM-49	400 W HPS
17			1009+40	53		EB 94	VM-49	400 W HPS
18			1011+92	35		EB 94	VM-49	400 W HPS

S.O.P.  
EXCEL ENERGY  
POLE MOUNTED TRANSFORMER

2" RSC  
3 - WIRE 1 COND NO 2

FD. PT. A10J 240/480 V. (METERED)  
SERVICE CABINET SECONDARY TYPE L1.  
EQUIPMENT PAD B REQUIRED.  
6709 BOONE AVE.  
EXCEL ENERGY

NOTES:

ALL CONDUIT UNDER THE INPLACE ROADWAY SHALL BE 3" RSC INSTALLED BY DIRECTIONAL BORING.

SEE LIGHTING STAGING PLANS FOR REMOVALS, SALVAGING, TEMPORARY LIGHTING AND STAGED PERMANENT CONSTRUCTION.

DESIGN FILE: P:\CIVIL\1087\4003-4004\ROADWAY\2786115.LPE  
 PLOT FILE: P:\CIVIL\1087\4003-4004\PRF\ALPE.plt  
 PLOTTER: HP-HP5500  
 PLOT SCALE: 200:1  
 PLOT DATE/TIME: 05/11/02 15:38:15

NO	DATE	BY	CHKD	APPR	REVISION

NAME: C2786115.LPE DATE: Jan. 23, 2002

I hereby certify that this plan, specification, or report was prepared by me or under my direct supervision and that I am a duly Licensed Professional Engineer under the laws of the State of Minnesota.  
 Print Name: Brian D. Holt  
*Brian D. Holt*  
 Date: 3/13/02 License # 21428

STATE AID PROJECT NO. \_\_\_\_\_  
 CITY PROJECT NO. \_\_\_\_\_  
 DRAWN BY: T. LATOUR DATE: 12-01  
 DESIGNED BY: B. HOLT DATE: 12-01  
 CHECKED BY: B. HOLT DATE: 12-01  
 COMM. NO. 0014003



MINNESOTA DEPT. OF TRANSPORTATION  
 S.P. 2786-115 (TH 94)  
 LIGHTING PLANS & TABULATIONS  
 PERMANENT LIGHTING

SHEET 341 OF 468

FD. PT. A10H

LIGHTING STANDARDS AND BASES						
NO.	STATION	LT	RT	LOCATION	POLE TYPE	FIXTURE
22	1014+85	66		WB 94	VM-49	400 W HPS
23	1017+56	48		WB 94	VM-49	400 W HPS
24	1020+58	48		WB 94	VM-49	400 W HPS
25	1023+29	48		WB 94	VM-49	400 W HPS
26	1028+00	48		WB 94	VM-49	400 W HPS
27	1028+72	49		WB 94	VM-49	400 W HPS

FD. PT. A10E

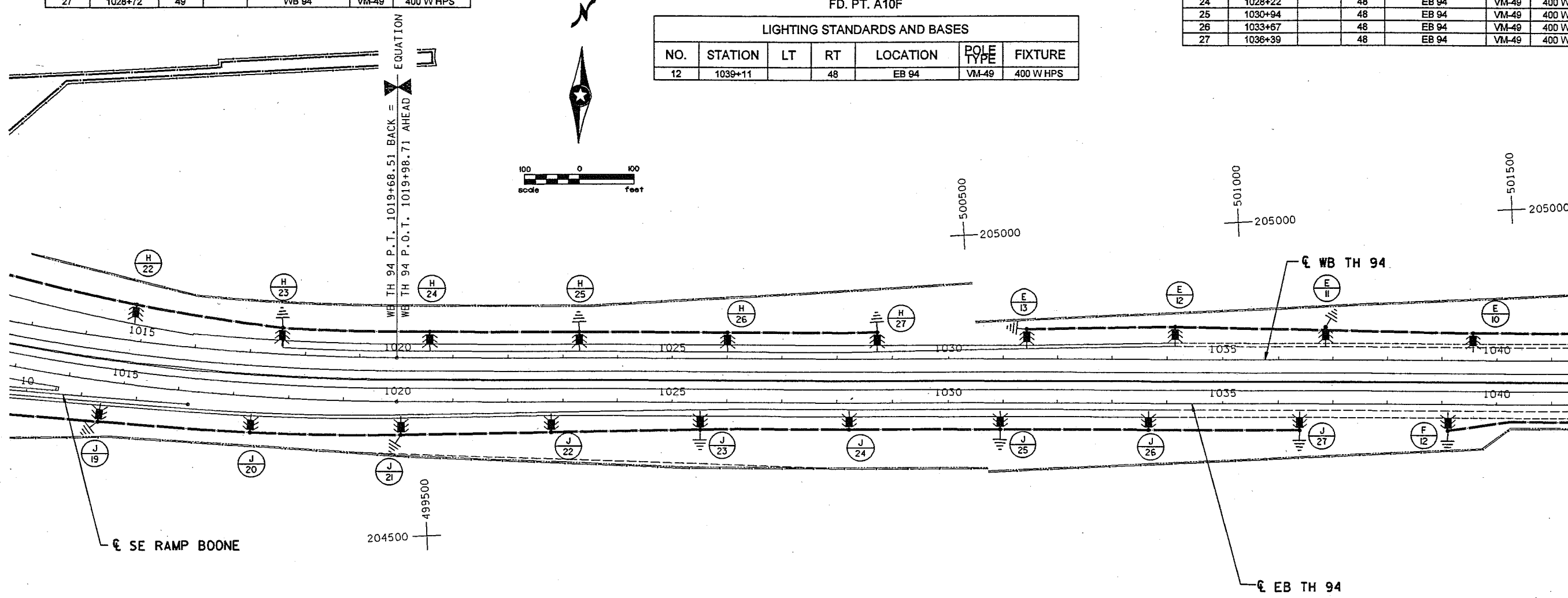
LIGHTING STANDARDS AND BASES						
NO.	STATION	LT	RT	LOCATION	POLE TYPE	FIXTURE
10	1039+57	50		WB 94	VM-49	400 W HPS
11	1036+86	60		WB 94	VM-49	400 W HPS
12	1034+15	60		WB 94	VM-49	400 W HPS
13	1031+43	55		WB 94	VM-49	400 W HPS

FD. PT. A10J

LIGHTING STANDARDS AND BASES						
NO.	STATION	LT	RT	LOCATION	POLE TYPE	FIXTURE
19	1014+62		74	EB 94	VM-49	400 W HPS
20	1017+34		66	EB 94	VM-49	400 W HPS
21	1020+06		60	EB 94	VM-49	400 W HPS
22	1022+78		55	EB 94	VM-49	400 W HPS
23	1025+50		49	EB 94	VM-49	400 W HPS
24	1028+22		48	EB 94	VM-49	400 W HPS
25	1030+94		48	EB 94	VM-49	400 W HPS
26	1033+67		48	EB 94	VM-49	400 W HPS
27	1036+39		48	EB 94	VM-49	400 W HPS

FD. PT. A10F

LIGHTING STANDARDS AND BASES						
NO.	STATION	LT	RT	LOCATION	POLE TYPE	FIXTURE
12	1039+11		48	EB 94	VM-49	400 W HPS



NOTES:

ALL CONDUIT UNDER THE INPLACE ROADWAY SHALL BE 3" RSC INSTALLED BY DIRECTIONAL BORING.  
SEE LIGHTING STAGING PLANS FOR REMOVALS, SALVAGING, TEMPORARY LIGHTING AND STAGED PERMANENT CONSTRUCTION.

DESIGN FILE: D:\CIVIL\1087\4003-4004\100\ROADWAY\2786115.LPG  
 PLOT FILE: D:\CIVIL\1087\4003-4004\100\ROADWAY\2786115.LPG.prn  
 PLOTTER: MS-HP55IMX  
 PLOT SCALE: 200:021  
 PLOT DATE/TIME: 01/23/02 18:01:15

NO.	DATE	BY	CHKD	APPR	REVISION

NAME: C2786115.LPG DATE: Jan, 23, 2002

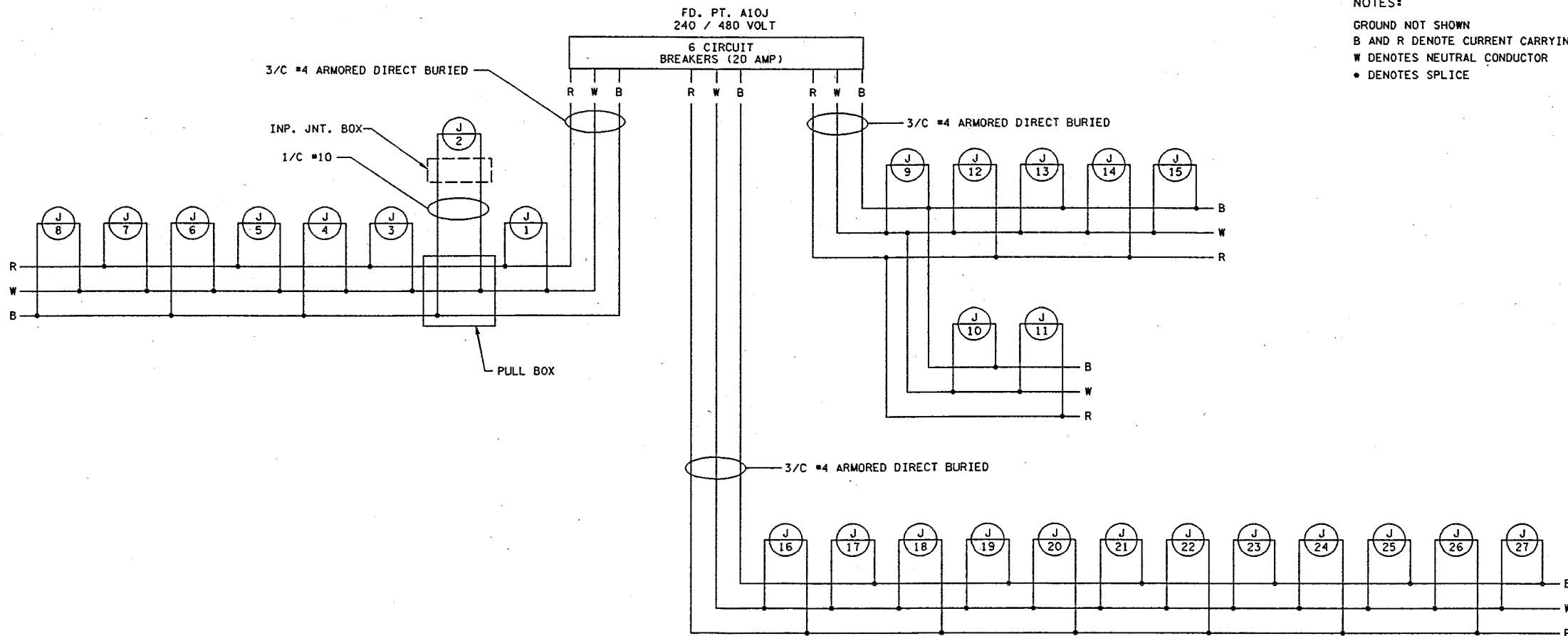
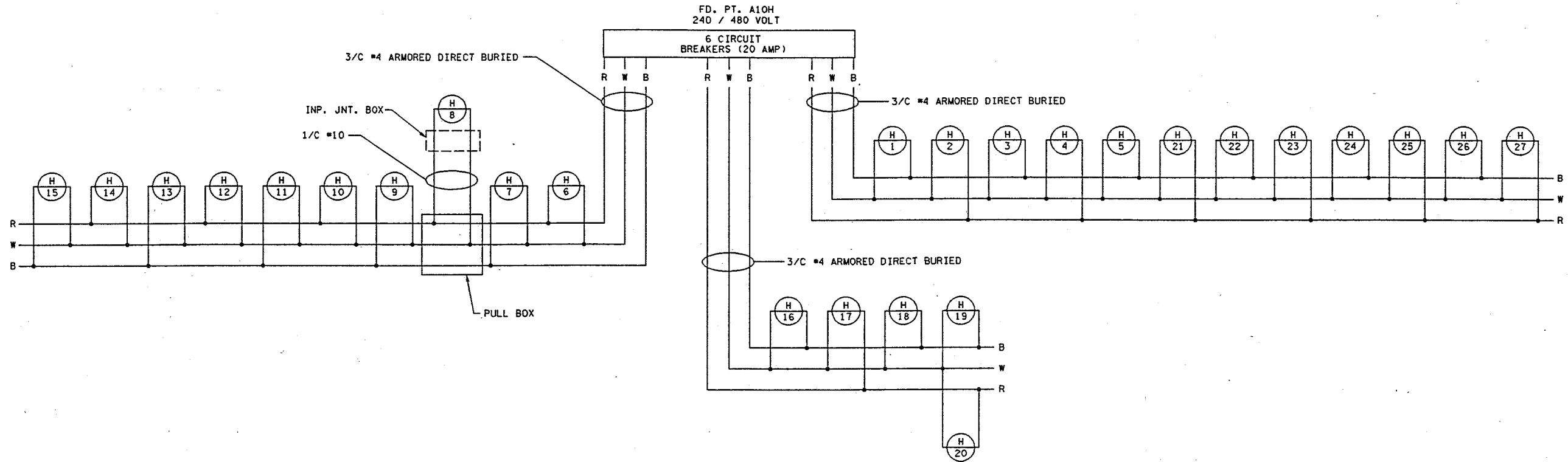
I hereby certify that this plan, specification, or report was prepared by me or under my direct supervision and that I am a duly Licensed Professional Engineer under the laws of the State of Minnesota.  
Print Name: BRIAN D. HOLT  
*Brian D Holt*  
Date: 1/25/02 License #: 21428

STATE AID PROJECT NO. \_\_\_\_\_  
CITY PROJECT NO. \_\_\_\_\_  
DRAWN BY: T. LATOUR DATE: 12-01  
DESIGNED BY: B. HOLT DATE: 12-01  
CHECKED BY: B. HOLT DATE: 12-01  
COMM. NO. 0014003



MINNESOTA DEPT. OF TRANSPORTATION  
S.P. 2786-115 (TH 94)  
LIGHTING PLANS & TABULATIONS  
PERMANENT LIGHTING

SHEET  
342  
OF  
468



NOTES:  
 GROUND NOT SHOWN  
 B AND R DENOTE CURRENT CARRYING CONDUCTORS  
 W DENOTES NEUTRAL CONDUCTOR  
 • DENOTES SPLICE

DESIGN FILE: D:\PROJECTS\11\11\4003-4004\ROADWAY\C2786115.LPF  
 PLOT FILE: D:\PROJECTS\11\11\4003-4004\PRF\LPF.pr1  
 PLOTTER: MS-MPS IMX  
 PLOT SCALE: 200.00%  
 PLOT DATE/TIME: 01/23/02 15:00:34

NO	DATE	BY	CHKD	APPR	REVISION

NAME: C2786115.LPF DATE: Jan. 23, 2002

I hereby certify that this plan, specification, or report was prepared by me or under my direct supervision and that I am a duly Licensed Professional Engineer under the laws of the State of Minnesota.  
 Print Name: BRIAN D. HOLT  
*Brian D. Holt*  
 Date: 1/25/02 License #: 21428

STATE AID PROJECT NO. \_\_\_\_\_  
 CITY PROJECT NO. \_\_\_\_\_  
 DRAWN BY: J. LATOUR DATE: 12-01  
 DESIGNED BY: B. HOLT DATE: 12-01  
 CHECKED BY: B. HOLT DATE: 12-01  
 COMM. NO. 0014003



MINNESOTA DEPT. OF TRANSPORTATION  
 S.P. 2786-115 (TH 94)  
 LIGHTING PLANS & TABULATIONS  
 PERMANENT LIGHTING

SHEET 343 OF 468