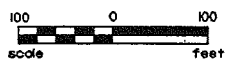


FD. PT. A10H

LIGHTING STANDARDS AND BASES

NO.	X	Y	STATION	LT	RT	LOCATION	POLE TYPE	FIXTURE
1	497889	205668				NE LOOP BOONE	VM-45	250 W HPS
2	497916	205829				NE RAMP BOONE	VM-45	250 W HPS
3			3+51	56		NE RAMP BOONE	VM-45	250 W HPS
4			5+96	47		NE RAMP BOONE	VM-45	250 W HPS
5			8+41	42		NE RAMP BOONE	VM-45	250 W HPS
6			3+61		44	NE LOOP BOONE	VM-45	250 W HPS
7			5+79		44	NE LOOP BOONE	VM-45	250 W HPS
8			1001+29	57		WB 94	L	250 W HPS
9			998+75	69		WB 94	VM-49	400 W HPS
10			996+22	64		WB 94	VM-49	400 W HPS
11			993+68	60		WB 94	VM-49	400 W HPS
12			991+15	60		WB 94	VM-49	400 W HPS
13			988+61	60		WB 94	VM-49	400 W HPS
14			986+08	70		WB 94	VM-49	400 W HPS
15			983+54	86		WB 94	VM-49	400 W HPS
16			1003+37	48		WB 94	VM-49	400 W HPS
17			1005+56	48		WB 94	VM-49	400 W HPS
18			1007+75	48		WB 94	VM-49	400 W HPS
19			1009+94	42		WB 94	VMD-49	400 W HPS
20			1012+13	84		WB 94	VM-49	400 W HPS
21								



FD. PT. A10H 240/480 V. (METERED)
SERVICE CABINET SECONDARY TYPE L1.
EQUIPMENT PAD B REQUIRED.
7030 BOONE AVE.
EXCEL ENERGY

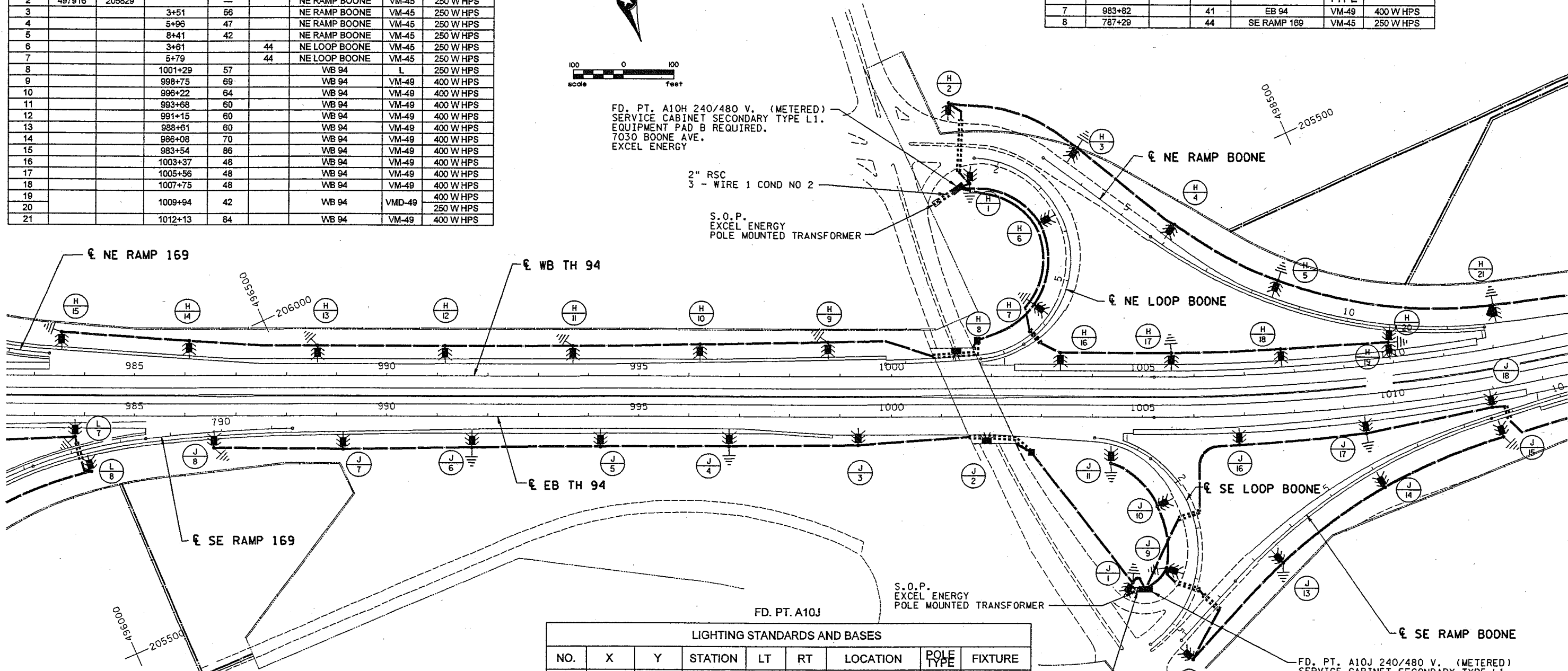
2" RSC
3 - WIRE 1 COND NO 2

S.O.P.
EXCEL ENERGY
POLE MOUNTED TRANSFORMER

FD. PT. A10L

LIGHTING STANDARDS AND BASES

NO.	STATION	LT	RT	LOCATION	POLE TYPE	FIXTURE
7	983+82		41	EB 94	VM-49	400 W HPS
8	787+29		44	SE RAMP 169	VM-45	250 W HPS



S.O.P.
EXCEL ENERGY
POLE MOUNTED TRANSFORMER

FD. PT. A10J

LIGHTING STANDARDS AND BASES

NO.	X	Y	STATION	LT	RT	LOCATION	POLE TYPE	FIXTURE
1			4+71		111	SE LOOP BOONE	VM-45	250 W HPS
2			1001+91		53	EB 94	L	250 W HPS
3			999+35		56	EB 94	VM-49	400 W HPS
4			996+80		59	EB 94	VM-49	400 W HPS
5			994+24		60	EB 94	VM-49	400 W HPS
6			991+68		62	EB 94	VM-49	400 W HPS
7			989+13		66	EB 94	VM-49	400 W HPS
8			986+57		63	EB 94	VM-49	400 W HPS
9			3+89		58	SE LOOP BOONE	VM-45	250 W HPS
10			2+22		55	SE LOOP BOONE	VM-45	250 W HPS
11			1004+37		91	EB 94	VM-49	400 W HPS
12	497902	204625				SE RAMP BOONE	VM-45	250 W HPS
13			3+38		42	SE RAMP BOONE	VM-45	250 W HPS
14			6+03		42	SE RAMP BOONE	VM-45	250 W HPS
15			8+68		42	SE RAMP BOONE	VM-45	250 W HPS
16			1006+88		57	EB 94	VM-49	400 W HPS
17			1009+40		53	EB 94	VM-49	400 W HPS
18			1011+92		35	EB 94	VM-49	400 W HPS

FD. PT. A10J 240/480 V. (METERED)
SERVICE CABINET SECONDARY TYPE L1.
EQUIPMENT PAD B REQUIRED.
6709 BOONE AVE.
EXCEL ENERGY

2" RSC
3 - WIRE 1 COND NO 2

NOTES:

ALL CONDUIT UNDER THE INPLACE ROADWAY SHALL BE 3" RSC INSTALLED BY DIRECTIONAL BORING.

SEE LIGHTING STAGING PLANS FOR REMOVALS, SALVAGING, TEMPORARY LIGHTING AND STAGED PERMANENT CONSTRUCTION.

DESIGN FILE: P:\CIVIL\1087\4003-4004\ROADWAY\2786115.LPE
 PLOT FILE: P:\CIVIL\1087\4003-4004\PRF\ALPE.plt
 PLOTTER: HP-HP5500
 PLOT SCALE: 200:1
 PLOT DATE/TIME: 05/11/02 15:38:15

NO	DATE	BY	CHKD	APPR	REVISION

NAME: C2786115.LPE DATE: Jan. 23, 2002

I hereby certify that this plan, specification, or report was prepared by me or under my direct supervision and that I am a duly Licensed Professional Engineer under the laws of the State of Minnesota.
 Print Name: Brian D. Holt
Brian D. Holt
 Date: 3/13/02 License # 21428

STATE AID PROJECT NO. _____
 CITY PROJECT NO. _____
 DRAWN BY: T. LATOUR DATE: 12-01
 DESIGNED BY: B. HOLT DATE: 12-01
 CHECKED BY: B. HOLT DATE: 12-01
 COMM. NO. 0014003



MINNESOTA DEPT. OF TRANSPORTATION
 S.P. 2786-115 (TH 94)
 LIGHTING PLANS & TABULATIONS
 PERMANENT LIGHTING

SHEET 341 OF 468

FD. PT. A10H

LIGHTING STANDARDS AND BASES						
NO.	STATION	LT	RT	LOCATION	POLE TYPE	FIXTURE
22	1014+85	66		WB 94	VM-49	400 W HPS
23	1017+56	48		WB 94	VM-49	400 W HPS
24	1020+58	48		WB 94	VM-49	400 W HPS
25	1023+29	48		WB 94	VM-49	400 W HPS
26	1028+00	48		WB 94	VM-49	400 W HPS
27	1028+72	49		WB 94	VM-49	400 W HPS

FD. PT. A10E

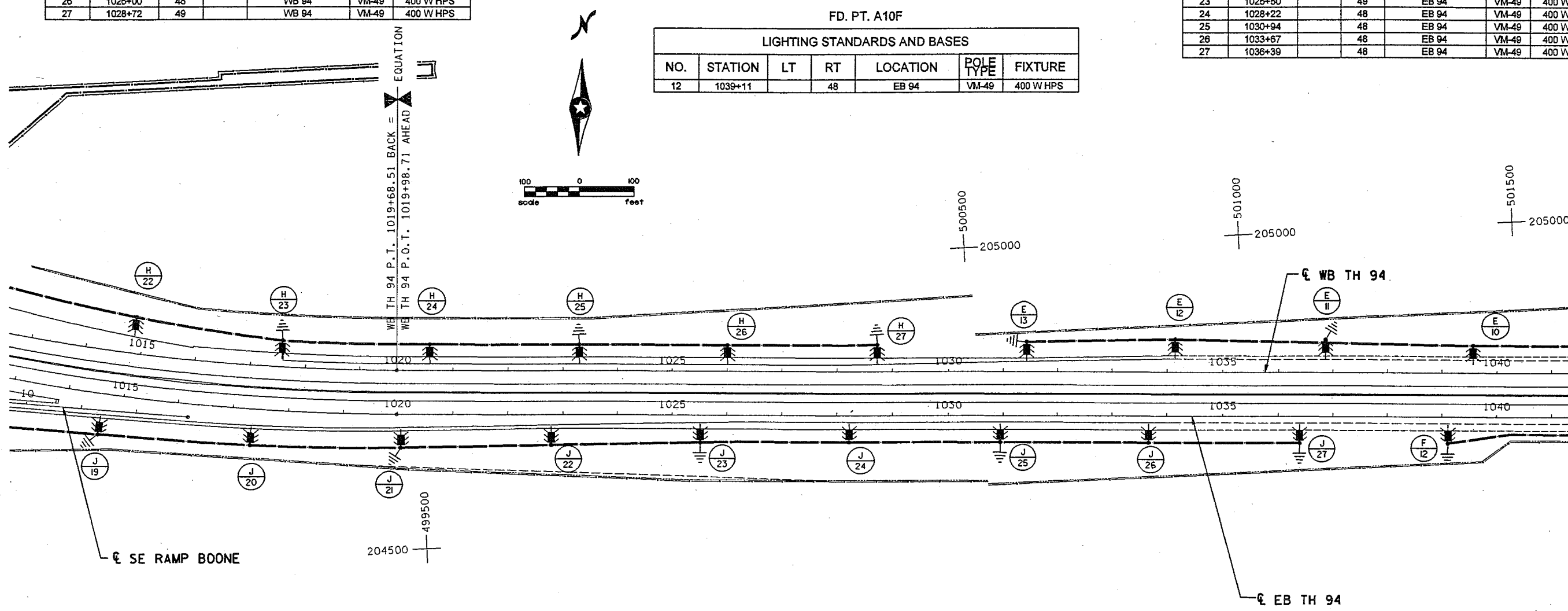
LIGHTING STANDARDS AND BASES						
NO.	STATION	LT	RT	LOCATION	POLE TYPE	FIXTURE
10	1039+57	50		WB 94	VM-49	400 W HPS
11	1036+86	60		WB 94	VM-49	400 W HPS
12	1034+15	60		WB 94	VM-49	400 W HPS
13	1031+43	55		WB 94	VM-49	400 W HPS

FD. PT. A10J

LIGHTING STANDARDS AND BASES						
NO.	STATION	LT	RT	LOCATION	POLE TYPE	FIXTURE
19	1014+62		74	EB 94	VM-49	400 W HPS
20	1017+34		66	EB 94	VM-49	400 W HPS
21	1020+06		60	EB 94	VM-49	400 W HPS
22	1022+78		55	EB 94	VM-49	400 W HPS
23	1025+50		49	EB 94	VM-49	400 W HPS
24	1028+22		48	EB 94	VM-49	400 W HPS
25	1030+94		48	EB 94	VM-49	400 W HPS
26	1033+67		48	EB 94	VM-49	400 W HPS
27	1036+39		48	EB 94	VM-49	400 W HPS

FD. PT. A10F

LIGHTING STANDARDS AND BASES						
NO.	STATION	LT	RT	LOCATION	POLE TYPE	FIXTURE
12	1039+11		48	EB 94	VM-49	400 W HPS



NOTES:

ALL CONDUIT UNDER THE INPLACE ROADWAY SHALL BE 3" RSC INSTALLED BY DIRECTIONAL BORING.
SEE LIGHTING STAGING PLANS FOR REMOVALS, SALVAGING, TEMPORARY LIGHTING AND STAGED PERMANENT CONSTRUCTION.

DESIGN FILE: D:\CIVIL\1087\4003-4004\100\ROADWAY\2786115.LPG
 PLOT FILE: D:\CIVIL\1087\4003-4004\100\ROADWAY\2786115.LPG.prn
 PLOTTER: MS-HP55IMX
 PLOT SCALE: 200:021
 PLOT DATE/TIME: 01/23/02 18:01:15

NO.	DATE	BY	CHKD	APPR	REVISION

NAME: C2786115.LPG DATE: Jan, 23, 2002

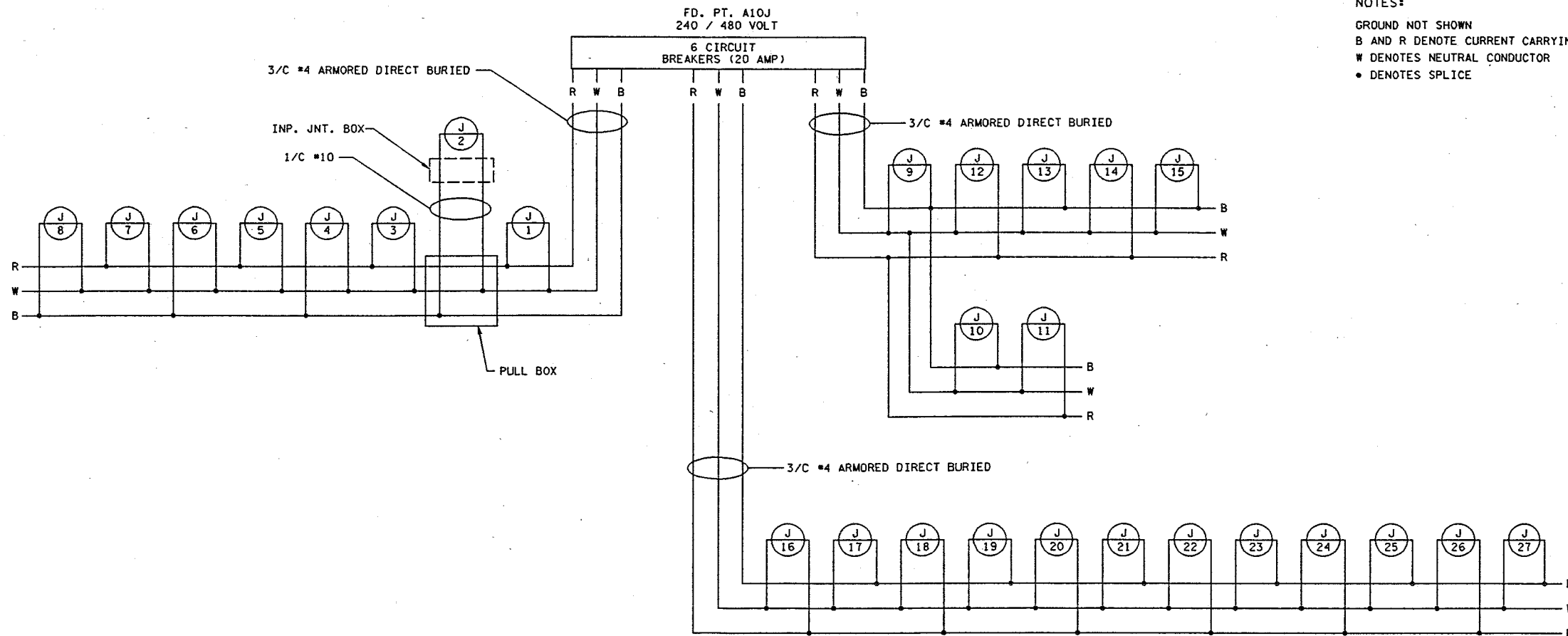
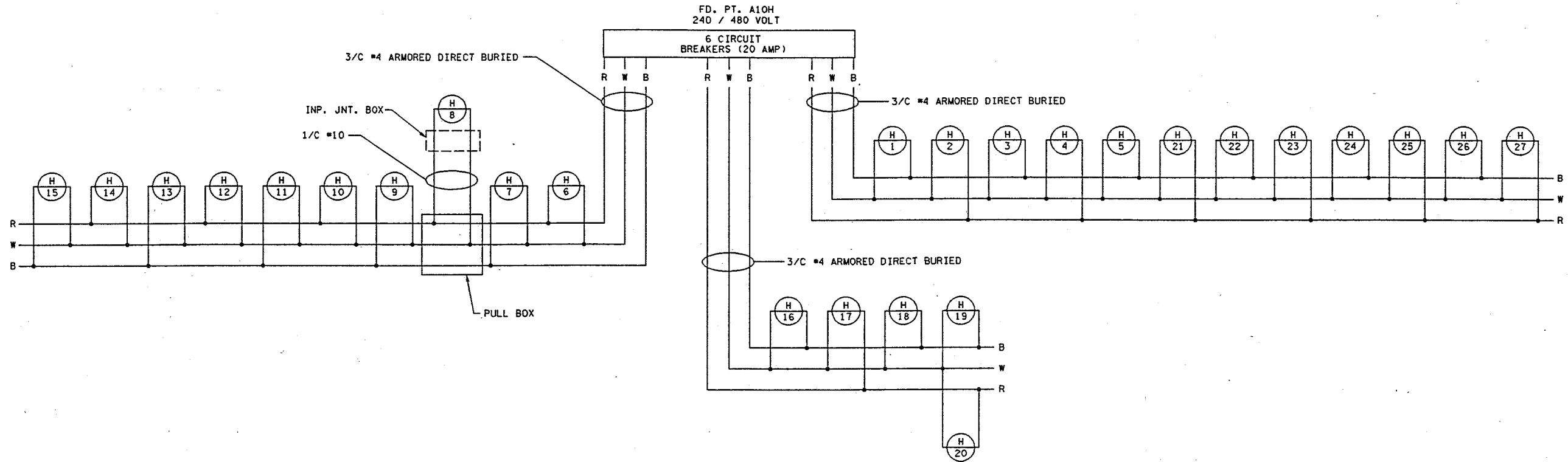
I hereby certify that this plan, specification, or report was prepared by me or under my direct supervision and that I am a duly Licensed Professional Engineer under the laws of the State of Minnesota.
 Print Name: BRIAN D. HOLT
Brian D Holt
 Date: 1/25/02 License #: 21428

STATE AID PROJECT NO. _____
 CITY PROJECT NO. _____
 DRAWN BY: T. LATOUR DATE: 12-01
 DESIGNED BY: B. HOLT DATE: 12-01
 CHECKED BY: B. HOLT DATE: 12-01
 COMM. NO. 0014003



MINNESOTA DEPT. OF TRANSPORTATION
 S.P. 2786-115 (TH 94)
 LIGHTING PLANS & TABULATIONS
 PERMANENT LIGHTING

SHEET 342 OF 468



NOTES:
 GROUND NOT SHOWN
 B AND R DENOTE CURRENT CARRYING CONDUCTORS
 W DENOTES NEUTRAL CONDUCTOR
 • DENOTES SPLICE

DESIGN FILE: D:\CIVIL\11\11003-4004\1101\ROADWAY\C2786115.LPF
 PRF FILE: D:\CIVIL\11\11003-4004\1101\ROADWAY\C2786115.LPF
 PLOTTER: MS-MPS IMX
 PLOT SCALE: 200.00%
 PLOT DATE/TIME: 01/23/02 15:00:34

NO	DATE	BY	CHKD	APPR	REVISION

I hereby certify that this plan, specification, or report was prepared by me or under my direct supervision and that I am a duly Licensed Professional Engineer under the laws of the State of Minnesota.
 Print Name: BRIAN D. HOLT
Brian D. Holt
 Date: 1/25/02 License # 21428

STATE AID PROJECT NO.
 CITY PROJECT NO.

DRAWN BY DATE
 T. LATOUR 12-01
 DESIGNED BY
 B. HOLT 12-01
 CHECKED BY
 B. HOLT 12-01
 COMM. NO.
 0014003



MINNESOTA DEPT. OF TRANSPORTATION
 S.P. 2786-115 (TH 94)
 LIGHTING PLANS & TABULATIONS
 PERMANENT LIGHTING

SHEET
 343
 OF
 468