

FD. PT. A10C

NOTES:

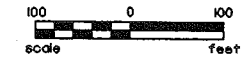
ALL CONDUIT UNDER THE INPLACE ROADWAY SHALL BE 3" RSC INSTALLED BY DIRECTIONAL BORING.

SEE LIGHTING STAGING PLANS FOR REMOVALS, SALVAGING, TEMPORARY LIGHTING AND STAGED PERMANENT CONSTRUCTION.

FD. PT. A10C 240/480 V. (METERED)
SERVICE CABINET SECONDARY TYPE L1.
EQUIPMENT PAD B REQUIRED.
7016 CR 130
EXCEL ENERGY

2" RSC
3 - WIRE 1 COND NO 2
S.O.P.
EXCEL ENERGY
POLE MOUNTED TRANSFORMER

LIGHTING STANDARDS AND BASES								
NO.	X	Y	STATION	LT	RT	LOCATION	POLE TYPE	FIXTURE
1			22+23	42		NE RAMP 81	VM-45	250 W HPS
2	502807	205180				NE RAMP 81	VM-45	250 W HPS
3	502616	205145				NE RAMP 81	VM-45	250 W HPS
4	502465	205124				NE RAMP 81	VM-45	250 W HPS
5	502445	205091				NE LOOP 81	VM-45	250 W HPS
6	502560	205289				NE RAMP 81	VM-45	250 W HPS
7	502337	205405				NE RAMP 81	VM-45	250 W HPS
8	502166	205585				NB 81	VM-45	250 W HPS
9	502023	205794				NB 81	VM-45	250 W HPS
10	501933	205989				NB 81	VM-45	250 W HPS
11			24+86	42		NE RAMP 81	VM-45	250 W HPS
12			27+49	42		NE RAMP 81	VM-45	250 W HPS
13			1059+87	48		WB 94	VM-49	400 W HPS
14			1057+25	48		WB 94	VM-49	400 W HPS
15			1054+62	48		WB 94	VM-49	400 W HPS
16			1062+49	84		WB 94	VM-49	400 W HPS
17			1064+99	65		WB 94	VM-49	400 W HPS
18			1067+49	54		WB 94	VM-49	400 W HPS



WB TH 94 P.T. 1071+83.54 BACK #
WB TH 94 P.O.T. 1071+70.12 AHEAD

FD. PT. A10E 240/480 V. (METERED)
SERVICE CABINET SECONDARY TYPE L1.
USE INPLACE EQUIPMENT PAD A.
EXCEL ENERGY
6825 CR 81

LIGHTING STANDARDS AND BASES						
NO.	STATION	LT	RT	LOCATION	POLE TYPE	FIXTURE
10	1070+12	48		WB 94	VM-49	400 W HPS
20	1069+91		63	EB 94	VM-49	400 W HPS

LIGHTING STANDARDS AND BASES								
NO.	X	Y	STATION	LT	RT	LOCATION	POLE TYPE	FIXTURE
1			296+95		88	NB 81	VM-45	250 W HPS
2	502824	205080				NE LOOP 81	VM-45	250 W HPS
3	502794	205009				NE LOOP 81	VM-45	250 W HPS
4			9+30		46	NE LOOP 81	VM-45	250 W HPS
5			1052+00	86		WB 94	VM-49	400 W HPS
6			1049+80	45		WB 94	VM-45	400 W HPS
7			1047+35	37		WB 94	VMB-45	400 W HPS
8			1045+00	33		WB 94	VMB-45	400 W HPS
9			1042+29	49		WB 94	VM-49	400 W HPS
14			295+84		52	NB 81	VM-45	250 W HPS

S.O.P.
EXCEL ENERGY
PAD MOUNTED TRANSFORMER

FD. PT. A10F 240/480 V. (METERED)
SERVICE CABINET SECONDARY TYPE L1.
USE INPLACE EQUIPMENT PAD A.
EXCEL ENERGY
6875 CR 81

LIGHTING STANDARDS AND BASES								
NO.	X	Y	STATION	LT	RT	LOCATION	POLE TYPE	FIXTURE
1	502884	204183				SE LOOP 81	VM-45	250 W HPS
2			290+20		51	NB 81	VM-45	250 W HPS
3			282+45		43	NB 81	VM-45	250 W HPS
4	503034	204251				SE LOOP 81	VM-45	250 W HPS
5			3+39		46	SE LOOP 81	VM-45	250 W HPS
6			1054+76		88	EB 94	VM-49	400 W HPS
7			1052+18		71	EB 94	VM-49	400 W HPS
8			1049+60		32	EB 94	VMB-45	400 W HPS
9			1047+10		29	EB 94	VMB-45	400 W HPS
10			1044+57		28	EB 94	VMB-45	400 W HPS
11			1041+83		32	EB 94	VM-49	400 W HPS
13			286+15		62	NB 81	VM-45	250 W HPS
14	503004	203704				NB 81	VM-45	250 W HPS
15			3+39		65	SE RAMP 81	VM-45	250 W HPS
16			5+89		73	SE RAMP 81	VM-45	250 W HPS
17			8+43		73	SE RAMP 81	VM-45	250 W HPS
18			10+89		69	SE RAMP 81	VM-45	250 W HPS
19			1062+26		48	EB 94	VM-49	400 W HPS
20			1059+76		48	EB 94	VM-49	400 W HPS
21			1057+26		48	EB 94	VM-49	400 W HPS
22			1064+76		84	EB 94	VM-49	400 W HPS
23			1067+26		69	EB 94	VM-49	400 W HPS

DESIGN FILE: P:\AS\11\1071\A002-400A\1071\ROADWAY\C2786115.LPH
PRE FILE: P:\AS\11\1071\A002-400A\1071\PH.PLT
PLOT FILE: P:\AS\11\1071\A002-400A\1071\PH.PLT
PLOT SCALE: 202.0210
PLOT DATE/TIME: 01/22 16:01:47

NO.	DATE	BY	CKD	APPR	REVISION

NAME: C2786115.LPH DATE: Jan, 23, 2002

I hereby certify that this plan, specification, or report was prepared by me or under my direct supervision and that I am a duly Licensed Professional Engineer under the laws of the State of Minnesota.
Print Name: Brian D. Holt
Brian D. Holt
Date: 1/25/02 License # 21428

STATE AID PROJECT NO. _____
CITY PROJECT NO. _____
DRAWN BY: T. LATOUR DATE: 12-01
DESIGNED BY: B. HOLT DATE: 12-01
CHECKED BY: B. HOLT DATE: 12-01
COMM. NO. 0014003



FD. PT. A9X

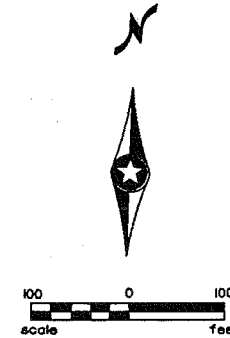
LIGHTING STANDARDS AND BASES

NO.	STATION	LT	RT	LOCATION	TYPE	WATTAGE
1	1093+65	48		WB 94	VM-49	400 W HPS
2	1091+02	48		WB 94	VM-49	400 W HPS
3	1088+39	48		WB 94	VM-49	400 W HPS
4	1085+76	48		WB 94	VM-49	400 W HPS
5	1083+13	48		WB 94	VM-49	400 W HPS
6	1080+50	48		WB 94	VM-49	400 W HPS
7	1077+87	48		WB 94	VM-49	400 W HPS
8	1075+25	48		WB 94	VM-49	400 W HPS
9	1072+62	48		WB 94	VM-49	400 W HPS
11	1093+76		48	EB 94	VM-49	400 W HPS
12	1091+11		48	EB 94	VM-49	400 W HPS
13	1088+46		48	EB 94	VM-49	400 W HPS
14	1085+81		48	EB 94	VM-49	400 W HPS
15	1083+16		48	EB 94	VM-49	400 W HPS
16	1080+51		48	EB 94	VM-49	400 W HPS
17	1077+86		50	EB 94	VM-49	400 W HPS
18	1075+21		56	EB 94	VM-49	400 W HPS
19	1072+56		60	EB 94	VM-49	400 W HPS
21	1096+28	48		WB 94	VM-49	400 W HPS
22	1098+91	48		WB 94	VM-49	400 W HPS
23	1096+41		48	EB 94	VM-49	400 W HPS
24	1099+06		48	EB 94	VM-49	400 W HPS

NOTES:

ALL CONDUIT UNDER THE INPLACE ROADWAY SHALL BE 3" RSC INSTALLED BY DIRECTIONAL BORING.

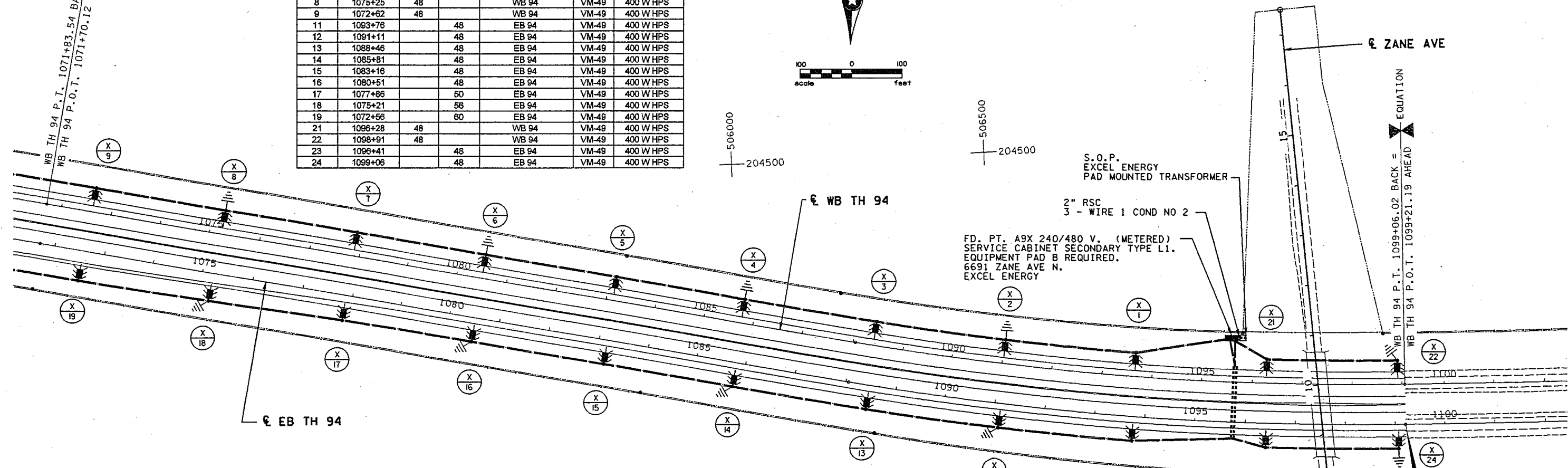
SEE LIGHTING STAGING PLANS FOR REMOVALS, SALVAGING, TEMPORARY LIGHTING AND STAGED PERMANENT CONSTRUCTION.



WB TH 94 P.T. 1071+83.54 BACK = EQUATION
WB TH 94 P.O.T. 1071+70.12 AHEAD

± ZANE AVE

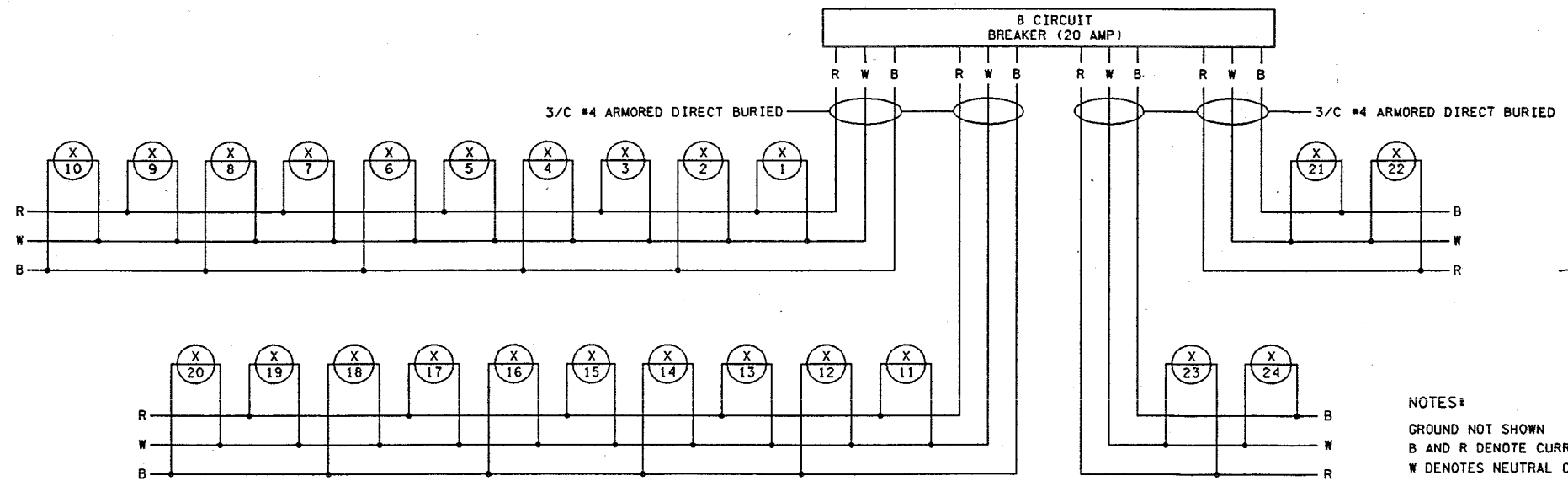
WB TH 94 P.T. 1099+06.02 BACK = EQUATION
WB TH 94 P.O.T. 1099+21.19 AHEAD



S.O.P. EXCEL ENERGY PAD MOUNTED TRANSFORMER
2" RSC 3 - WIRE 1 COND NO 2
FD. PT. A9X 240/480 V. (METERED) SERVICE CABINET SECONDARY TYPE L1. EQUIPMENT PAD B REQUIRED. 6691 ZANE AVE N. EXCEL ENERGY

FD. PT. A9X 240 / 480 VOLT

8 CIRCUIT BREAKER (20 AMP)



NOTES:
GROUND NOT SHOWN
B AND R DENOTE CURRENT CARRYING CONDUCTORS
W DENOTES NEUTRAL CONDUCTOR
• DENOTES SPLICE

END S.P. 2786-115
EB TH 94 STA. 1099+21.19

DESIGN FILE: R:\CIVIL\1087\4003-4004\1087\1087\ROADWAY\2786115.LPJ
PRF FILE: R:\CIVIL\1087\4003-4004\PRF\1087\1087.LPJ
PLOTTER: MS-HPS MK
PLOT SCALE: 209.0216
PLOT DATE/TIME: 01/23/02 16:02:49

NO	DATE	BY	CHKD	APPR	REVISION

NAME: C2786115.LPJ DATE: Jan. 23, 2002

I hereby certify that this plan, specification, or report was prepared by me or under my direct supervision and that I am a duly Licensed Professional Engineer under the laws of the State of Minnesota.
Print Name: Brian D. Holt
Date: 1/25/02 License # 21428

STATE AID PROJECT NO. _____
CITY PROJECT NO. _____
DRAWN BY: J. LATOUR DATE: 12-01
DESIGNED BY: B. HOLT DATE: 12-01
CHECKED BY: B. HOLT DATE: 12-01
COMM. NO. 0014003



MINNESOTA DEPT. OF TRANSPORTATION
S.P. 2786-115 (TH 94)
LIGHTING PLANS & TABULATIONS
PERMANENT LIGHTING

SHEET 346 OF 468