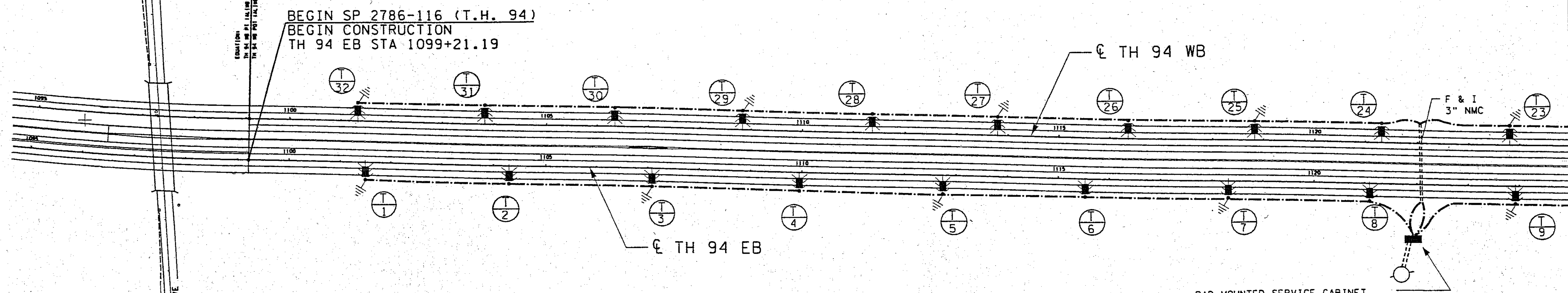
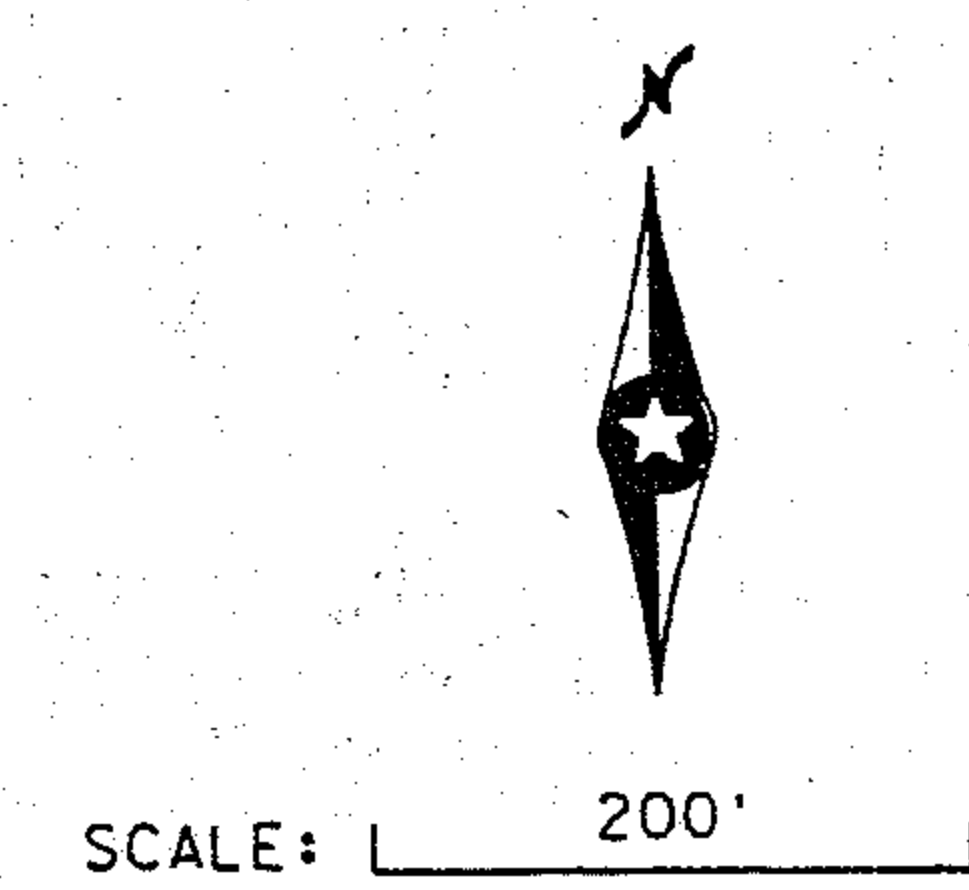


10/12/2002 01:13:18 PM \\s07\int02\projects\32707151\p\lan-sht\c2786116.11g

FD. PT. A9T					
LIGHTING STANDARDS AND BASES					
NO.	STATION	LT	RT	LOCATION	TYPE
1	1101 + 50		-	TH 94 EB	VM-49
2	1104 + 30		-	TH 94 EB	VM-49
3	1107 + 10		-	TH 94 EB	VM-49
4	1109 + 90		-	TH 94 EB	VM-49
5	1112 + 70		-	TH 94 EB	VM-49
6	1115 + 50		-	TH 94 EB	VM-49
7	1118 + 30		-	TH 94 EB	VM-49
8	1121 + 10		-	TH 94 EB	VM-49
9	1123 + 90		-	TH 94 EB	VM-49
10	1126 + 70		-	TH 94 EB	VM-49
11	1129 + 50		-	TH 94 EB	VM-49
12	1132 + 30		-	TH 94 EB	VM-49
13	1134 + 90		-	TH 94 EB	VM-49
14	1137 + 50		-	TH 94 EB	VM-49
15	1140 + 10		-	TH 94 EB	VM-49

FD. PT. A9T					
LIGHTING STANDARDS AND BASES					
NO.	STATION	LT	RT	LOCATION	TYPE
16	1142 + 70		-	TH 94 EB	VM-49
17	1138 + 80		-	TH 94 WB	VM-49
18	1136 + 30		-	TH 94 WB	VM-49
19	1133 + 80		-	TH 94 WB	VM-49
20	1131 + 30		-	TH 94 WB	VM-49
21	1128 + 80		-	TH 94 WB	VM-49
22	1126 + 30		-	TH 94 WB	VM-49
23	1123 + 80		-	TH 94 WB	VM-49
24	1121 + 30		-	TH 94 WB	VM-49
25	1118 + 80		-	TH 94 WB	VM-49
26	1116 + 30		-	TH 94 WB	VM-49
27	1113 + 80		-	TH 94 WB	VM-49
28	1111 + 30		-	TH 94 WB	VM-49
29	1108 + 80		-	TH 94 WB	VM-49
30	1106 + 30		-	TH 94 WB	VM-49
31	1103 + 80		-	TH 94 WB	VM-49
32	1101 + 30		-	TH 94 WB	VM-49

SEE DETAIL SHEETS FOR PLACEMENT OF LIGHTING UNITS



**LIGHTING LEGEND**

	SOURCE OF POWER PAD MOUNTED (240/480 V)		INP. OVERHEAD SIGN
	INP. SOURCE OF POWER PAD MOUNTED (240/480 V)		PERMANENT GROUND ROD (25 OHMS OR LESS)
	400 WATT HIGH PRESSURE SODIUM LIGHTING UNIT		DIRECT BURIED POWER CABLE 3 CONDUCTOR No.4 AWG ARMORED CABLE SPEC. No.3815
	INP. 400 WATT HIGH PRESSURE SODIUM LIGHTING UNIT		INP. POWER CABLE
	250 WATT HIGH PRESSURE SODIUM LIGHTING UNIT		F.&I. 3" NON-METALLIC CONDUIT EXCEPT AS NOTED OTHERWISE
	INSTALL 250 WATT HIGH PRESSURE SODIUM LIGHTING UNIT		INP. CONDUIT
	INP. HIGH PRESSURE SODIUM LIGHTING UNIT		HANDHOLE
	INP. HIGH PRESSURE LIGHTING UNIT (TWIN MAST ARM)		INP. HANDHOLE
			TRANSFORMER BY XCEL ENERGY

PAD MOUNTED SERVICE CABINET SECONDARY TYPE L1, 240/480 V., F&I 2" RSC & 3-1/C#2 TO POLE MOUNTED TRANSFORMER BY XCEL ENERGY, FD. PT. A9T; (METERED) EQUIPMENT PAD B REQUIRED

- NOTES:
- INPLACE 400 WATT LIGHTING UNIT ON FD. PT. A9X.
  - EXACT PLACEMENT OF LIGHTING UNITS SHALL BE DETERMINED BY ENGINEER IN THE FIELD.
  - CONDUIT UNDER ROADWAY SHALL BE 3" NMC AS INDICATED IN THE PLANS.

DRAWN BY: DMG  
CHECKED BY: AJW

I HEREBY CERTIFY THAT THIS PLAN, SPECIFICATION, OR REPORT WAS PREPARED BY ME OR UNDER MY DIRECT SUPERVISION AND THAT I AM A DULY LICENSED PROFESSIONAL ENGINEER UNDER THE LAWS OF THE STATE OF MINNESOTA.

SIGNATURE: *Anthony J. Winiacki*  
PRINTED NAME: ANTHONY J. WINIACKI  
DATE: 10/14 2002 REG. NO. 23128



MINNESOTA DEPARTMENT OF TRANSPORTATION  
STATE PROJECT NO. 2786-116 (T.H. 94)



LIGHTING PLANS  
TH 94 EB STA 1099+21 TO 1124+50

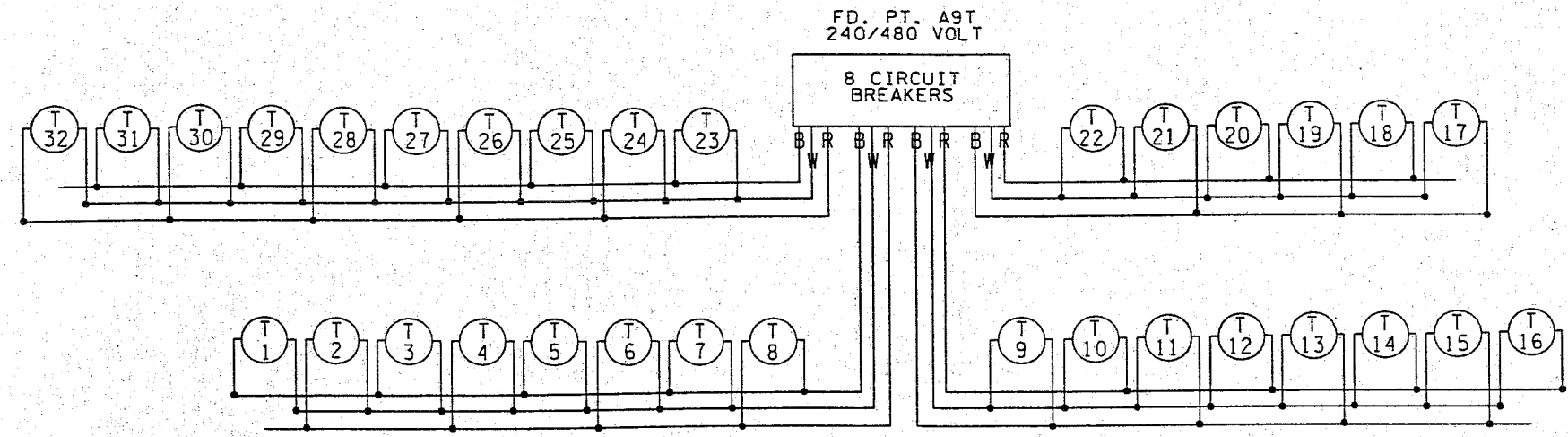
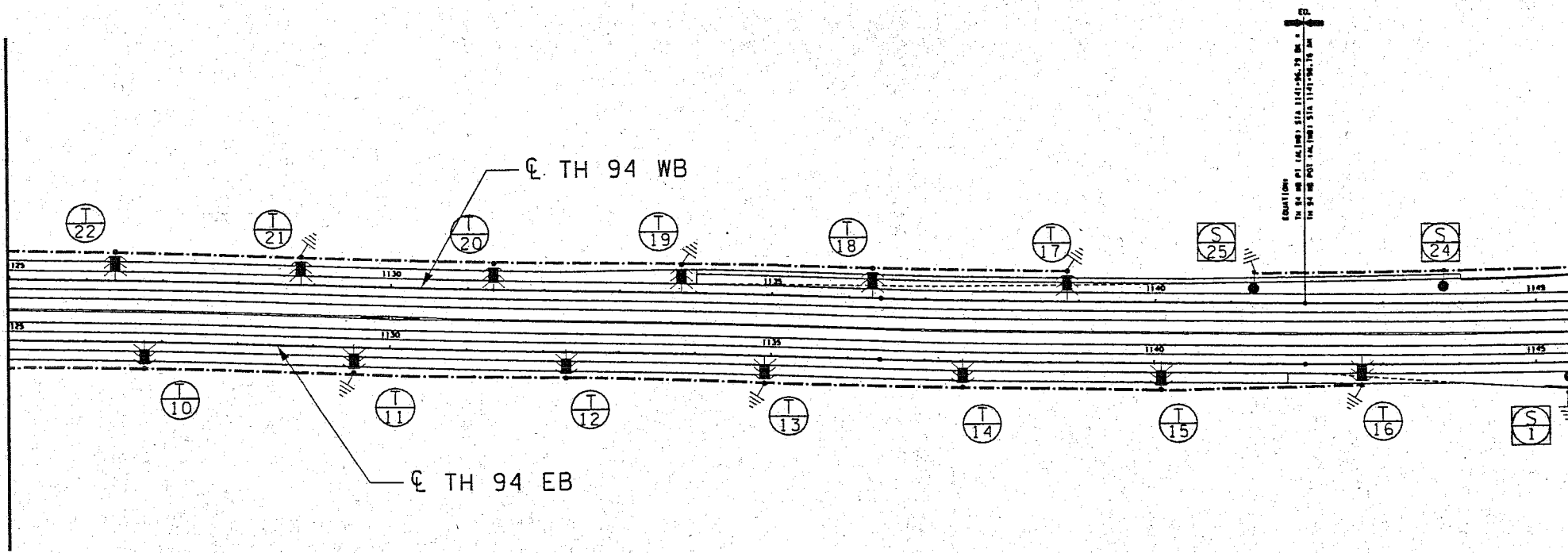
360  
563




SCALE: 200'

Match Line Sta. 1125+00

Match Line Sta. 1145+50



- NOTE:
- 1:  F&I 250 WATT HPS LUMINAIRE.  
INSTALL LIGHT STANDARD.  
INSTALL STEEL LIGHT BASE.
  2. EXACT PLACEMENT OF LIGHTING UNITS SHALL BE DETERMINED BY ENGINEER IN THE FIELD.

B AND R DENOTE CURRENT CARRYING CONDUCTORS  
 W DENOTES NEUTRAL CONDUCTOR

• DENOTES SPLICE

DASHED LINES DENOTE INPLACE  
 SOLID LINES DENOTE FURNISH & INSTALL

10/12/2002 01:13:56 PM \\s071nt02\projects\32707151\p\ion-sht\c2786116.1.rh

DRAWN BY: DMG  
 CHECKED BY: AJW

I HEREBY CERTIFY THAT THIS PLAN, SPECIFICATION, OR REPORT WAS PREPARED BY ME OR UNDER MY DIRECT SUPERVISION AND THAT I AM A DULY LICENSED PROFESSIONAL ENGINEER UNDER THE LAWS OF THE STATE OF MINNESOTA.

SIGNATURE: *Anthony J. Winiacki*  
 PRINTED NAME: ANTHONY J. WINIECKI  
 DATE: 10/19/02 REG. NO. 23128



MINNESOTA DEPARTMENT OF TRANSPORTATION  
 STATE PROJECT NO. 2786-116 (T.H. 94)



LIGHTING PLANS  
 TH 94 EB STA 1124+50 TO 1145+50