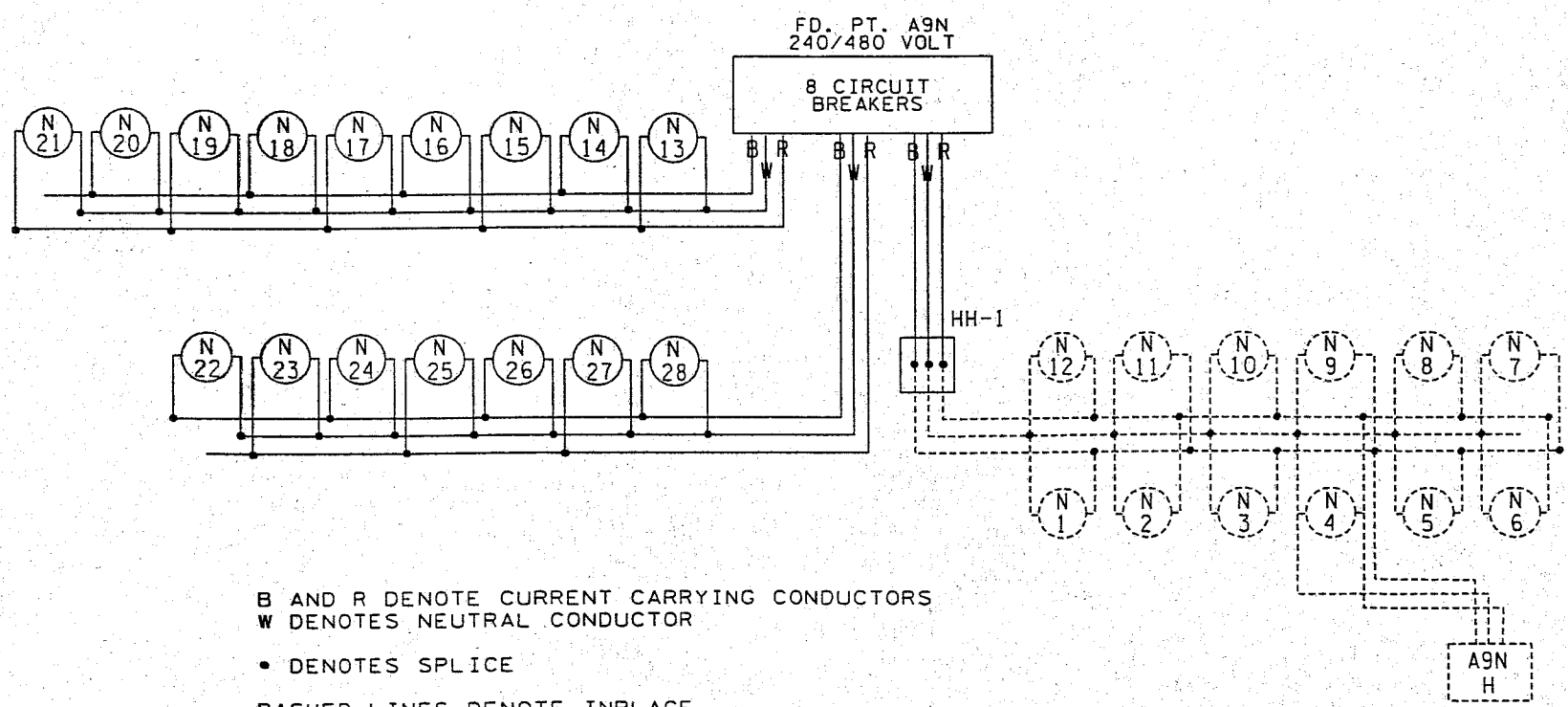
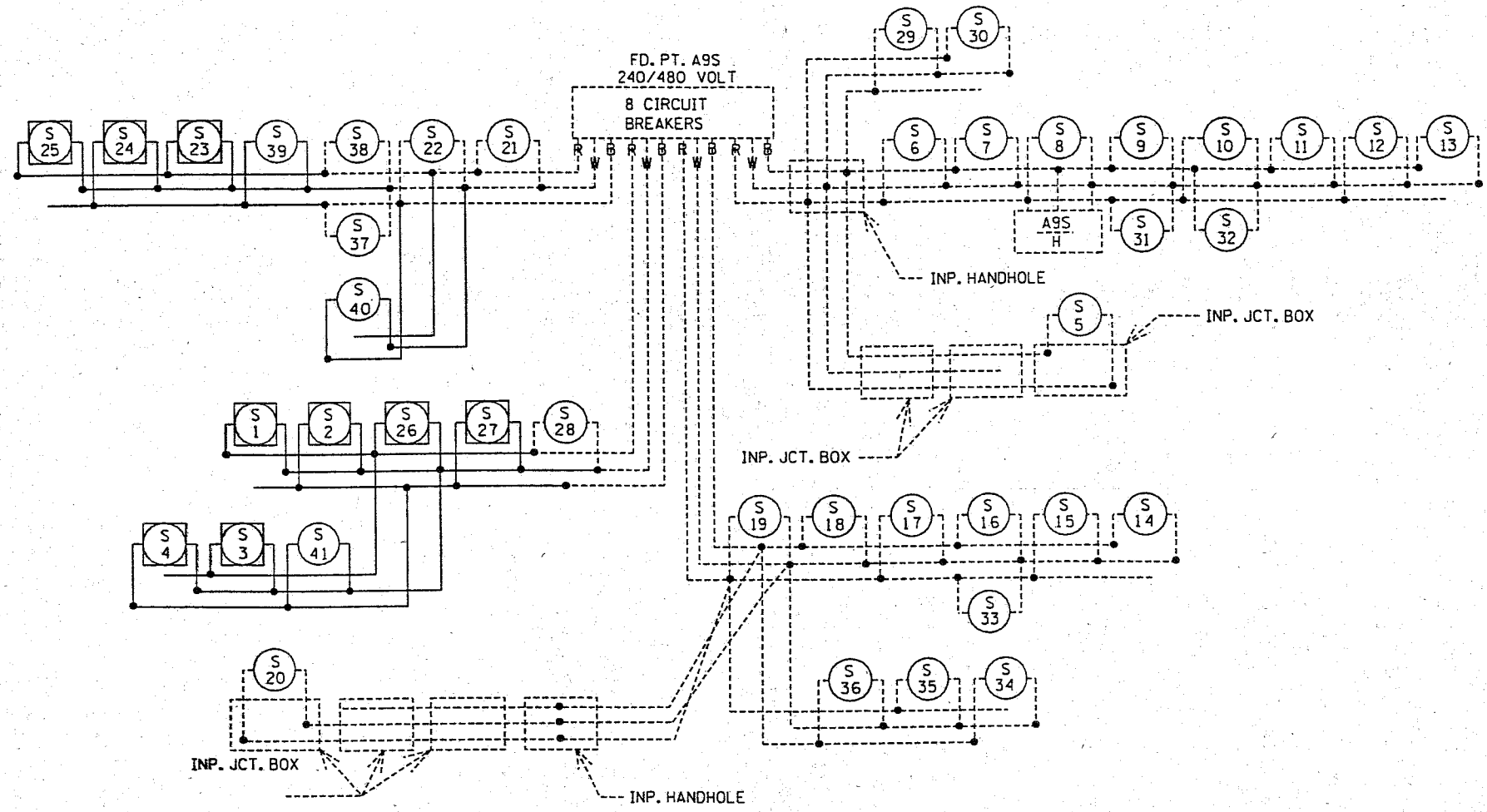




10/21/2002 4:46:23 PM \\s071n02\projects\32707151\p\dm-smf\c2786116.ltk



B AND R DENOTE CURRENT CARRYING CONDUCTORS  
 W DENOTES NEUTRAL CONDUCTOR

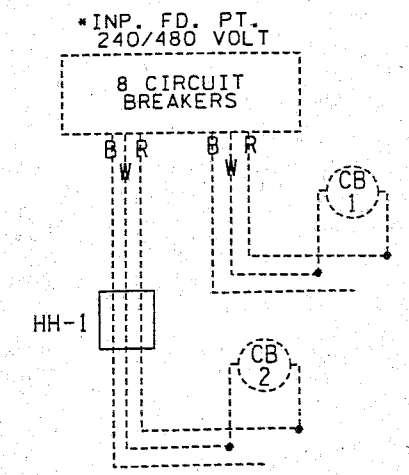
• DENOTES SPLICE

DASHED LINES DENOTE INPLACE  
 SOLID LINES DENOTE FURNISH & INSTALL

FD. PT. A9N					
LIGHTING STANDARDS AND BASES					
NO.	STATION	LT	RT	LOCATION	TYPE
(1) 1	12			TH 94	60-50
(1) 2	11			TH 94	60-50
(1) 3	10			TH 94	60-50
(1) 4	9			TH 94	60-50
(1) 5	8			TH 94	60-50
(1) 6	7			TH 94	60-50
13	1191 + 50	-		TH 94 WB	12-40
14	1189 + 00	-		TH 94 WB	12-40
15	1186 + 50	-		TH 94 WB	12-40
16	1184 + 00	-		TH 94 WB	12-40
17	1181 + 50	-		TH 94 WB	12-40
18	1179 + 00	-		TH 94 WB	12-40
19	1176 + 50	-		TH 94 WB	12-40
20	1174 + 00	-		TH 94 WB	12-40
21	1171 + 50	-		TH 94 WB	12-40
22	1177 + 50		-	TH 94 EB	12-40
23	1180 + 00		-	TH 94 EB	12-40
24	1182 + 50		-	TH 94 EB	12-40
25	1185 + 00		-	TH 94 EB	12-40
26	1187 + 50		-	TH 94 EB	12-40
27	1190 + 00		-	TH 94 EB	12-40
28	1192 + 80		-	TH 94 EB	12-40

SEE DETAIL SHEETS FOR PLACEMENT OF LIGHTING UNITS.

(1) INPLACE 400 WATT HPS, TWIN MAST ARM LIGHTING UNIT.



\*INPLACE FD. PT. TO BE OWNED BY THE CITY OF BROOKLYN CENTER

DRAWN BY: DMG  
 CHECKED BY: AJW

I HEREBY CERTIFY THAT THIS PLAN, SPECIFICATION, OR REPORT WAS PREPARED BY ME OR UNDER MY DIRECT SUPERVISION AND THAT I AM A DULY LICENSED PROFESSIONAL ENGINEER UNDER THE LAWS OF THE STATE OF MINNESOTA.

SIGNATURE: *Anthony J. Winiecki*  
 PRINTED NAME: ANTHONY J. WINIECKI  
 DATE: 10/22 2002 REG. NO. 23128



MINNESOTA DEPARTMENT OF TRANSPORTATION  
 STATE PROJECT NO. 2786-116 (T.H. 94)



LIGHTING PLANS  
 TH 94 EB STA 1168+50 TO 1210+00

MAINTAINED BY CITY

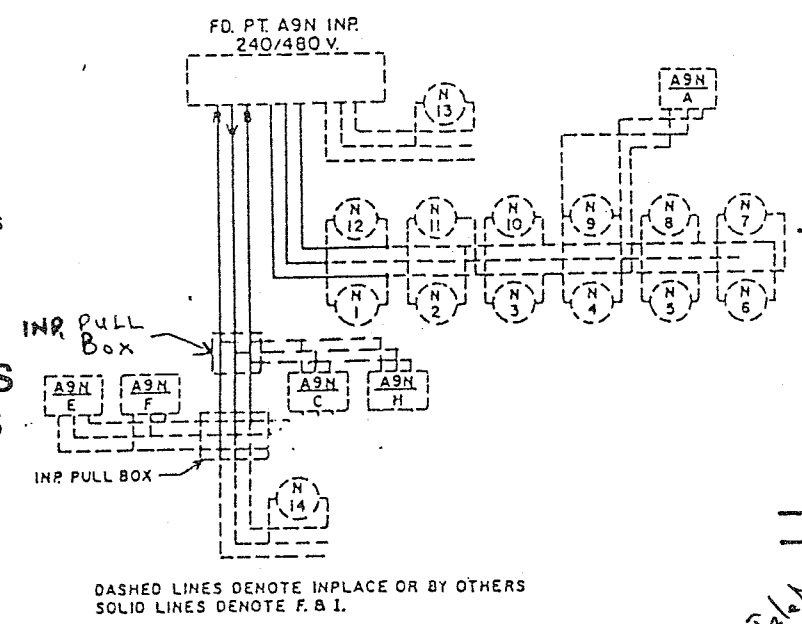
B & R DENOTE CURRENT CARRYING CONDUCTORS  
W DENOTES NEUTRAL CONDUCTOR  
DASHED DENOTES INPLACE OR BY OTHERS  
SOLID DENOTES F & I.

**SHEET TOTAL**

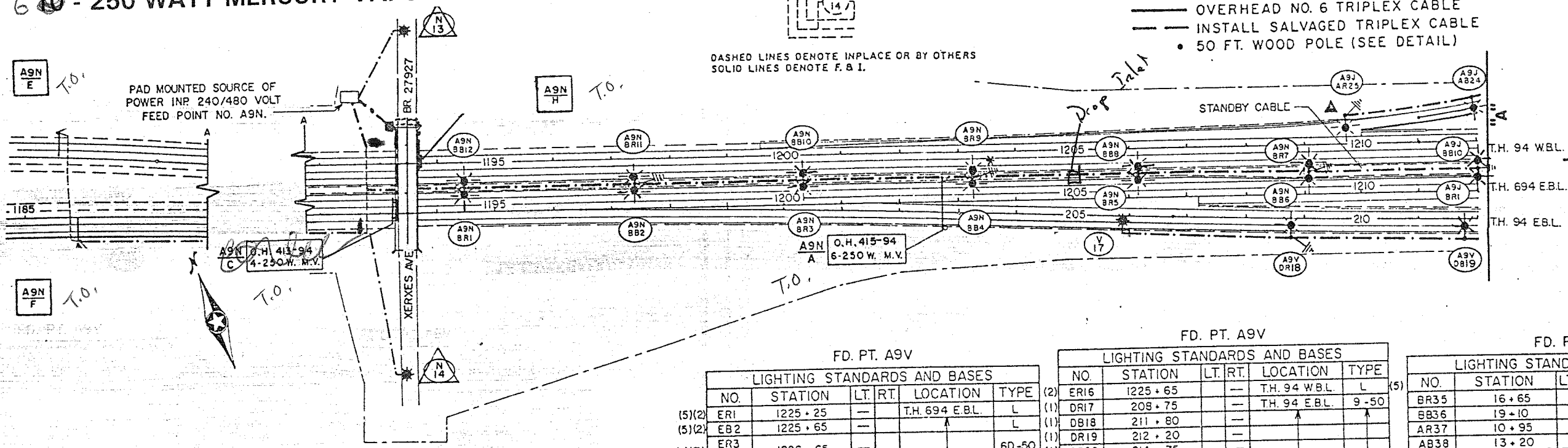
- 17 - 400 WATT HIGH PRESSURE SODIUM LIGHTING UNITS
- 2 - 200 WATT HIGH PRESSURE SODIUM LIGHTING UNITS
- 6 - 250 WATT MERCURY VAPOR SIGN LIGHTS

**LEGEND**

- PAD MOUNTED SOURCE OF POWER (120/240 VOLT)
- PAD MOUNTED SOURCE OF POWER INPLACE (VOLTAGE AS INDICATED ON PLAN)
- INPLACE LIGHTING UNIT
- COMBINATION SIGNAL AND LIGHTING UNIT INPLACE
- LIGHTING UNIT, TYPE OF POLE AND LUMINAIRE AS INDICATED ON PLAN
- TWIN MAST ARM LIGHTING UNIT, TYPE OF POLE AND LUMINAIRE AS INDICATED ON PLAN
- TYPE L UNDERPASS LIGHTING UNIT
- CONDUIT INPLACE
- F & I. 2" RIGID STEEL CONDUIT
- PERMANENT COPPER COATED GROUND ROD (25 OHMS OR LESS)
- DIRECT BURIED POWER CABLE - 3 WIRE NO. 4 A.W.G. ARMORED CABLE, SPEC. NO. 3804 & 3805
- PROVIDE ONE ADDITIONAL PVC CONDUIT ELBOW
- OVERHEAD SIGN INPLACE
- PLACE LIGHTING UNIT PERPENDICULAR TO C OF THE MAIN ROADWAY
- PULL BOX INPLACE
- F & I. PULL BOX
- ARMORED CABLE BY OTHERS
- INSTALL SALVAGED LIGHTING UNIT
- FUTURE LIGHTING UNIT
- OVERHEAD NO. 6 TRIPLEX CABLE
- INSTALL SALVAGED TRIPLEX CABLE
- 50 FT. WOOD POLE (SEE DETAIL)



DASHED LINES DENOTE INPLACE OR BY OTHERS  
SOLID LINES DENOTE F & I.



**EXHIBIT 204F**  
**T.H. 94 @ XERXES AVE. N.**  
**IN BROOKLYN CENTER**  
**N.S.P.**

**CERTIFIED COPY**

JUN 17 1957

FD. PT. A9N

LIGHTING STANDARDS AND BASES				
NO.	STATION	LT. RT.	LOCATION	TYPE
(1)(7) BR1	1194 + 45	—	T.H. 94 W.B.L.	60-50
(1)(7) BR2	1197 + 40	—	↑	↑
(1)(7) BR3	1200 + 35	—	↑	↑
(1)(7) BR4	1203 + 25	—	↑	↑
(1)(7) BR5	1206 + 15	—	↑	↑
(1)(7) BR6	1209 + 10	—	T.H. 94 W.B.L.	60-50

FINAL LOCATION AND DISTANCE OUT OF LIGHT STANDARDS SHALL BE DETERMINED BY THE ENGINEER IN FIELD.  
(1) 400 WATT HIGH PRESSURE SODIUM  
(7) TWIN MAST ARM LIGHTING UNIT

FD. PT. A9V

LIGHTING STANDARDS AND BASES				
NO.	STATION	LT. RT.	LOCATION	TYPE
(5)(2) ER1	1225 + 25	—	T.H. 694 E.B.L.	L
(5)(2) ER2	1225 + 65	—	↑	↑
(1)(7) ER3	1226 + 65	—	↑	60-50
(1)(7) ER4	1229 + 35	—	↑	↑
(1)(7) ER5	1232 + 15	—	↑	↑
(1)(7) ER6	1234 + 95	—	↑	↑
(1)(7) ER7	1237 + 75	—	↑	↑
(1)(7) ER8	1240 + 55	—	T.H. 694 E.B.L.	60-50
(5)(2) ER9	1240 + 55	—	↑	↑
(5)(2) ER15	1225 + 25	—	T.H. 94 W.B.L.	L

FD. PT. A9V

LIGHTING STANDARDS AND BASES				
NO.	STATION	LT. RT.	LOCATION	TYPE
(1) DR16	1225 + 65	—	T.H. 94 W.B.L.	L
(1) DR17	208 + 75	—	T.H. 94 E.B.L.	9-50
(1) DR18	211 + 80	—	↑	↑
(1) DR19	212 + 20	—	↑	↑
(1) DR20	214 + 75	—	↑	↑
(1) DR21	217 + 75	—	↑	↑
(1) DR22	220 + 75	—	↑	↑
(1) DR23	223 + 75	—	↑	9-50
(2) BR24	225 + 20	—	↑	L
(2) BR25	225 + 60	—	↑	L
(1) BR26	226 + 90	—	↑	9-50
(1) BR27	229 + 75	—	↑	↑
(1) CR28	232 + 45	—	↑	↑
(1) CR29	235 + 25	—	↑	↑
(1) CR30	238 + 05	—	↑	↑
(1) CR31	240 + 70	—	↑	↑
(1) CR32	243 + 75	—	T.H. 94 E.B.L.	9-50
(2) BR33	11 + 90	—	S.E. LOOP	6-40
(2) BR34	14 + 25	—	S.E. LOOP	6-40

FD. PT. A9V

LIGHTING STANDARDS AND BASES				
NO.	STATION	LT. RT.	LOCATION	TYPE
BR35	16 + 65	—	S.E. LOOP	6-40
BB36	19 + 10	—	S.E. LOOP	↑
AR37	10 + 95	—	S.E. RAMP	↑
AB38	13 + 20	—	S.E. RAMP	↑
AR39	15 + 30	—	S.E. RAMP	↑
AB40	17 + 20	—	RAMP C	↑
AR41	19 + 65	—	↑	↑
AB42	22 + 05	—	↑	↑
AR43	24 + 45	—	↑	↑
AB44	26 + 85	—	↑	↑
AR45	29 + 25	—	RAMP C	↑
AR46	17 + 60	—	RAMP B	↑
AB47	19 + 85	—	↑	↑
AR48	22 + 05	—	↑	6-40
AB49	24 + 25	—	↑	68-40
AR50	26 + 65	—	↑	68-40
AB51	29 + 05	—	RAMP B	6-40

FINAL LOCATION AND DISTANCE OUT OF 60-50 LIGHT STANDARDS SHALL BE DETERMINED BY THE ENGINEER IN FIELD. PLACE OTHER 50' POLES 11' BEHIND BITUMINUS SHOULDER.  
PLACE 40' POLES 9' BEHIND CURB.  
(1) 400 WATT HIGH PRESSURE SODIUM.  
(2) 200 WATT HIGH PRESSURE SODIUM.  
(3) BRIDGE MOUNTED OR MEDIAN BARRIER LIGHTING UNIT  
(4) ANCHORAGE INPLACE  
(5) UNDERPASS LIGHTING  
(7) TWIN MAST ARM LIGHTING UNIT