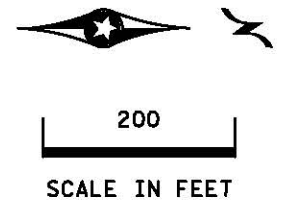


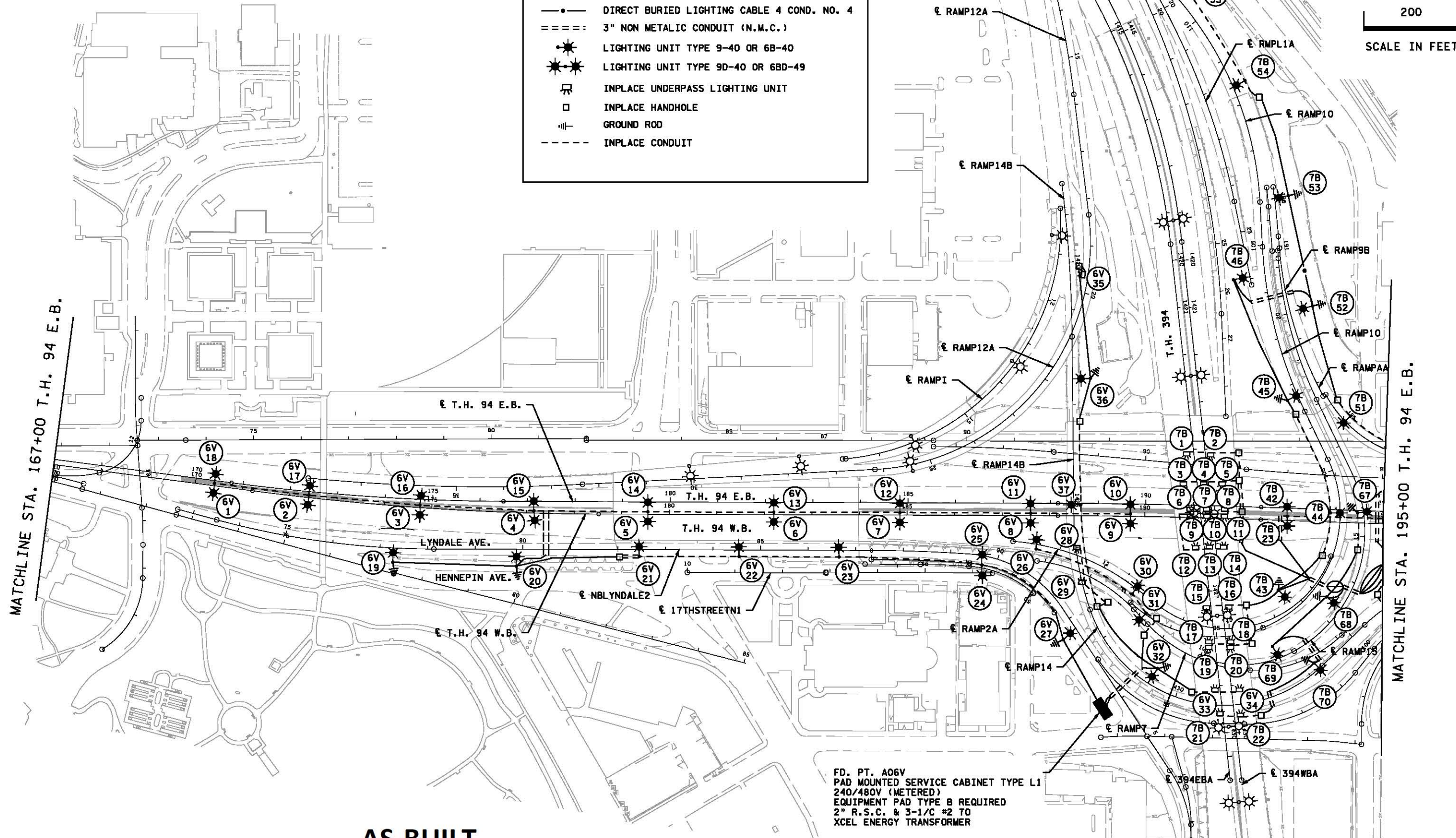
LEGEND

- PAD MOUNTED SERVICE CABINET
- DIRECT BURIED LIGHTING CABLE 4 COND. NO. 4
- === 3" NON METALIC CONDUIT (N.M.C.)
- ☼ LIGHTING UNIT TYPE 9-40 OR 6B-40
- ☼ LIGHTING UNIT TYPE 9D-40 OR 6BD-49
- ⊞ INPLACE UNDERPASS LIGHTING UNIT
- INPLACE HANDHOLE
- ⊞ GROUND ROD
- - - INPLACE CONDUIT



MATCHLINE STA. 167+00 T.H. 94 E.B.

MATCHLINE STA. 195+00 T.H. 94 E.B.



FD. PT. A06V
 PAD MOUNTED SERVICE CABINET TYPE L1
 240/480V (METERED)
 EQUIPMENT PAD TYPE B REQUIRED
 2" R.S.C. & 3-1/4" #2 TO
 XCEL ENERGY TRANSFORMER

FEED POINT A06V

A06V METER ADDRESS: 51 N. 16TH ST., MINNEAPOLIS 55403

AS-BUILT

PROPOSED LIGHTING SYSTEM

SP 2781-432 (T.H. 94)
 SHEET NO. SL29 OF SL71 SHEETS

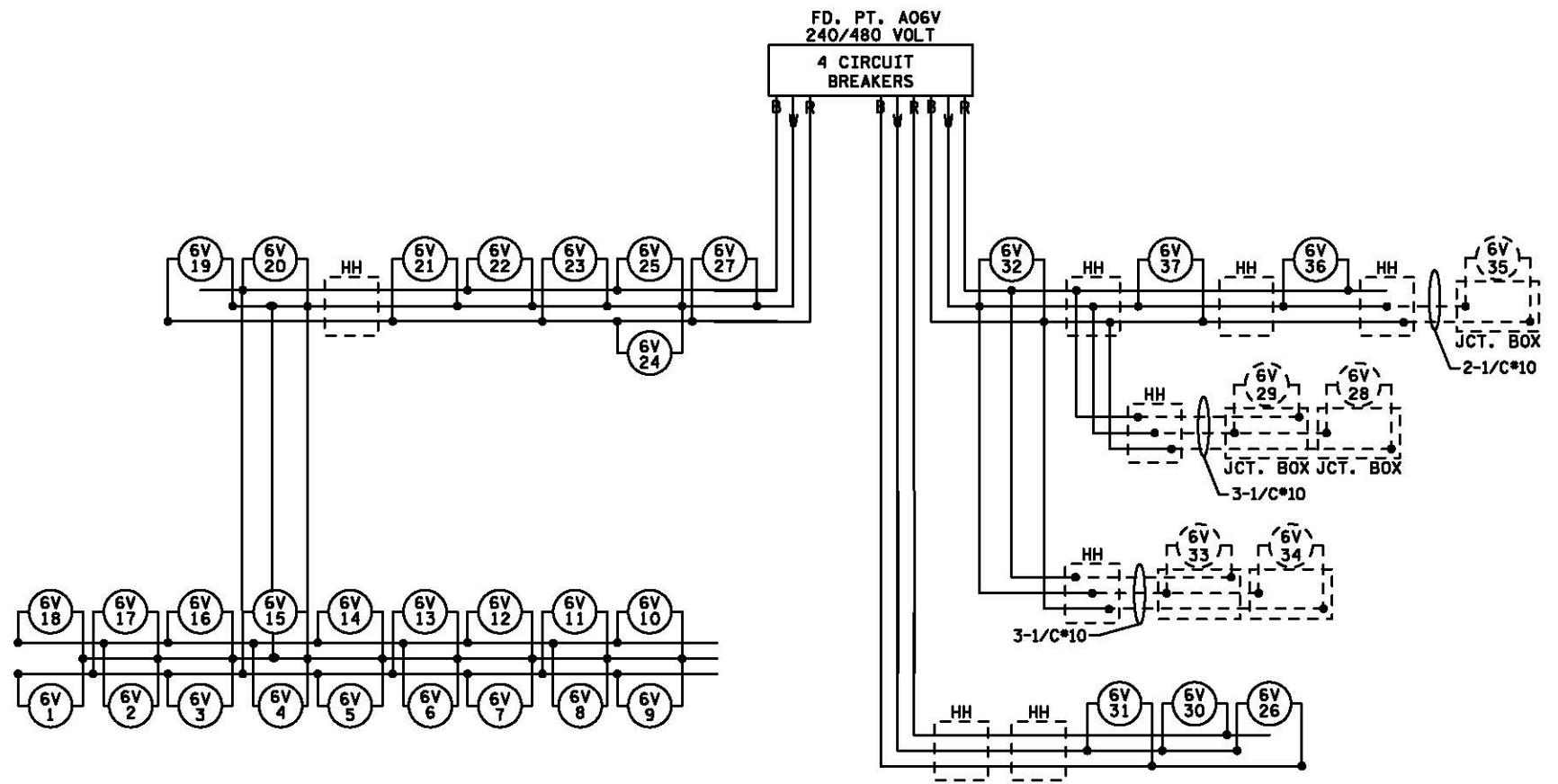
0	10/24/16	AKF	JJG	
NO	DATE	DWN	CKD	REVISIONS



I HEREBY CERTIFY THAT THIS SHEET WAS PREPARED BY ME OR UNDER MY DIRECT SUPERVISION AND THAT I AM A DULY LICENSED PROFESSIONAL ENGINEER UNDER THE LAWS OF THE STATE OF MINNESOTA.

PRINT NAME: MICHAEL P. MCCURDY
 SIGNATURE: *Michael P. McCurdy*
 DATE: 10/24/16 LICENSE #: 45902

2:29:58 PM 11/26/2016 C:\Users\mccurdy\OneDrive\Documents\2016\SP2781-432\SL29_SHEET.dgn



FEEDPOINT A06V
LIGHTING STANDARDS AND BASES

NO.	STATION	LT.	RT.	LOCATION	TYPE	LUMINAIRE
1,18	170+40			T.H. 94 W.B.	6BD-49 ②	49-FOOT
2,17	172+40			T.H. 94 W.B.	6BD-49 ②	49-FOOT
3,16	174+75			T.H. 94 W.B.	6BD-49 ②	49-FOOT
4,15	177+15			T.H. 94 W.B.	6BD-49 ②	49-FOOT
5,14	179+55			T.H. 94 W.B.	6BD-49 ①	49-FOOT
6,13	182+20			T.H. 94 W.B.	6BD-49 ①	49-FOOT
7,12	184+85			T.H. 94 W.B.	6BD-49 ②	49-FOOT
8,11	187+60			T.H. 94 W.B.	6BD-49 ②	49-FOOT
9,10	189+70			T.H. 94 W.B.	6BD-49 ②	49-FOOT
19	77+28		-	LYNDALE AVE. N.B.	9-40 ⑦	40-FOOT
20	79+87		-	LYNDALE AVE. N.B.	9-40	40-FOOT
21	82+45		-	LYNDALE AVE. N.B.	6B-40 ①	40-FOOT
22	84+55		-	LYNDALE AVE. N.B.	6B-40 ①	40-FOOT
23	86+65		-	LYNDALE AVE. N.B.	6B-40 ①	40-FOOT
24,25	89+70		-	LYNDALE AVE. N.B.	9D-40	40-FOOT
26	10+51		-	RAMP 2A	6B-40 ②	40-FOOT
27	92+30		-	LYNDALE AVE N.B.	9-40 ①	40-FOOT
28	-	-	-	RAMP 2A	UNDERPASS (INPLACE)	
29	-	-	-	RAMP 2A	UNDERPASS (INPLACE)	
30	12+82		-	RAMP 2A	6B-40 ②	40-FOOT
31	93+39		-	RAMP 7	9-40	40-FOOT
32	429+36		-	RAMP 14	9-40	40-FOOT
33	-	-	-	RAMP 7	UNDERPASS (INPLACE)	
34	-	-	-	RAMP 7	UNDERPASS (INPLACE)	
35	-	-	-	RAMP 14B	UNDERPASS (INPLACE)	
36	1422+45		-	RAMP 14B	9-40	40-FOOT
37	1425+10		-	RAMP 14B	6B-40	40-FOOT

B AND R DENOTE CURRENT CARRYING CONDUCTORS
W DENOTES NEUTRAL CONDUCTOR
DASHED LINES DENOTE INPLACE ITEMS

GENERAL NOTE:

1. INSTALL SALVAGED LUMINAIRES, UNLESS OTHERWISE NOTED.

SPECIFIC NOTES:

- ① MOUNT ON BARRIER FOUNDATION. SEE BRIDGE PLANS FOR DETAILS.
- ② MOUNT ON BARRIER FOUNDATION. SEE ROADWAY PLANS FOR DETAILS.
- ⑦ TURN LIGHTING UNIT ACCESS DOOR AWAY FROM OBSTRUCTION.

AS-BUILT

FEED POINT A06V

PROPOSED LIGHTING SYSTEM

SP 2781-432 (T.H. 94)
SHEET NO. SL30 OF SL71 SHEETS

2:30:02 PM 11/26/2016 C:\Users\mccur\OneDrive\Documents\Projects\SP 2781-432\11111.dgn

NO	DATE	DWN	CKD	REVISIONS
0	10/24/16	AKF	JJG	



I HEREBY CERTIFY THAT THIS SHEET WAS PREPARED BY ME OR UNDER MY DIRECT SUPERVISION AND THAT I AM A DULY LICENSED PROFESSIONAL ENGINEER UNDER THE LAWS OF THE STATE OF MINNESOTA.

PRINT NAME: MICHAEL P. MCCURDY
SIGNATURE: *Michael P. McCurdy*
DATE: 10/24/16 LICENSE #: 45902