

SEE LEGEND SHEET 89

W DENOTES NEUTRAL CONDUCTOR  
B AND R DENOTE CURRENT CARRYING CONDUCTORS  
DASHED LINES REPRESENT INPLACE ITEMS



NOTES: ① ② NEW 4C/#4 ARMORED CABLE TO BYPASS TMC SIGN BASE AS REQUIRED  
INSTALL SALVAGED LIGHTING UNIT V/11 AS SHOWN - F&I LIGHTING BASE H

NOTES: ① ② NEW 4C/#4 ARMORED CABLE TO BYPASS TMC SIGN BASE AS REQUIRED  
INSTALL SALVAGED LIGHTING UNIT V/18 AS SHOWN - F&I LIGHTING BASE H

NOTES: ① ② SEE WIRE DIAGRAM

NOTE: ① SEE WIRE DIAGRAM

NOTE: ① SEE WIRE DIAGRAM

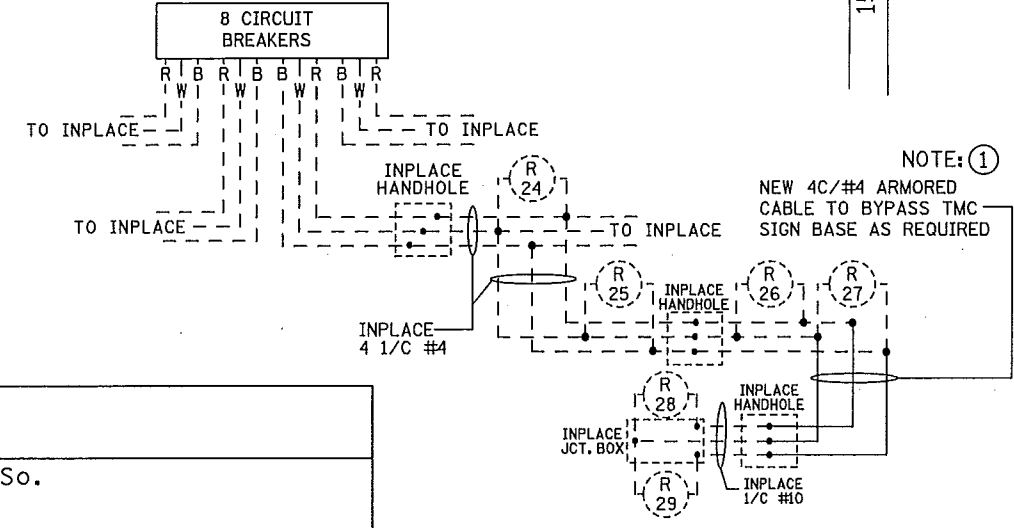
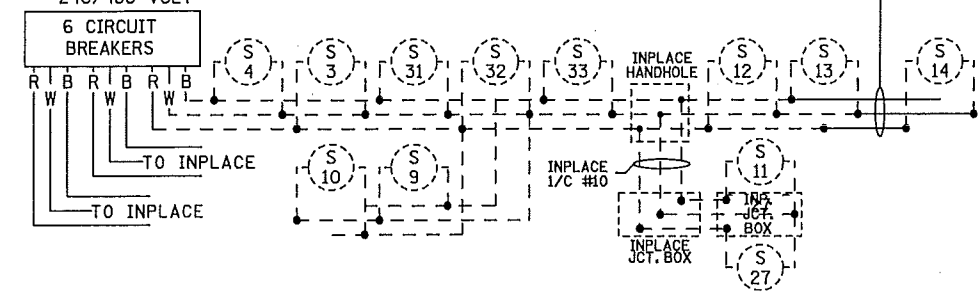
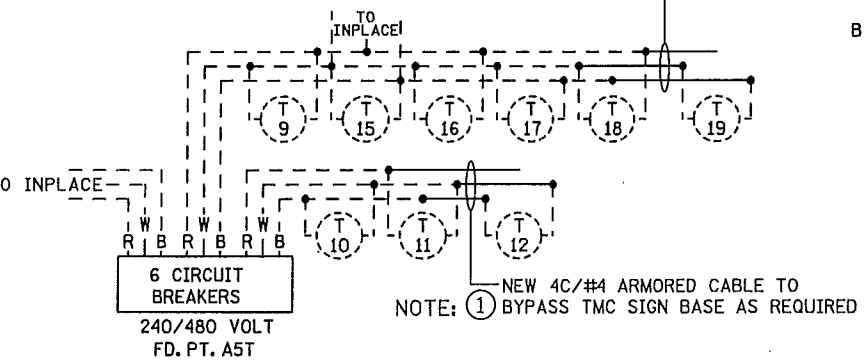
NOTE: ① NEW 4C/#4 ARMORED CABLE TO BYPASS TMC SIGN BASE AS REQUIRED

W DENOTES NEUTRAL CONDUCTOR  
B AND R DENOTE CURRENT CARRYING CONDUCTORS  
DASHED LINES REPRESENT INPLACE ITEMS

NOTES: ① ② NEW 4C/#4 ARMORED CABLE TO BYPASS TMC SIGN BASE AS REQUIRED  
INSTALL SALVAGED LIGHTING UNIT S/14 AS SHOWN - F&I LIGHTING BASE H

W DENOTES NEUTRAL CONDUCTOR  
B AND R DENOTE CURRENT CARRYING CONDUCTORS  
DASHED LINES REPRESENT INPLACE ITEMS

NOTE: ① NEW 4C/#4 ARMORED CABLE TO BYPASS TMC SIGN BASE AS REQUIRED



W DENOTES NEUTRAL CONDUCTOR  
B AND R DENOTE CURRENT CARRYING CONDUCTORS  
DASHED LINES REPRESENT INPLACE ITEMS

SYSTEM ID:	FEEDPOINT: A5S	T.E.	LOCATION: 9th. St.
METER ADDRESS:	898 13th Ave. So.	Minneapolis	55404
SYSTEM ID:	FEEDPOINT: A5R	T.E.	LOCATION: 14th Ave. So.
METER ADDRESS:	1424 East 18th St.	Minneapolis	55404
SYSTEM ID:	FEEDPOINT: A5T	T.E.	LOCATION: Elliott Ave. So.
METER ADDRESS:	949 East 18th St.	Minneapolis	55404
SYSTEM ID:	FEEDPOINT: A5V	T.E.	LOCATION: Chicago Ave. So.
METER ADDRESS:	910 East 17th St.	Minneapolis	55404

FEEDPOINTS A5R, A5S, A5T, A5V

**LIGHTING PLAN**

BY	DATE	REVISIONS

CERTIFIED BY *Michael P. Gubinsky* LIC. NO. 19863 DATE: 9/1/2010  
LICENSED PROFESSIONAL ENGINEER

STATE PROJ. NO. 2781-444 (T.H. 94) SHEET NO. 90 OF 227 SHEETS

DISTRICT #: METRO  
 PLOT NAME: 12781444\_02  
 PATH & FILENAME: IP\_PWP-d1207605v2781444\_11.dgn  
 PLOTTED/REVISED: 9/1/2010



DISTRICT #: METRO  
 PLOT NAME: 12783-113\_101-3  
 PATH & FILENAME: c:\Project\12783-113\_101-3\12783-113\_101-3.ltrtab.dgn  
 PLOTTED/REVISED: 2/11/2010

### FEEDPOINT A5T

LIGHTING STANDARDS AND BASES							
NO.	STA.	ALI	LT.	RT.	LOCATION	TYPE	WATTAGE
1	250+75	94EBR			TH94EB	L	250
④ 2	252+05	↑			↑	VMBD-40	400
3							
④ 4	254+05	↑			↑	VMBD-40	400
5							
④ 6	256+05	↑			↑	VMBD-40	400
7							
8	257+35	↓				L	250
9	258+70	94EBR				VM-49	400
10	61+90	LEB94				↑	↑
11	64+75	LEB94				↓	↓
12	67+65	LEB94			TH94EB	VM-49	400
13	57+65	35SB			35W MED.	L	250
14	57+65	35NB			35W MED.	L	250
15	58+95	35NB			TH35WNB	VM-49	400
16	61+15	35NB			↑	↑	↑
17	62+95	LMED35W				↓	↓
18	65+15	LMED35W				↓	↓
19	67+35	LMED35W			TH35WNB	VM-49	400

④ SEE SHEET # 6 FOR BRACKET AND POLE DETAIL

### FEEDPOINT A6F

LIGHTING STANDARDS AND BASES							
NO.	STA.	ALI	LT.	RT.	LOCATION	TYPE	WATTAGE
④ 15	243+05	WB94			11th ST RAMP	VMB-40	400

### FEEDPOINT A6E

LIGHTING STANDARDS AND BASES							
NO.	STA.	ALI	LT.	RT.	LOCATION	TYPE	WATTAGE
1-20	INPLACE						
22	37+30	NB35			5th AVE. S. to TH94EB	VM-40	250
23	39+60	NB35				VM-40	↑
24	42+30	NB35				VM-40	↑
25	245+15	94EBR				9-40	
① ② 26	247+55	94EBR			INPLACE	6B-40	
① ② 27	249+50	94EBR			INPLACE	6B-40	
28	43+95	NB35		MED.	PIERLEG AS SHOWN	L	
29	44+45	NB35		MED.		L	↓
30	44+15	NB35		MED.		L	250

- ① RENUMBER INPLACE POLE
- ② REPLACE LUMINAIRES ON EXISTING BARRIER POLES

### FEEDPOINT A5V

LIGHTING STANDARDS AND BASES							
NO.	STA.	ALI	LT.	RT.	LOCATION	TYPE	WATTAGE
1	68+00	LMED35W	---		RAMP11	VMD-49	400
2							
3	3+95	LR14			RAMP14 to TH94WB	VM-49	↑
4	1+80	LR14				↑	↑
5	63+45	LWB94			T.H. 94WB		
6	260+65	WB94				↑	↓
7	258+55	↑				VM-49	400
8	257+20					L	250
9	255+95					VM-49	400
10	253+90					VM-49	400
11	251+90					VM-49	400
12	250+60					L	250
13	249+30					VM-49	400
14	247+30	↓				VM-49	↑
④ 15	245+35	WB94			T.H. 94WB	VMB-40	↑
16	56+40	35SB			T.H. 35WSB	VM-49	↓
17	54+35	↑				VM-49	↓
18	52+35	↓				VM-49	400
19	51+05	↓			T.H.35WSB	L	250
① 20	46+00	35SB			INPLACE	6B0-40	---
21							
22	46+00	35NB			T.H. 35WNB	VM-40	250
23	48+10	↑			↑	VMD-49	400
24							
25	50+00	↓			↓	VMD-49	400
26							
27	51+05	35NB			T.H.35WNB	L	250
28	244+00	WB94			T.H. 94WB	L	250

- ① RENUMBER INPLACE POLE
- ④ SEE SHEET # 6 FOR BRACKET AND POLE DETAIL

TABS FOR FEEDPOINTS A5T, A6E & A5V  
 TAB & WIRE DIAGRAM FOR A6F  
 SEE SHEET #14

### LIGHTING PLAN

DRAWN BY: NS

CHECKED BY: GB

CERTIFIED BY

*Michael P. Gubinsky*  
 LICENSED PROFESSIONAL ENGINEER

LIC. NO. 19863

DATE 2/11/2010

STATE PROJ. NO. 2783-113

(T.H. 35W)

SHEET NO. 15 OF 21 SHEETS