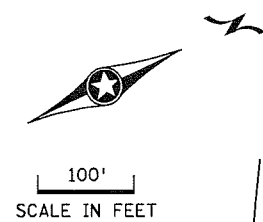
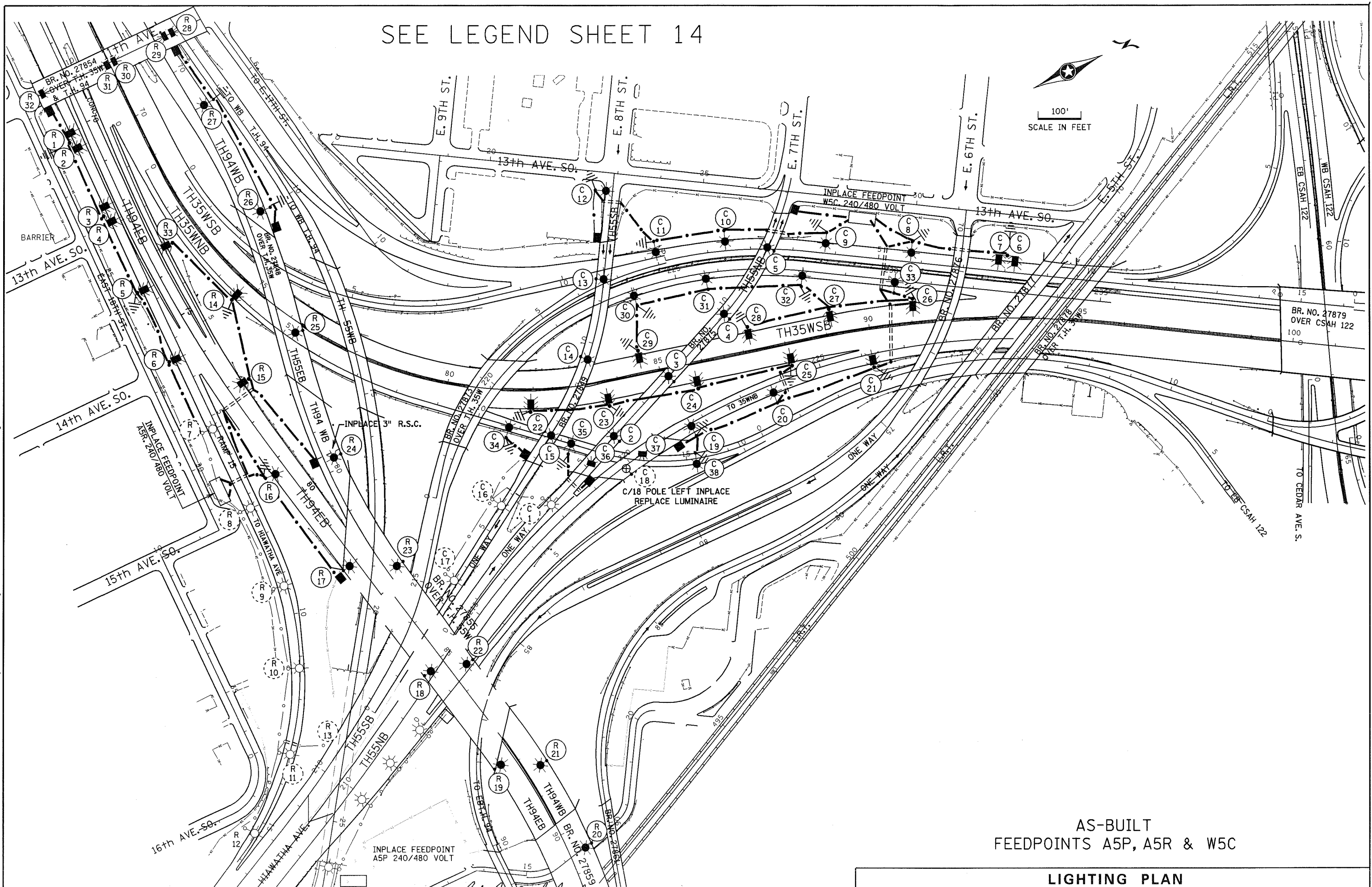


SEE LEGEND SHEET 14



PLOTTED/REVISED: 2/11/2010

DISTRICT #: METRO
PLOT NAME: 12783-113-J01-3
PATH & FILENAME: c:\ProJectWise\PW_Working\Kluft\Er\12783-113\13-J01-3\l1tabdgn



AS-BUILT
FEEDPOINTS A5P, A5R & W5C

LIGHTING PLAN

DRAWN BY: NS

CHECKED BY: GB

CERTIFIED BY

Michael P. Dubinsky
LICENSED PROFESSIONAL ENGINEER

LIC. NO. 19863

DATE 4/1/2008

STATE PROJ. NO. 2783-113

(T.H. 35W)

SHEET NO. 16 OF 21 SHEETS

SEE LEGEND SHEET 89

W DENOTES NEUTRAL CONDUCTOR
B AND R DENOTE CURRENT CARRYING CONDUCTORS
DASHED LINES REPRESENT INPLACE ITEMS



NOTES: ① ② NEW 4C/#4 ARMORED CABLE TO BYPASS TMC SIGN BASE AS REQUIRED
INSTALL SALVAGED LIGHTING UNIT V/11 AS SHOWN - F&I LIGHTING BASE H

NOTES: ① ② NEW 4C/#4 ARMORED CABLE TO BYPASS TMC SIGN BASE AS REQUIRED
INSTALL SALVAGED LIGHTING UNIT V/18 AS SHOWN - F&I LIGHTING BASE H

NOTES: ① ② SEE WIRE DIAGRAM

NOTE: ① SEE WIRE DIAGRAM

NOTES: ① ② SEE WIRE DIAGRAM

NOTE: ① SEE WIRE DIAGRAM

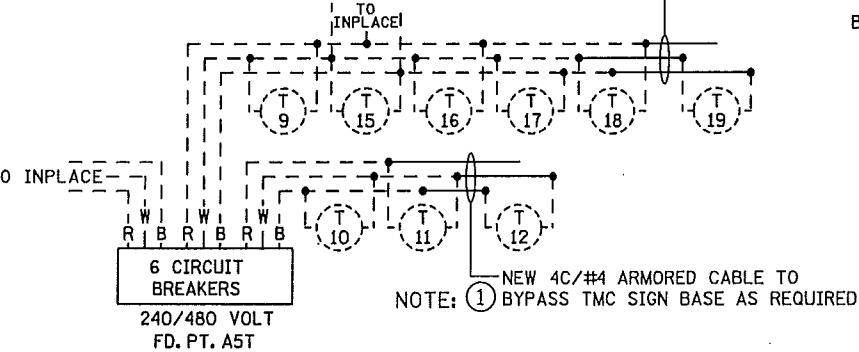
NOTE: ① NEW 4C/#4 ARMORED CABLE TO BYPASS TMC SIGN BASE AS REQUIRED

W DENOTES NEUTRAL CONDUCTOR
B AND R DENOTE CURRENT CARRYING CONDUCTORS
DASHED LINES REPRESENT INPLACE ITEMS

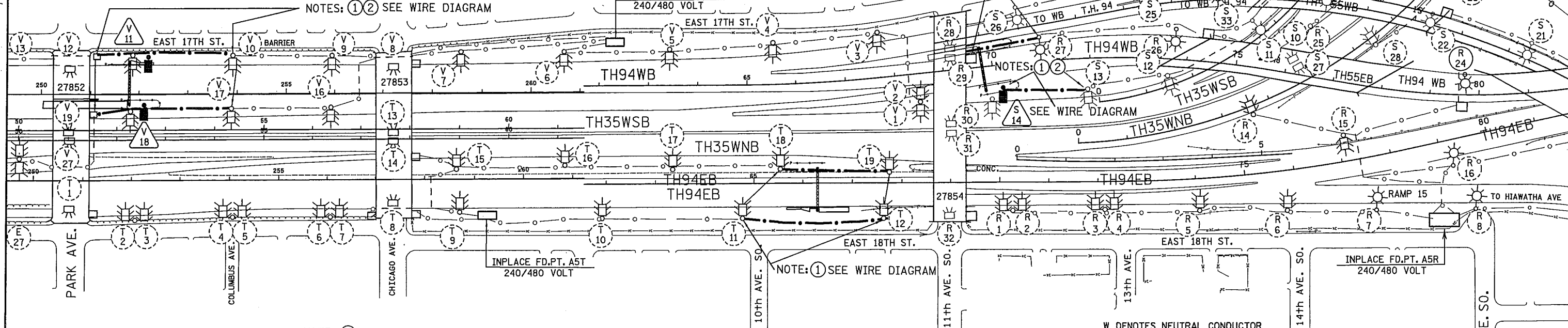
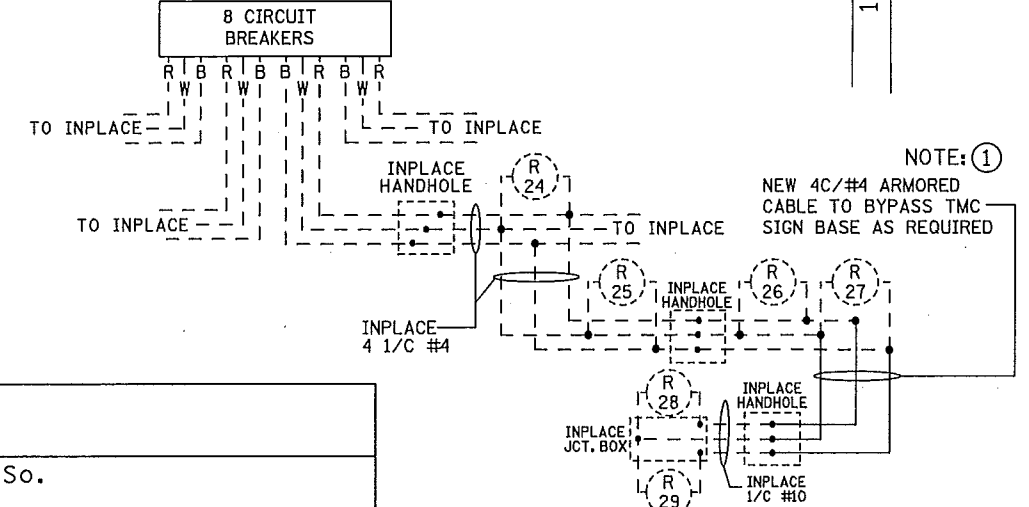
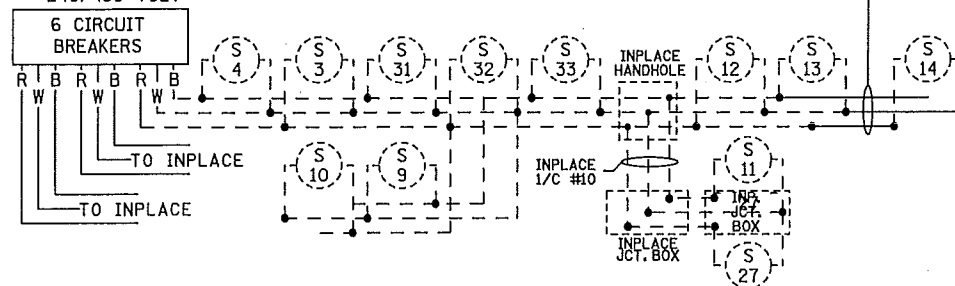
NOTES: ① ② NEW 4C/#4 ARMORED CABLE TO BYPASS TMC SIGN BASE AS REQUIRED
INSTALL SALVAGED LIGHTING UNIT S/14 AS SHOWN - F&I LIGHTING BASE H

W DENOTES NEUTRAL CONDUCTOR
B AND R DENOTE CURRENT CARRYING CONDUCTORS
DASHED LINES REPRESENT INPLACE ITEMS

NOTE: ① NEW 4C/#4 ARMORED CABLE TO BYPASS TMC SIGN BASE AS REQUIRED



NOTE: ① NEW 4C/#4 ARMORED CABLE TO BYPASS TMC SIGN BASE AS REQUIRED



SYSTEM ID:	FEEDPOINT: A5S	T.E.	LOCATION: 9th. St.
METER ADDRESS:	898 13th Ave. So.	Minneapolis	55404
SYSTEM ID:	FEEDPOINT: A5R	T.E.	LOCATION: 14th Ave. So.
METER ADDRESS:	1424 East 18th St.	Minneapolis	55404
SYSTEM ID:	FEEDPOINT: A5T	T.E.	LOCATION: Elliott Ave. So.
METER ADDRESS:	949 East 18th St.	Minneapolis	55404
SYSTEM ID:	FEEDPOINT: A5V	T.E.	LOCATION: Chicago Ave. So.
METER ADDRESS:	910 East 17th St.	Minneapolis	55404

FEEDPOINTS A5R, A5S, A5T, A5V

LIGHTING PLAN

BY	DATE	REVISIONS

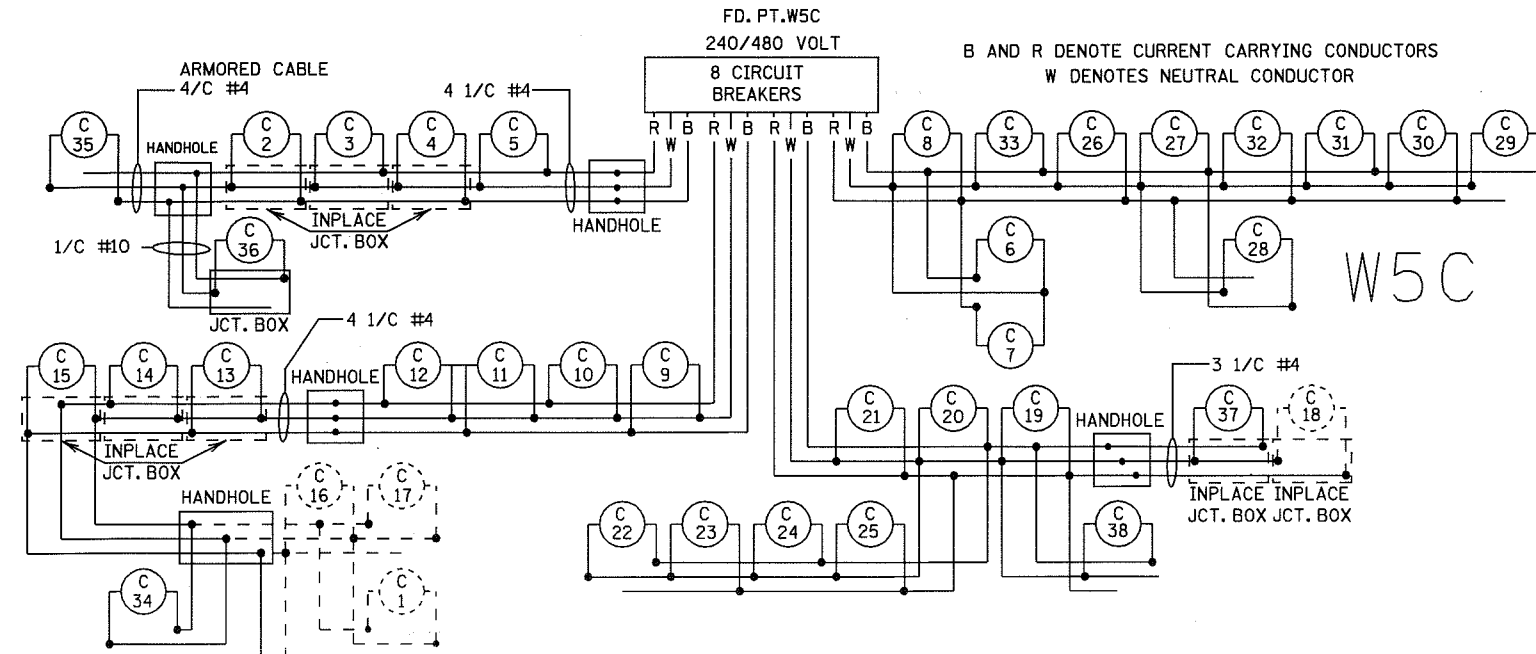
CERTIFIED BY *Michael P. Gubinsky* LIC. NO. 19863 DATE: 9/1/2010
LICENSED PROFESSIONAL ENGINEER

DISTRICT #: METRO
 PLOT NAME: 12781444_02
 PATH & FILENAME: IP_PWP-d1207605V2781444_11.dgn
 PLOTTED/REVISED: 9/1/2010

FEEDPOINT W5C

LIGHTING STANDARDS AND BASES							
NO.	STA.	ALI	LT. RT.	LOCATION	TYPE	WATTAGE	
1	3+65	LR17		TH55NB	INP.		
2	5+95				6B-40	250	
3	7+85						
4	9+80						
5	11+65	LR17		TH55NB	6B-40	250	
6	8+00	LC-DSB		COLLECTOR RD	VMD-49	400	
7							
8	5+75				9-40	250	
9	3+75						
10	1+40						
11	12+25	LC-DSB		COLLECTOR RD			
12	13+55	LR18		TH55SB	9-40		
13	11+50				6B-40		
14	9+60				6B-40		
15	7+65				6B-40	250	
16	5+65				INP.		
17	3+60	LR18		TH55SB	INP.		
18	219+85	LH35NB		to TH35NB	INP. BR.	250	
19	221+65				9-40	250	
20	223+75				9-40	250	
21	226+20	LH35NB		to TH35NB	VM-49	400	
22	81+95	LMED35W		TH35NB			
23	83+70						
24	85+80						
25	88+05			TH35NB			
26	91+05			TH35SB			
27	89+15						
28	87+20						
29	84+60	LMED35W		TH35SB	VM-49	400	
30	223+95	LH35SB		to TH35SB	9-40	250	
31	225+70						
32	228+00						
33	230+15	LH35SB					
34	10+75	LR19		COLLECTOR RD			
35	12+25			to TH35SB	9-40		
36	12+85				L		
37	13+95				L		
38	15+20	LR19		COLLECTOR RD	9-40	250	

- ① RENUMBER INPLACE POLE
- ② REPLACE LUMINAIRES ON EXISTING BRIDGE POLES
- ⑥ MOUNT ON DIAPHRAGM



FEEDPOINT A5P

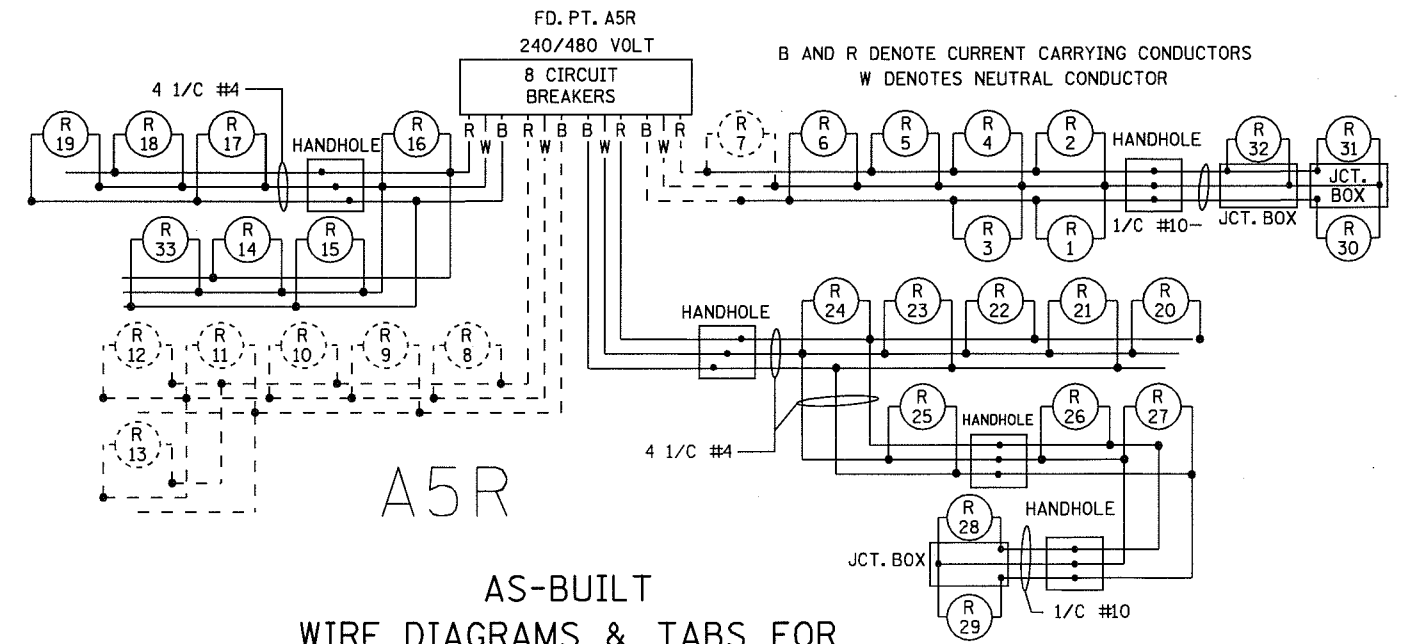
LIGHTING STANDARDS AND BASES				
NO.	STA.	LOCATION	TYPE	WATTAGE
64	INPLACE	MED TH94	L	250
65				
66				
67				
68				
69				
70				
71				
72				
73				
74				
75	INPLACE	MED TH94	L	250

⑤ REPLACE FIXTURES - LEAVE INPLACE WIRING

FEEDPOINT A5R

LIGHTING STANDARDS AND BASES							
NO.	STA.	ALI	LT. RT.	LOCATION	TYPE	WATTAGE	
1	70+25	LEB94		TH94EB	VMD-49	400	
2							
3	72+15	LEB94		TH94EB	VMD-49		
4							
5	1+70	LR15		RAMP15	VM-49		
6	3+45				VM-49	400	
7	5+25				INP.	250	
8	7+30						
9	9+30						
10	11+30						
11	13+30						
12	15+30	LR15		RAMP15			
13	210+55	LH55SB		TH55SB	INP.	250	
14	74+70	LMED35W		TH35NB	VM-49	400	
15	77+10	LEB94		TH94EB	VM-49		
16	79+20	LEB94			9-49		
17	82+00	LEB94			6B-49	400	
18	85+10	LKMED94					
19	87+85			TH94EB			
20	90+45			TH94WB			
21	88+35						
22	85+50	LKMED94					
23	82+70	LWB94					
24	79+70						
25	76+65				6B-49		
26	73+75				9-49		
27	71+00	LWB94			9-49	400	
28	5+35	LR14		TH94WB	L	250	
29	69+15	LWB94		RAMP14 to WB94			
30	68+65	LMED35W		35WMED			
31	68+65	LMED35W		35WMED			
32	69+00	LEB94		TH94EB	L	250	
33	73+00	LEB94		TH94EB	VM-49	400	

① RENUMBER INPLACE POLE



AS-BUILT
WIRE DIAGRAMS & TABS FOR
FEEDPOINTS A5P, A5R & W5C
SEE SHEET #16

LIGHTING PLAN

DISTRICT #: METRO
 IPLOT NAME: 12783-113_1of-3
 PATH & FILENAME: c:\Project\wise\pw_working\klut\er\078404\12783-113_1of-3.lfttab.dgn
 PLOTTED/REVISED: 2/11/2010