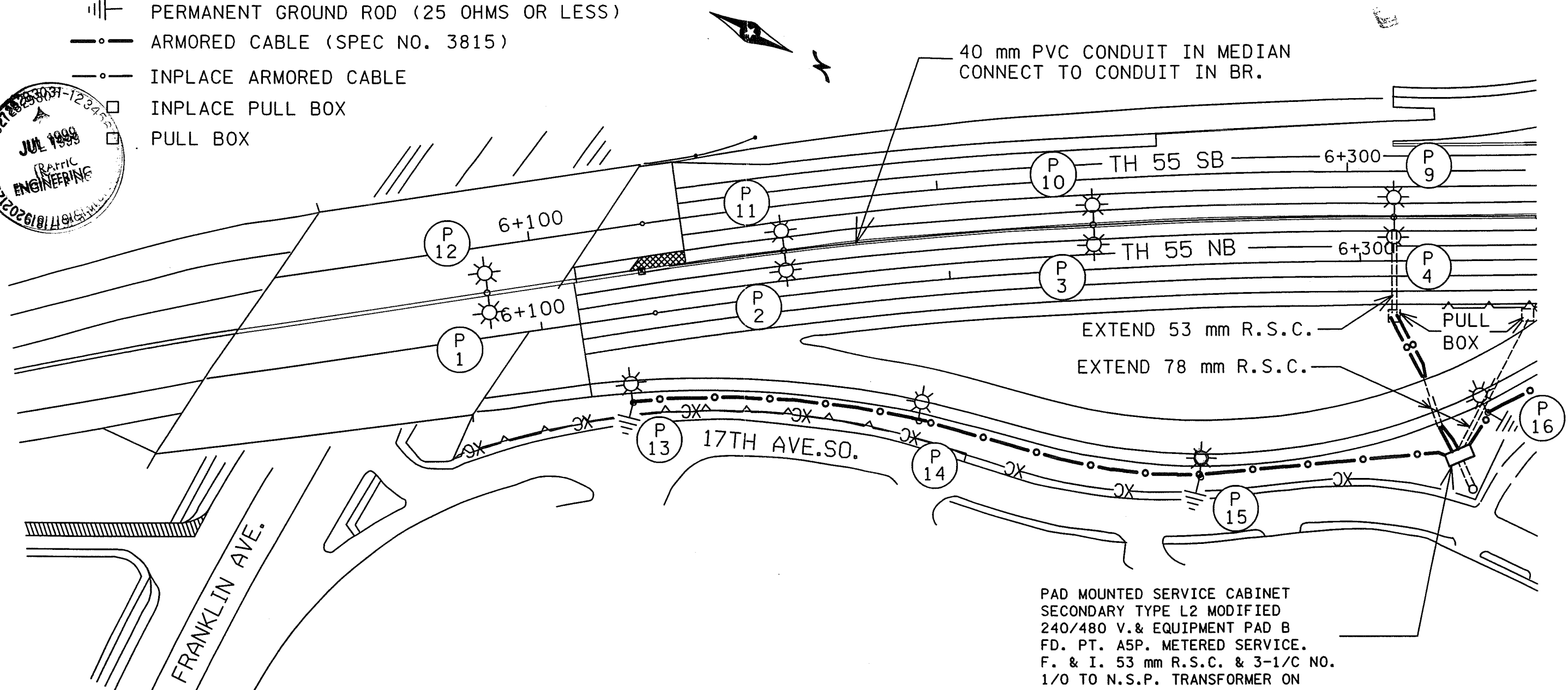
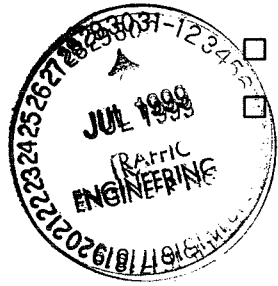


LEGEND

- INPLACE SOURCE OF POWER (240/480 V.)
- PAD MOUNTED SOURCE OF POWER (240/480 V.)
- INPLACE LIGHTING UNIT
- 200 WATT HIGH PRESSURE SODIUM LIGHTING UNIT
- 200 WATT HIGH PRESSURE SODIUM TWIN MAST ARM LIGHTING UNIT
- INPLACE CONDUIT
- === CONDUIT-SIZE AND TYPE AS INDICATED ON PLAN
- ||| PERMANENT GROUND ROD (25 OHMS OR LESS)
- ARMORED CABLE (SPEC NO. 3815)
- INPLACE ARMORED CABLE
- INPLACE PULL BOX
- PULL BOX

EXHIBIT 131D
 T.H. 55 & FRANKLIN AVE.
 IN MINNEAPOLIS
 N.S.P. (METERED)

CERTIFIED COPY



PAD MOUNTED SERVICE CABINET
 SECONDARY TYPE L2 MODIFIED
 240/480 V. & EQUIPMENT PAD B
 FD. PT. A5P. METERED SERVICE.
 F. & I. 53 mm R.S.C. & 3-1/C NO.
 1/0 TO N.S.P. TRANSFORMER ON
 INPLACE POWER POLE.

SHEET TOTALS
 12-200 WATT HIGH PRESSURE SODIUM LIGHTING UNITS

LIGHTING PLAN

PAD MOUNTED SERVICE CABINET
 SECONDARY TYPE L1 240/480 V.
 AND EQUIPMENT PAD B, FD. PT. A5R.
 F. & I. 53 mm R.S.C. AND 3-1/C
 NO. 1/0 TO TRANSFORMER ON N.S.P. P.P.
 METERED SERVICE

 DENOTES LIGHTS NOT INCLUDED ON THIS EXHIBIT

SHEET TOTALS
 6-200 WATT HIGH PRESSURE SODIUM LIGHTING UNITS
 12-200 WATT HIGH PRESSURE SODIUM UNDERPASS LIGHTS

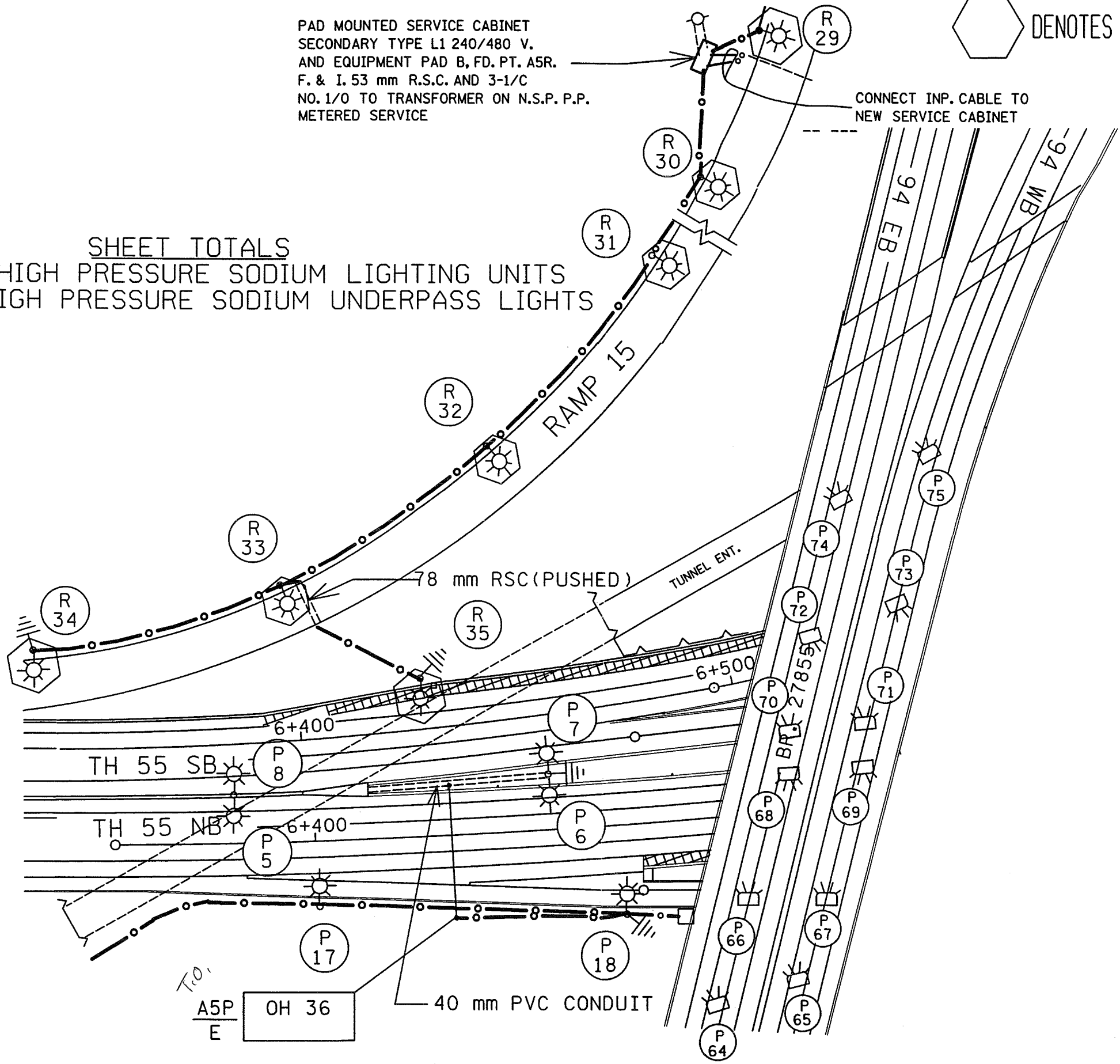


EXHIBIT 131D
 T.H. 55 & T.H. 94
 IN MINNEAPOLIS
 N.S.P. (METERED)

FD. PT. A5P

LIGHTING STANDARDS AND BASES

	NO.	STATION	LT.	RT.	LOCATION	TYPE
(1)	1 12	6+085	—		HIAWATHA NB	2BD-12
(3)	2 11	6+160	—		HIAWATHA NB	2BD-12
(3)	3 10	6+231	—		HIAWATHA NB	2BD-12
(3)	4 9	6+302	—		HIAWATHA NB	2BD-12
(3)	5 8	6+376	—		HIAWATHA NB	2BD-12
(3)	6 7	6+450	—		HIAWATHA NB	2BD-12
(2)	13	6+120			HIAWATHA NB	2-12
(2)	14	AS SHOWN			ALINGMENT G	2-12
(2)	15	AS SHOWN			ALINGMENT G	2-12
(2)	16	AS SHOWN			ALINGMENT G	2-12
(2)	17	6+400			HIAWATHA NB	2-12
(2)	18	6+470			HIAWATHA NB	2-12
	19-29	INPLACE			BR. 27855	L

- (1) LIGHT ANCHORAGE INPLACE
- (2) PLACE LIGHTING UNITS 9' BEHIND CURB OR BIT. SHOULDER OR AS DIRECTED BY THE ENGINEER
- (3) LIGHT BASE DESIGN E MODIFIED

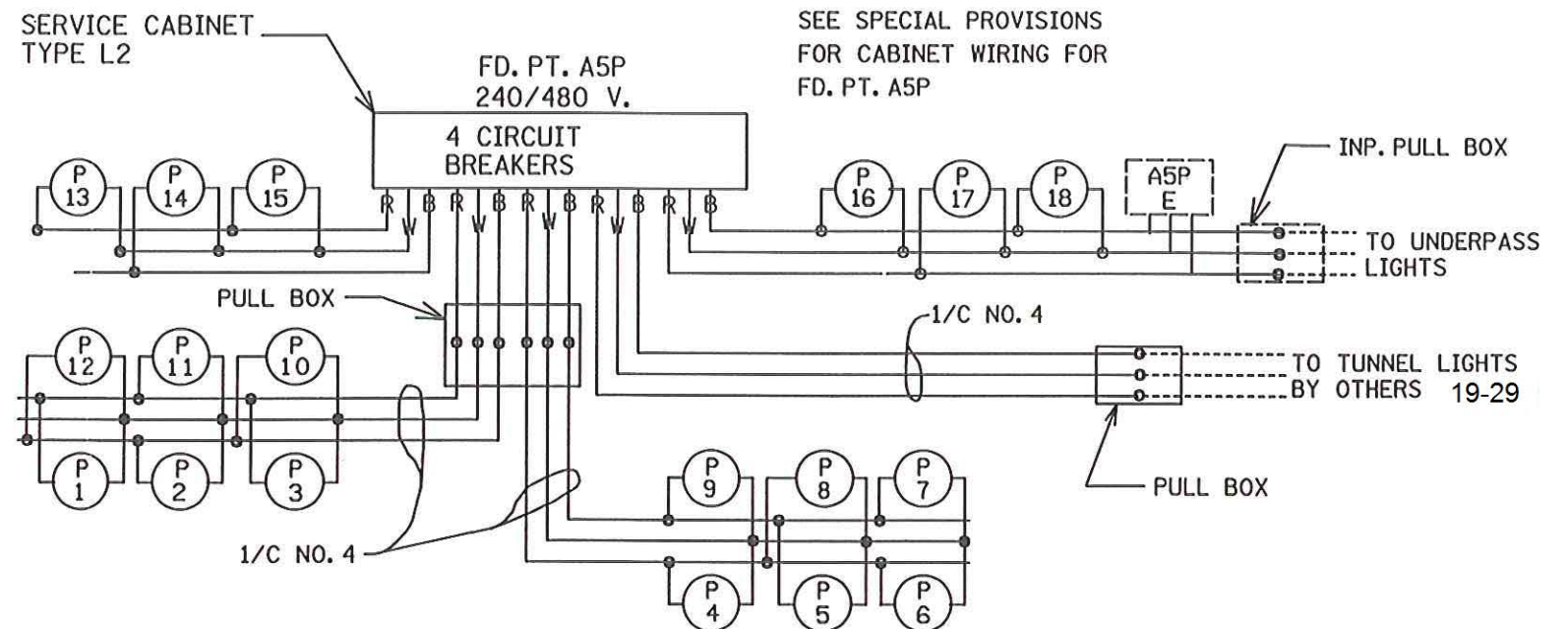


EXHIBIT 131D
T.H. 55 & T.H. 94
IN MINNEAPOLIS
N.S.P. (METERED)



LIGHTING PLAN

CERTIFIED BY

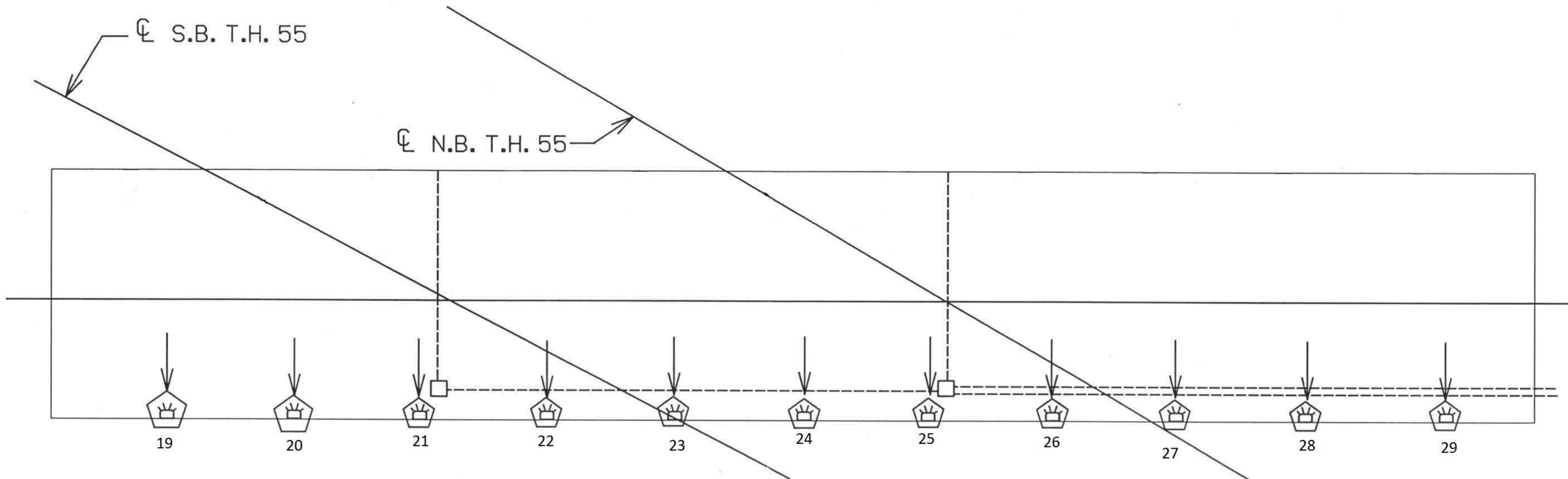
Susan A. Laddale
PROFESSIONAL ENGINEER



REG. NO. 21180

State Proj. No. 2724-107 (T.H. 55)
2783-100 (T.H. 35W)

Sheet No. 3 of 4 Sheets

MINNEAPOLIS
BR. 27857
(TUNNEL)



-  250 WATT HIGH PRESSURE SODIUM UNDERPASS LIGHTING UNIT
- CONDUIT
-  PULL BOX

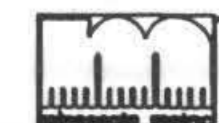
SHEET TOTALS

11-200 WATT HIGH PRESSURE SODIUM UNDERPASS LIGHTS
11-175 WATT MERCURY VAPOR UNDERPASS LIGHTS

GRAND TOTAL

18-200 WATT HIGH PRESSURE SODIUM LIGHTING UNITS
23-200 WATT HIGH PRESSURE UNDERPASS LIGHTS
11-175 WATT MERCURY VAPOR UNDERPASS LIGHTS

EXHIBIT 131D
HIAWATHA TUNNEL (BR. 27857)
T.H. 55 & T.H. 94
IN MINNEAPOLIS
N.S.P. (METERED)



LIGHTING PLAN

CERTIFIED BY *Susan C. Latale*
PROFESSIONAL ENGINEER

REG. NO. 21180

State Proj. No. 2724-107 (T.H. 55)
2783-100 (T.H. 35W)

Sheet No. 4 of 4 Sheets