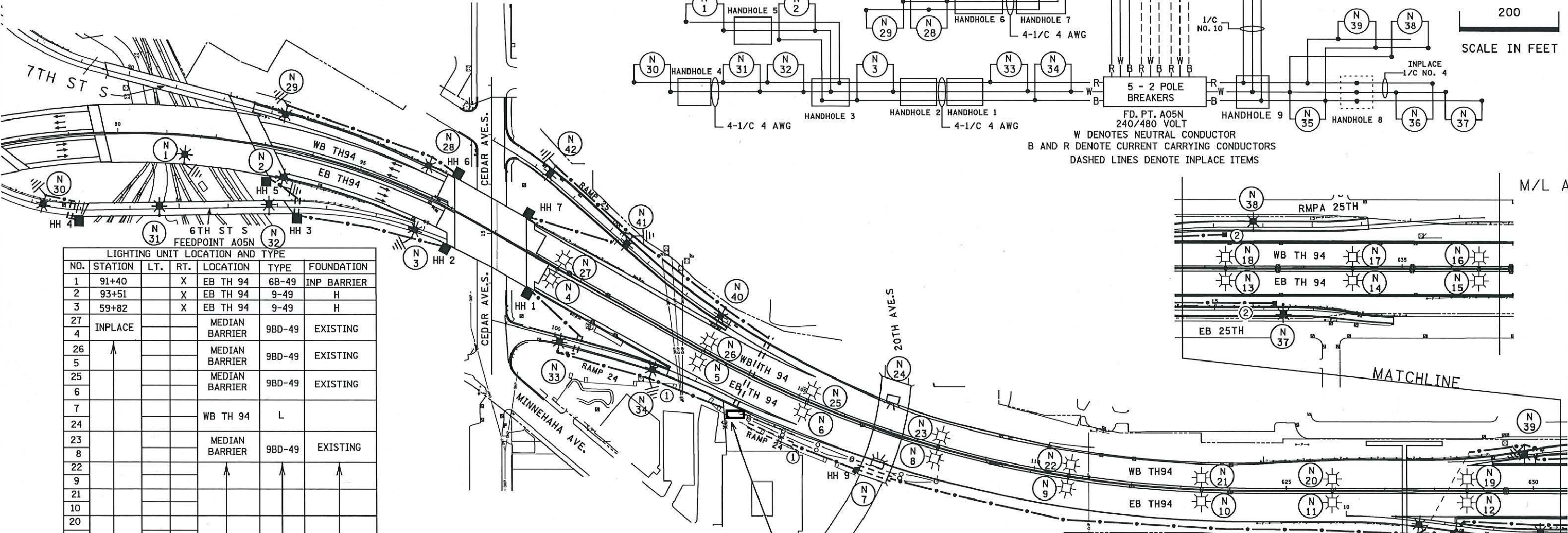
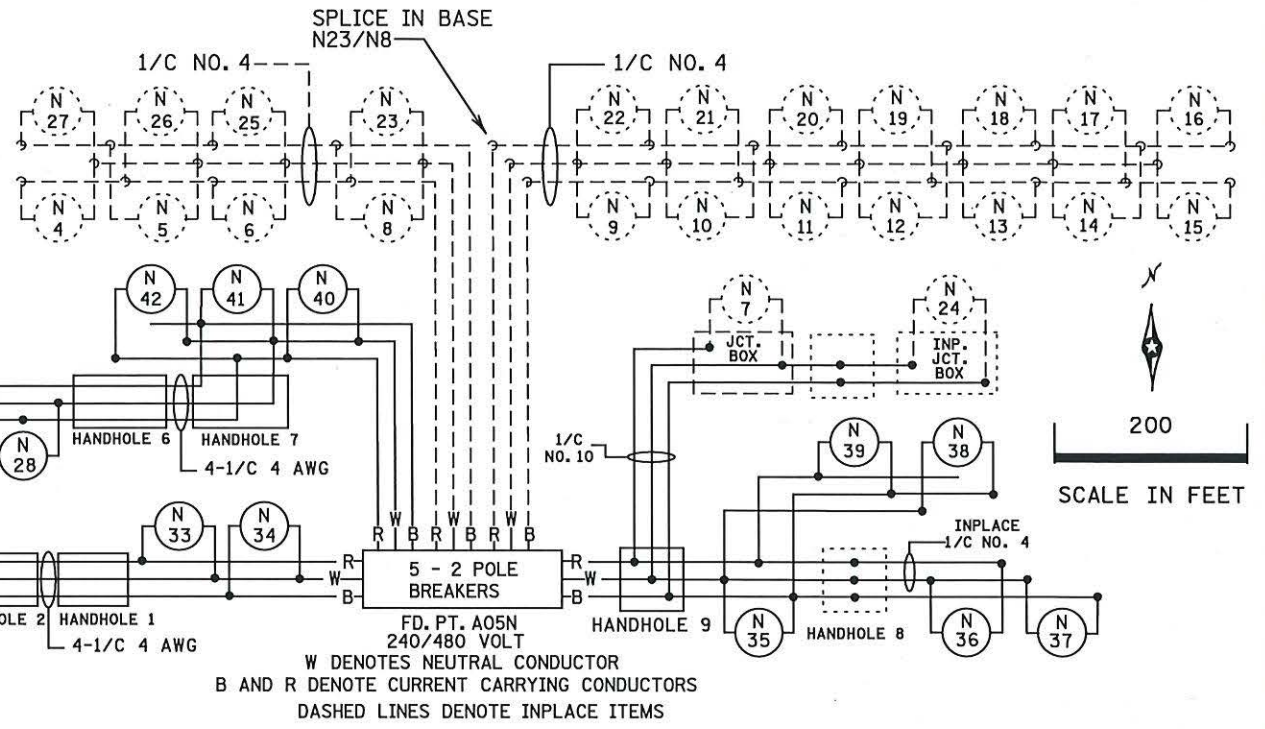


LEGEND

- == 3" PVC (UNLESS OTHERWISE NOTED)
- HANDHOLE
- ☼ LIGHTING UNIT
- ⋮ PERMANENT GROUND ROD (25 OHMS OR LESS)
- ⊙ DIRECT BURIED LIGHTING CABLE 4/C 4 AWG
- ⊙ LIGHTING UNIT IDENTIFIER
- ☼ INPLACE LIGHTING UNIT
- INPLACE FD. PT. CABINET
- INPLACE CONDUIT.
- ⊙ INPLACE UNDERPASS LIGHT
- ⊙ INPLACE DIRECT BURIED LIGHTING CABLE

- SPECIFIC NOTES:**
- ① CABLES AND CONDUIT TO BE PLACED BETWEEN SOUND WALL & ROAD.
 - ② F. & I. 1.5" PVC COATED RSC WITH 3-1/C 4 AWG MOUNTED TO RETAINING WALL

FEEDPOINT A05N						
LIGHTING UNIT LOCATION AND TYPE						
NO.	STATION	LT.	RT.	LOCATION	TYPE	FOUNDATION
31	54+60		X	6TH ST RAMP	6B-40	EXISTING
32	56+82		X	6TH ST RAMP	6B-40	EXISTING
33	100+15		X	RAMP 24	9-40	E
34	102+10		X	RAMP 24	9-40	E
35	11+48		X	WB TH 94	9-40	E
36	13+94		X	EB 25TH	6B-40	EXISTING
37	16+40		X	EB 25TH	6B-40	EXISTING
38	13+80	X		WB TH 94	6B-40	EXISTING
39	13+18	X		RAMP 25TH	9-40	E
40	102+80	X		RMPA 25TH	9-40	E
41	100+40	X		RMPA 25TH	9-40	
42	98+31	X		RMPA 25TH	9-40	



LIGHTING UNIT LOCATION AND TYPE						
NO.	STATION	LT.	RT.	LOCATION	TYPE	FOUNDATION
1	91+40		X	EB TH 94	6B-49	INP BARRIER
2	93+51		X	EB TH 94	9-49	H
3	59+82		X	EB TH 94	9-49	H
27	INPLACE			MEDIAN BARRIER	9BD-49	EXISTING
4				MEDIAN BARRIER	9BD-49	EXISTING
26				MEDIAN BARRIER	9BD-49	EXISTING
5				MEDIAN BARRIER	9BD-49	EXISTING
25				MEDIAN BARRIER	9BD-49	EXISTING
6				MEDIAN BARRIER	9BD-49	EXISTING
7				WB TH 94	L	
24				MEDIAN BARRIER	9BD-49	EXISTING
23				MEDIAN BARRIER	9BD-49	EXISTING
8				MEDIAN BARRIER	9BD-49	EXISTING
22						
9						
21						
10						
20						
11						
19						
12						
18						
13						
17						
14						
16	INPLACE			MEDIAN BARRIER	9BD-49	EXISTING
15				MEDIAN BARRIER	9BD-49	EXISTING
28	96+22	X		7TH ST S	9-49	
29	93+30	X		7TH ST S	9-49	
30	52+25	X		6TH ST RAMP	9-40	

FD. PT. A05N
 PAD MOUNTED SERVICE CABINET
 SECONDARY TYPE L1
 240/480 V (METERED)
 EQUIPMENT PAD TYPE B REQUIRED
 2" R.S.C. 3- 1/C #2 TO XCEL ENERGY
 PAD MOUNTED TRANSFORMER.

AS-BUILT FEEDPOINT A05N

LIGHTING PLAN

BY	DATE	REVISIONS	FEEDPOINT: A05N	LOCATION: CEDAR AVE.	STATE PROJ.NO. 2781-468 (T.H. 94) SHEET NO. SL9 OF SL12 SHEETS
			METER ADDRESS: 1819 MINNEHAHA AVE, MINNEAPOLIS 55404		
DRAWN BY: HL			CERTIFIED BY: <i>Michael P. Lubensky</i>		DATE: 30-JAN-2020
CKD BY: PB			LIC. NO. 19863		

DISTRICT #: Metro
 I/PLOT NAME: 12781-468_111_10
 PATH & FILENAME: Projects\DM_R05\09-A-2781-468\Traffic\Lighting\12781-468_111_10.dgn
 PLOTTED/REVISED: 30-JAN-2020