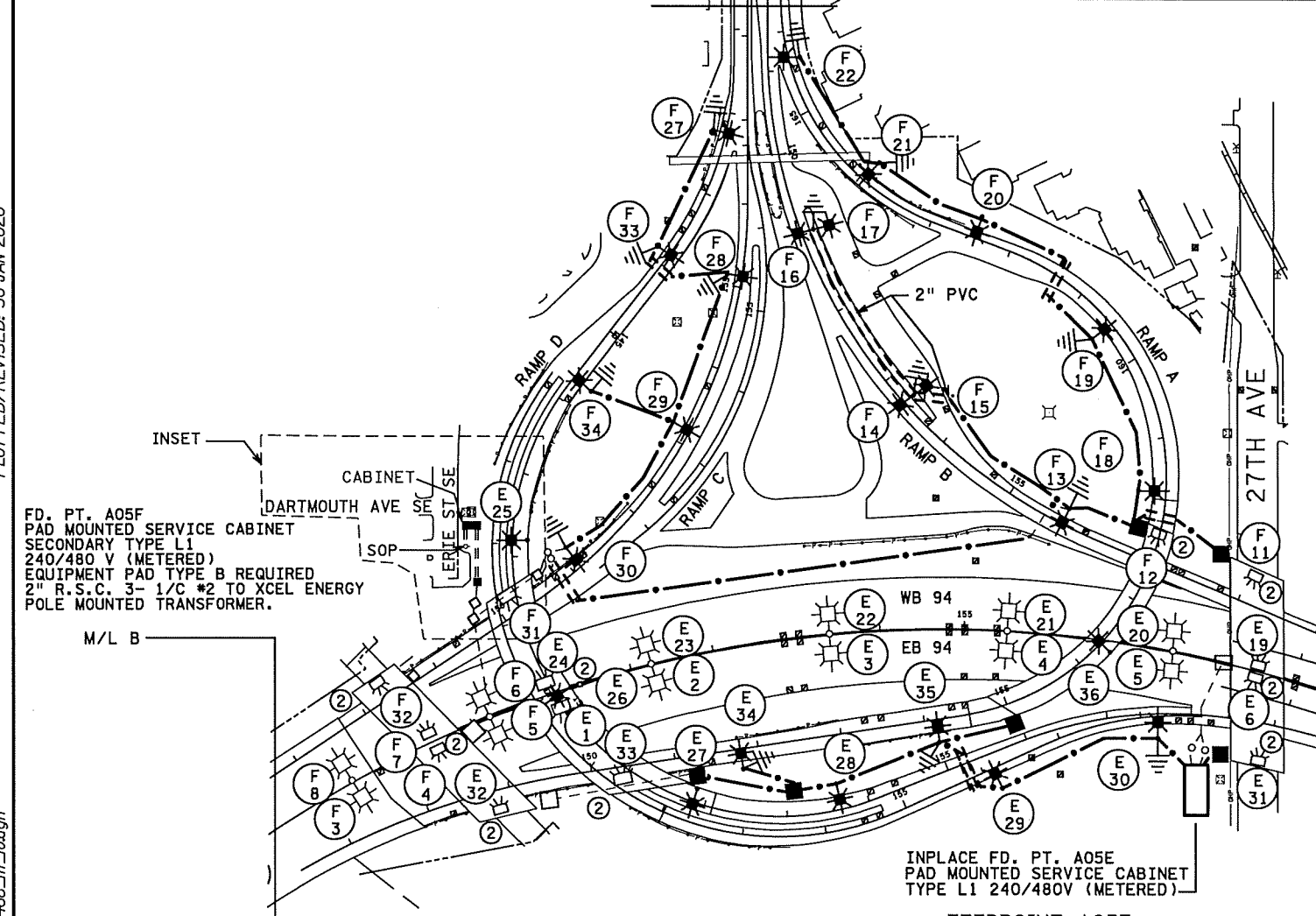
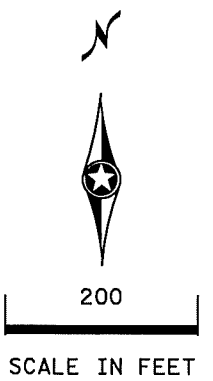


PLOTTED/REVISED: 30-JAN-2020

DISTRICT: Metro  
 IPLOT NAME: 12781-468\_111\_10  
 PATH & FILENAME: Projects\DM ROS\09A2781\Lighting\2781-468\_111\_10.dgn

### LEGEND

- PAD MOUNTED FD. PT. CABINET 240/480 VOLT HANDHOLE
- LIGHTING UNIT
- LIGHTING UNIT IDENTIFIER
- DIRECT BURIED LIGHTING CABLE 4/C 4 AWG
- 3" PVC DIRECTIONAL BORED (UNLESS OTHERWISE NOTED)
- PERMANENT GROUND ROD (25 OHMS OR LESS)
- INPLACE DIRECT BURIED LIGHTING CABLE 4/C 4 AWG
- INPLACE CONDUIT.
- INPLACE FD. PT. CABINET
- INPLACE LIGHTING UNIT
- INPLACE LIGHTING UNIT
- INPLACE UNDERPASS LIGHTS
- INPLACE HANDHOLE



FD. PT. A05F  
 PAD MOUNTED SERVICE CABINET  
 SECONDARY TYPE L1  
 240/480 V (METERED)  
 EQUIPMENT PAD TYPE B REQUIRED  
 2" R.S.C. 3- 1/C #2 TO XCEL ENERGY  
 POLE MOUNTED TRANSFORMER.

**SPECIFIC NOTES:**  
 ① INSTALL SALVAGED CABINET A5F ON NEW EQUIPMENT, PAD  
 ② F&I CONDUIT & J BOXES TO INPLACE UNDERPASS LIGHT. RECONNECT WIRES.

INPLACE FD. PT. A05E  
 PAD MOUNTED SERVICE CABINET  
 TYPE L1 240/480V (METERED)

#### FEEDPOINT A05F LIGHTING UNITS LOCATION TYPES

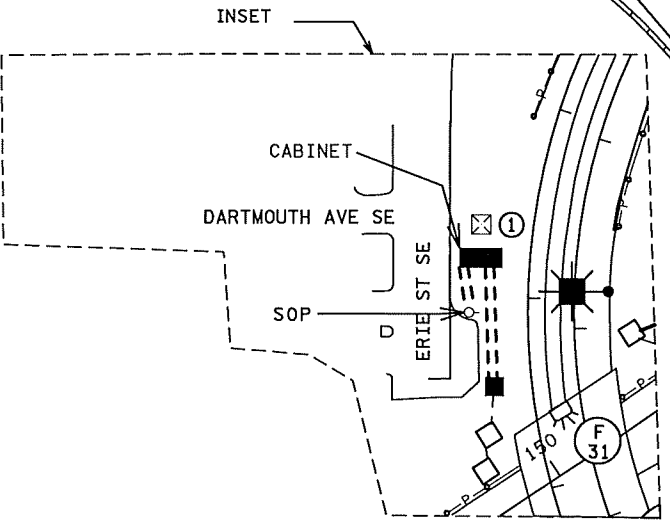
NO.	STA.	LT.	RT.	LOCATION	TYPE	FOUNDATION
3				MEDIAN		
8	INPLACE			BARRIER		
4	INPLACE				L	
7	INPLACE				L	
5	INPLACE			MEDIAN		
6				BARRIER		
11	INPLACE				L	
12	INPLACE				L	
13	155+66				9-40	E
14	150+98			CONCRETE MEADIAN	6D-40	E
16	153+34			CONCRETE MEADIAN	6D-40	
18	158+35	x		RAMP A	9-40	
19	160+51	x		RAMP A	9-40	
20	162+44		x	RAMP A	9-40	
21	163+96		x	RAMP A	9-40	
22	165+71		x	RAMP A	9-40	
27	142+24	x	x	RAMP D	9-40	
28	155+13	x		RAMP C	9-40	
29	153+17	x		RAMP C	9-40	
30	151+12	x		RAMP C	9-40	E
31	INPLACE				L	
32	INPLACE				L	
33	146+13	x		RAMP D	9-40	E
34	144+30	x		RAMP D	9-40	E

#### FEEDPOINT A05E LIGHTING UNIT LOCATION AND TYPE

NO.	STATION	LT.	RT.	LOCATION	TYPE	FOUNDATION
25	147+77		x	BARRIER	6B-40	EXISTING
26	149+77			BARRIER	6B-40	EXISTING
27	151+86	x		BARRIER	6B-40	EXISTING
28	153+66	x		RAMP D	9-40	E
29	155+52		x	RAMP D	9-40	E
30	157+60		x	RAMP D	9-40	E
31	INPLACE				L	
32	INPLACE				L	
33	INPLACE				L	
34	151+79	x		RAMP A	9-40	E
35	154+14	x		RAMP A	9-40	E
36	156+35	x		RAMP A	6B-40	EXISTING

#### FEEDPOINT A05E LIGHTING UNIT LOCATION AND TYPE

NO.	STATION	LT.	RT.	LOCATION	TYPE	FOUNDATION
1	INPLACE				L	
24					L	
23				MEDIAN BARRIER	6BD-49	
2						
22					6BD-49	
3						
21					6BD-49	
4						
20				MEDIAN BARRIER	6BD-49	
5						
19	INPLACE				L	
6	INPLACE				L	
18				MEDIAN BARRIER	6BD-49	
7						
17						
8						
16						
9						
15						
10						
14						
11						
13				MEDIAN BARRIER	6BD-49	
12	INPLACE				L	



**FEEDPOINT: A05E LOCATION: 27TH AVE. SE**  
**METER ADDRESS: 49 27TH AVE. SE, S MINNEAPOLIS 55414**  
**FEEDPOINT: A05E LOCATION: HURON BLVD.**  
**METER ADDRESS: 910 ERIE ST. SE, MINNEAPOLIS 55414**

FEEDPOINT A05E, A05F

## LIGHTING PLAN

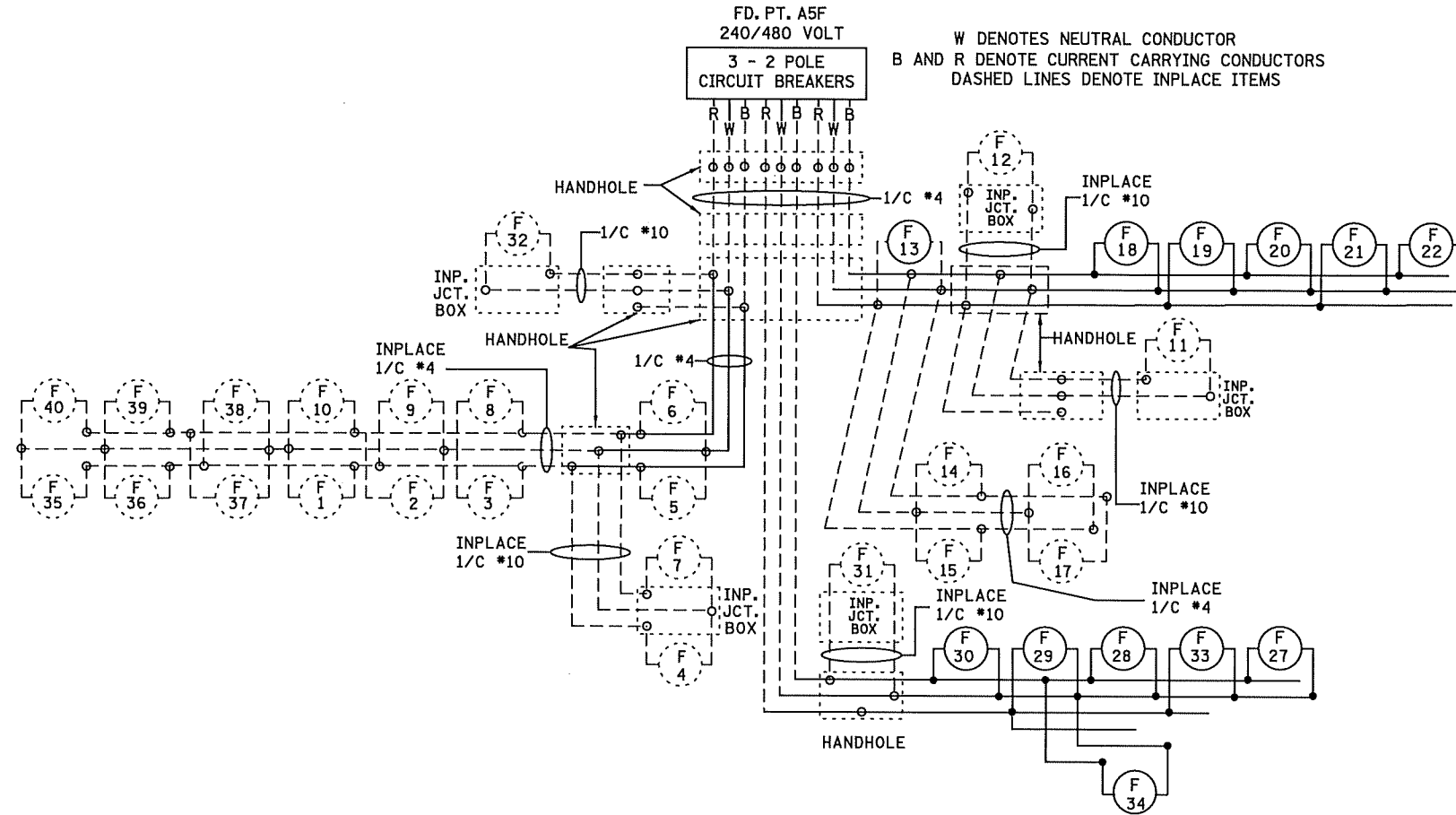
BY	DATE	REVISIONS

DRAWN BY: HL CKD BY: PB

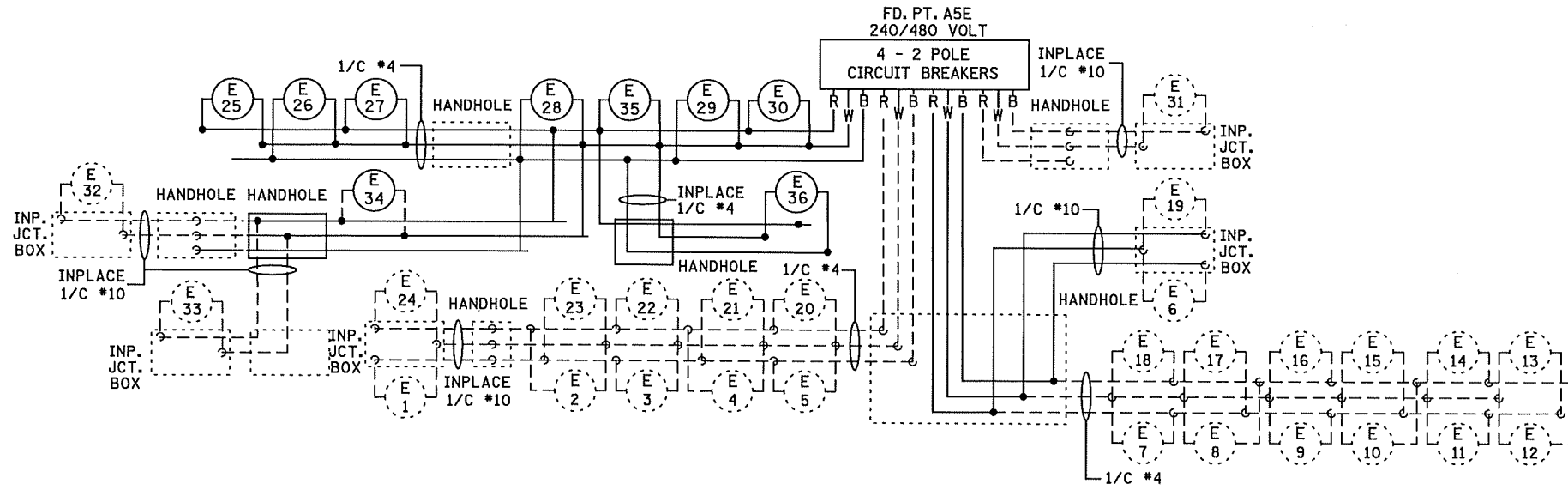
CERTIFIED BY Michael P. Lubinsky LIC. NO. 19863 DATE: 30-JAN-2020  
LICENSED PROFESSIONAL ENGINEER

PLOTTED/REVISED: 30-JAN-2020

DISTRICT #: Metro  
 PLOT NAME: 12781-468\_Lit\_10  
 PATH & FILENAME: Projects\DM\_R05\09-2781\468\Traffic\Lighting\12781-468\_Lit\_10.dgn



W DENOTES NEUTRAL CONDUCTOR  
 B AND R DENOTE CURRENT CARRYING CONDUCTORS  
 DASHED LINES DENOTE INPLACE ITEMS



FEEDPOINT : A05E LOCATION: 27TH AVE. SE  
 METER ADDRESS: 49 27TH AVE. SE, S MINNEAPOLIS 55414  
 FEEDPOINT: A05E LOCATION: HURON BLVD.  
 METER ADDRESS: 910 ERIE ST. SE, MINNEAPOLIS 55414

FEEDPOINT A05E, A05F

BY	DATE	REVISIONS

CERTIFIED BY Michael P. Gubensky LIC. NO. 19863 DATE: 30-JAN-2020  
LICENSED PROFESSIONAL ENGINEER

## LIGHTING PLAN

STATE PROJ. NO. 2781-468 (T.H. 94) SHEET NO. SL12 OF SL12 SHEETS

DRAWN BY: HL CKD BY: PB