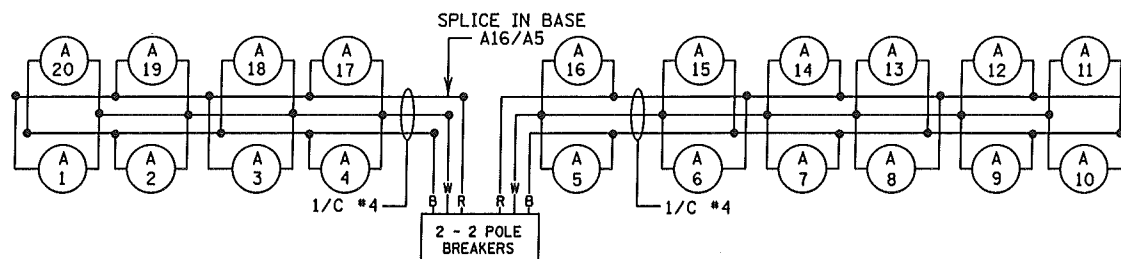
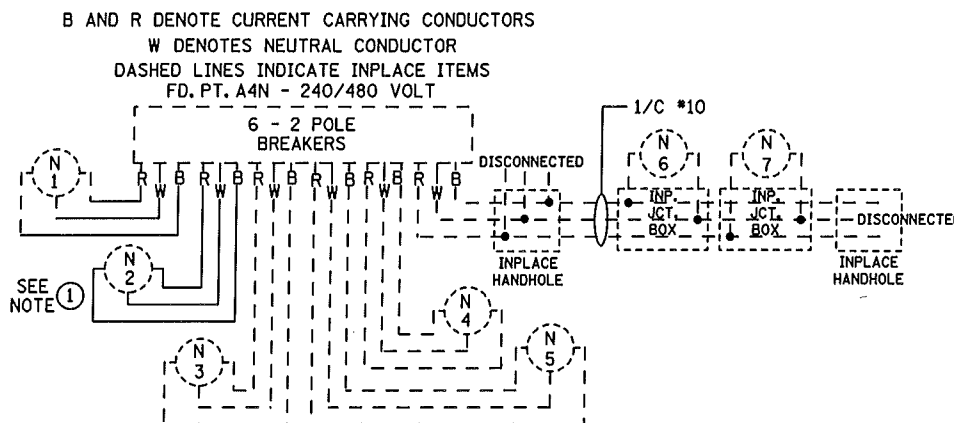


SEE LEGEND SHEET 435



FD. PT. A5A 240/480 VOLT
 W DENOTES NEUTRAL CONDUCTOR
 B AND R DENOTE CURRENT CARRYING CONDUCTORS
 DASHED LINES INDICATE INPLACE ITEMS



B AND R DENOTE CURRENT CARRYING CONDUCTORS
 W DENOTES NEUTRAL CONDUCTOR
 DASHED LINES INDICATE INPLACE ITEMS
 FD. PT. A4N - 240/480 VOLT



SERVICE CABINET SECONDARY TYPE L1
 240/480 VOLT (METERED) FD. PD. A5A
 2" R.S.C. & 3-1/C #2 AND WEATHERHEAD
 TO XCEL ENERGY POLE AND TRANSFORMER
 EQUIPMENT PAD B REQUIRED

INP. FD PT. A4N
 CABINET TYPE L2
 240/480 VOLT
 F&I 6 - 2 POLE
 BREAKERS

PLOTTED/REVISED: 3/7/2012

FEEDPOINT A5A

LIGHTING STANDARDS AND BASES					
NO.	STA.	ALI	LOCATION	TYPE	WATTAGE
20	175+50	TH94	MEDIAN BARRIER	9BD-49	400
1					
19	178+10				
2					
18	180+70				
3					
17	183+45				
4					
16	185+85				
5					
15	188+40				
6					
14	191+00				
7					
13	193+50				
8					
12	196+10				
9					
11	198+31	TH94	MEDIAN BARRIER	9BD-49	400
10					

FEEDPOINT A4N

LIGHTING STANDARDS AND BASES					
NO.	STA.	ALI	LOCATION	TYPE	WATTAGE
1			INPLACE	4-120	1000
2	207+35	EB TH94	SEE NOTE	3-100	
3			INPLACE	4-120	
4-5			INPLACE	3-100	1000
6-7			INPLACE	L	250

① PLACE SALVAGED TOWER
 LOCATE 80' LEFT OF C L394EB
 F & I TOWER BASE T-100

FEEDPOINT: A5A LOCATION: EB 94 AT PED BRIDGE
 METER ADDRESS: 1633 TH94 SE, MINNEAPOLIS 55414
 FEEDPOINT: A4N LOCATION: EUSTIS
 METER ADDRESS: 2505 WABASHA Ave., St. Paul 55114

AS-BUILT 3/2012

FEEDPOINTS A5A, A4N

LIGHTING PLAN

BY	DATE	REVISIONS
EK	3/2012	3" BORE TO A4/17

CERTIFIED BY *Michael P. Guberny* L.I.C. NO. 19863 DATE: 3/7/2012

DISTRICT #: METRO
 PLOT NAME: 1278145_JITAB
 PATH & FILENAME: IP_PWP-00692145V2781415_JITAB.dgn

PAD MOUNTED SOURCE OF POWER
 SERVICE PANEL SECONDARY TYPE L2
 FD. PT. A4N 240/480 V. (METERED)
 F.&I. 3-1/C NO. 3/0
 TO TRANSFORMER ON N.S.P.P.
 EQUIPMENT PAD B REQUIRED

INP. 2" R.C.S.

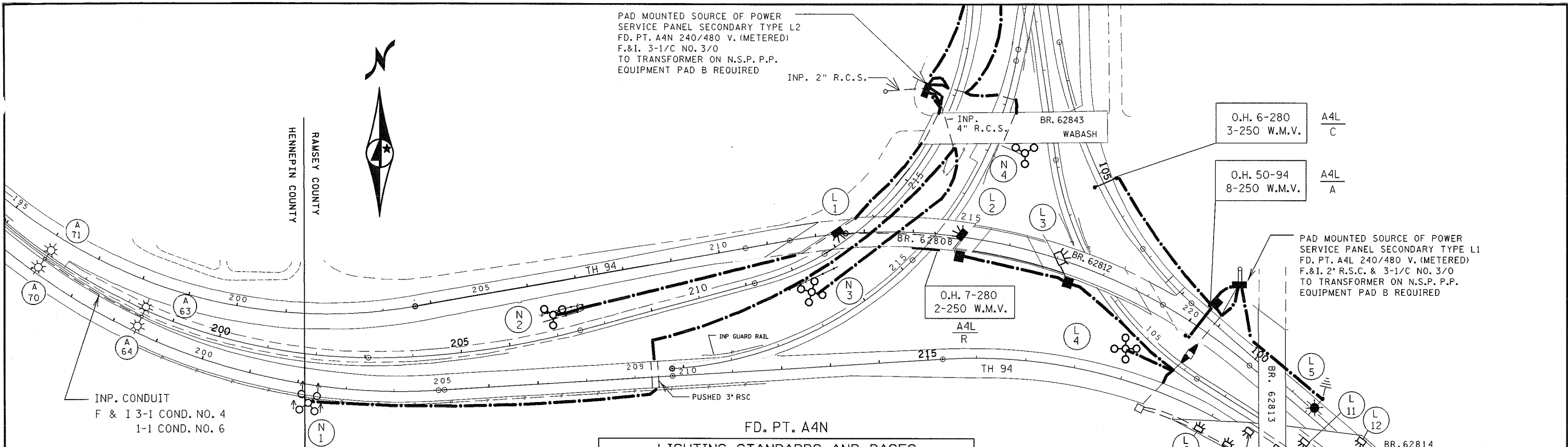
INP. 4" R.C.S.

BR. 62843
 WABASH

O.H. 6-280
 3-250 W.M.V. A4L
 C

O.H. 50-94
 8-250 W.M.V. A4L
 A

PAD MOUNTED SOURCE OF POWER
 SERVICE PANEL SECONDARY TYPE L1
 FD. PT. A4L 240/480 V. (METERED)
 F.&I. 2" R.S.C. & 3-1/C NO. 3/0
 TO TRANSFORMER ON N.S.P.P.
 EQUIPMENT PAD B REQUIRED



INP. CONDUIT
 F & I 3-1 COND. NO. 4
 1-1 COND. NO. 6

FD. PT. A4N

LIGHTING STANDARDS AND BASES

NO.	STATION	LT.	RT.	LOCATION	TYPE
(1)	1	202+26	-	TH 94 E.B.	4-120
(2)	2	206+42	-	TH 94 W.B.	3-100
(2)	3	213+12	-	TH 280 N.B.	4-120
(2)	4	218+17	-	TH 280 N.B.	3-100
(2)	5	221+37	-	L ¹¹	3-100
	6	112+11	-	L ¹¹	L
	7	114+64	-	L ¹²	L

(1) ASYMETRIC LUMINAIRES
 (2) SYMETRICAL LUMINAIRES

FD. PT. A4L

LIGHTING STANDARDS AND BASES

NO.	STATION	LT.	RT.	LOCATION	TYPE
	1	213+20	-	L ²	L
	2	216+30	-	TH 280 N.B.	L
	3	106+90	-	L ⁹	L
(2)	4	218+89	-	TH 94	4-120
	5	223+15	-	TH 94	12-40
*	6	INP.	-	TH 94	L
*	7		-	TH 94	L
*	8		-	TH 94	L
*	9		-	TH 94	L
*	10		-	L ⁹	L
*	11		-	L ⁹	L
*	12		-	TH 94	L
*	13		-	TH 94	L

(1) ASYMETRIC LUMINAIRES
 (2) SYMETRICAL LUMINAIRES

* RENUMBERED LIGHT

CONSTRUCTION NOTES

- (1) DO NOT CONNECT OVERHEAD SIGNS UNLESS SHOWN ON WIRING DIAGRAM
- (2) ABANDON ALL INPLACE CABLE, BUT REMOVE FROM CONDUIT BEING REUSED

LEGEND

- 1000 WATT HIGH PRESSURE SODIUM HIGH MAST LIGHTING UNIT WITH 3 LUMINAIRES
- 1000 WATT HIGH PRESSURE SODIUM HIGH MAST LIGHTING UNIT WITH 4 LUMINAIRES
- 250 WATT HIGH PRESSURE SODIUM UNDERPASS LIGHTING UNIT
- INPLACE UNDERPASS LIGHTING UNIT
- 200 WATT HIGH PRESSURE SODIUM LIGHTING UNIT
- PAD MOUNTED SOURCE OF POWER (240/480 V.)
- PULL BOX
- INPLACE PULL BOX
- DIRECT BURIED POWER CABLE 3 CONDUCTOR NO. 4 AWG ARMORED CABLE SPEC. NO. 3804 & 3805
- 3" RIGID STEEL CONDUIT EXCEPT AS NOTED OTHERWISE
- INPLACE RIGID STEEL CONDUIT
- PERMANENT GROUND ROD (25 OHMS OR LESS)
- INPLACE OVERHEAD SIGN

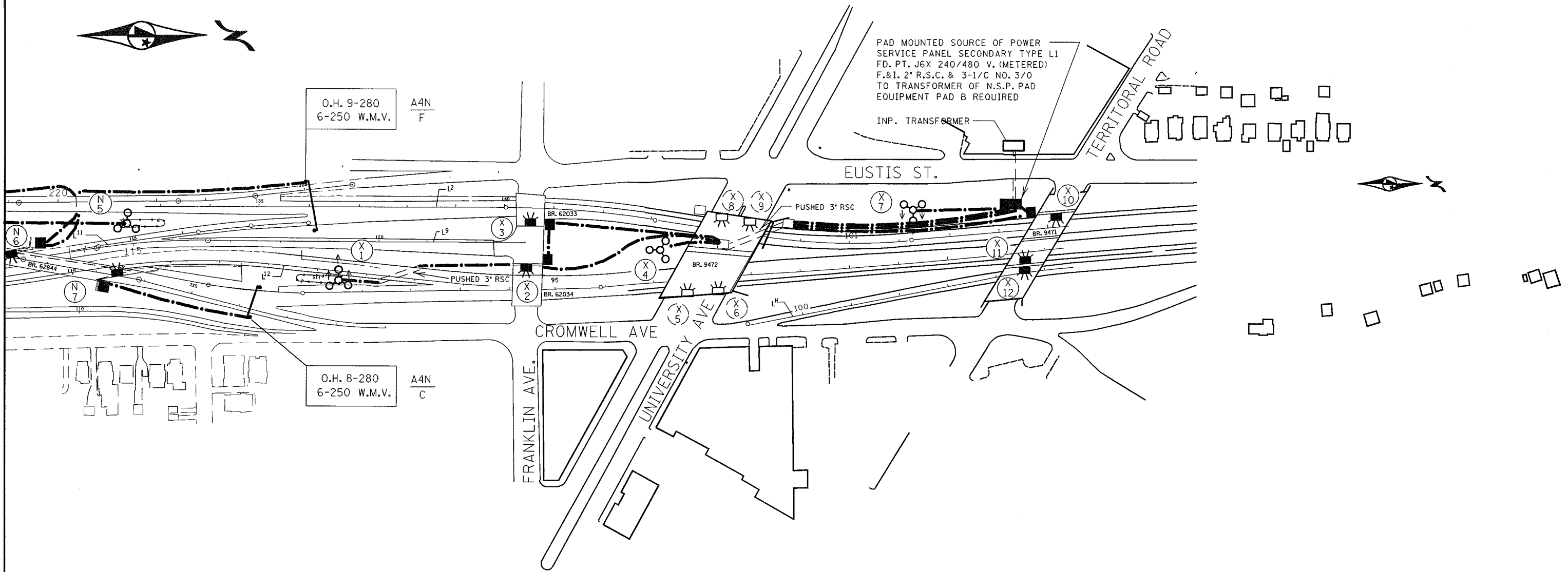
LIGHTING PLAN

CERTIFIED BY *Susan J. Ledall* PROFESSIONAL ENGINEER

REG. NO. 21180

State Proj. No. 6282-183 (TH 94)

Sheet No. 18R of 32 Sheets



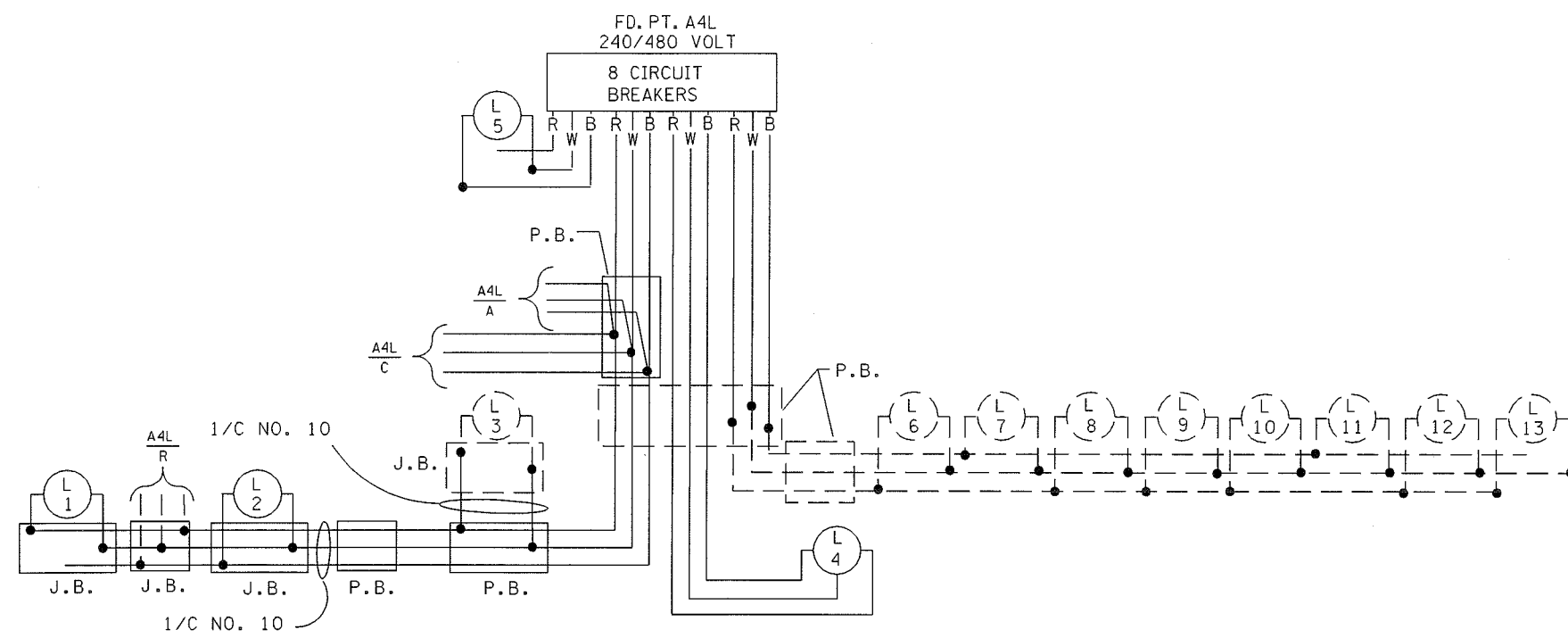
FD. PT. J6X

LIGHTING STANDARDS AND BASES

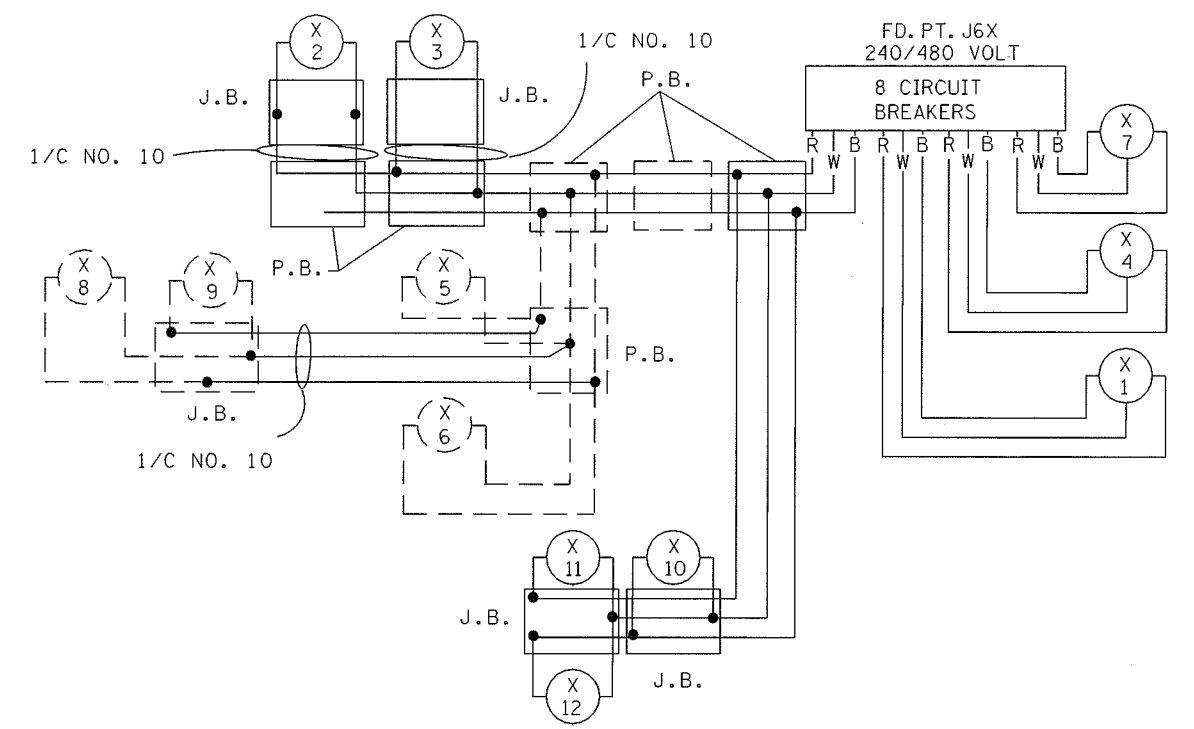
	NO.	STATION	LT.	RT.	LOCATION	TYPE
(1)	1	116+53	-		RAMP L ¹²	3-100
	2	94+35	-		N.B. TH 280	L
	3	140+54		-	S.B. TH 280	L
(2)	4	97+17	-		N.B. TH 280	3-100
*	5	INP.		-	N.B. TH 280	L
*	6	INP.		-	N.B. TH 280	L
(1)	7	102+34	-		S.B. TH 280	3-100
*	8	INP.	-		S.B. TH 280	L
*	9	INP.	-		S.B. TH 280	L
	10	105+17	-		S.B. TH 280	L
	11	104+59		-	N.B. TH 280	L
	12	104+59	-		RAMP L ^H	L

- (1) ASYMETRIC LUMINAIRES
- (2) SYMETRICAL LUMINAIRES
- * RENUMBERED LIGHT

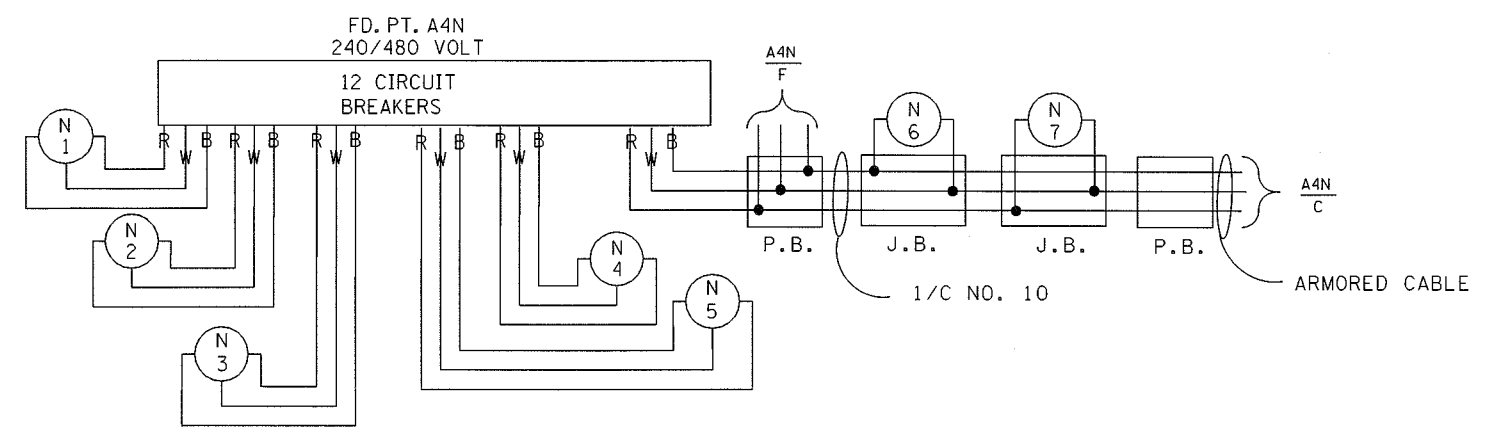
LIGHTING PLAN



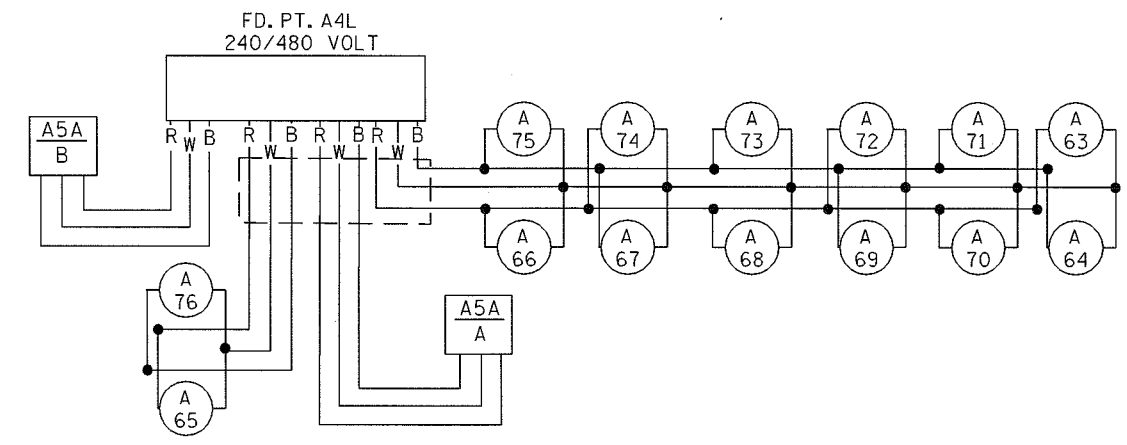
B AND R DENOTE CURRENT CARRYING CONDUCTORS
W DENOTES NEUTRAL CONDUCTOR



B AND R DENOTE CURRENT CARRYING CONDUCTORS
W DENOTES NEUTRAL CONDUCTOR



B AND R DENOTE CURRENT CARRYING CONDUCTORS
W DENOTES NEUTRAL CONDUCTOR



WIRING DETAIL