

PAD MOUNTED SOURCE OF POWER  
 SERVICE PANEL SECONDARY TYPE L2  
 FD. PT. A4N 240/480 V. (METERED)  
 F.&I. 3-1/C NO. 3/0  
 TO TRANSFORMER ON N.S.P.P.  
 EQUIPMENT PAD B REQUIRED

INP. 2" R.C.S.

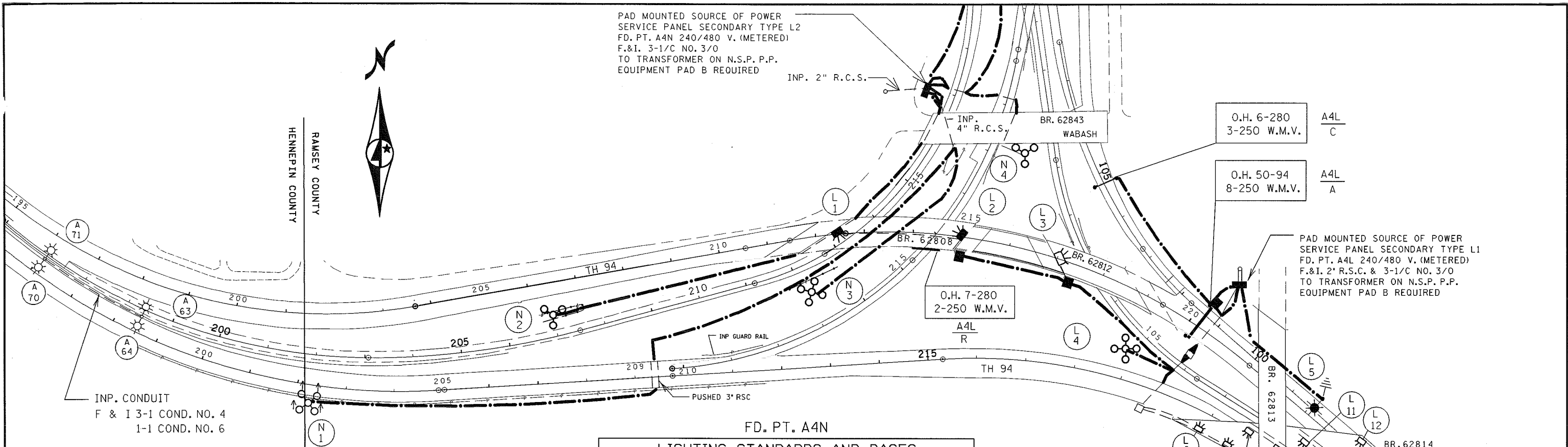
INP. 4" R.C.S.

BR. 62843  
 WABASH

O.H. 6-280  
 3-250 W.M.V. A4L  
 C

O.H. 50-94  
 8-250 W.M.V. A4L  
 A

PAD MOUNTED SOURCE OF POWER  
 SERVICE PANEL SECONDARY TYPE L1  
 FD. PT. A4L 240/480 V. (METERED)  
 F.&I. 2" R.S.C. & 3-1/C NO. 3/0  
 TO TRANSFORMER ON N.S.P.P.  
 EQUIPMENT PAD B REQUIRED



INP. CONDUIT  
 F & I 3-1 COND. NO. 4  
 1-1 COND. NO. 6

FD. PT. A4N

LIGHTING STANDARDS AND BASES

NO.	STATION	LT.	RT.	LOCATION	TYPE
(1)	1	202+26	-	TH 94 E.B.	4-120
(2)	2	206+42	-	TH 94 W.B.	3-100
(2)	3	213+12	-	TH 280 N.B.	4-120
(2)	4	218+17	-	TH 280 N.B.	3-100
(2)	5	221+37	-	L <sup>11</sup>	3-100
	6	112+11	-	L <sup>11</sup>	L
	7	114+64	-	L <sup>12</sup>	L

(1) ASYMETRIC LUMINAIRES  
 (2) SYMETRICAL LUMINAIRES

FD. PT. A4L

LIGHTING STANDARDS AND BASES

NO.	STATION	LT.	RT.	LOCATION	TYPE
	1	213+20	-	L <sup>2</sup>	L
	2	216+30	-	TH 280 N.B.	L
	3	106+90	-	L <sup>9</sup>	L
(2)	4	218+89	-	TH 94	4-120
	5	223+15	-	TH 94	12-40
*	6	INP.	-	TH 94	L
*	7		-	TH 94	L
*	8		-	TH 94	L
*	9		-	TH 94	L
*	10		-	L <sup>9</sup>	L
*	11		-	L <sup>9</sup>	L
*	12		-	TH 94	L
*	13		-	TH 94	L

(1) ASYMETRIC LUMINAIRES  
 (2) SYMETRICAL LUMINAIRES  
 \* RENUMBERED LIGHT

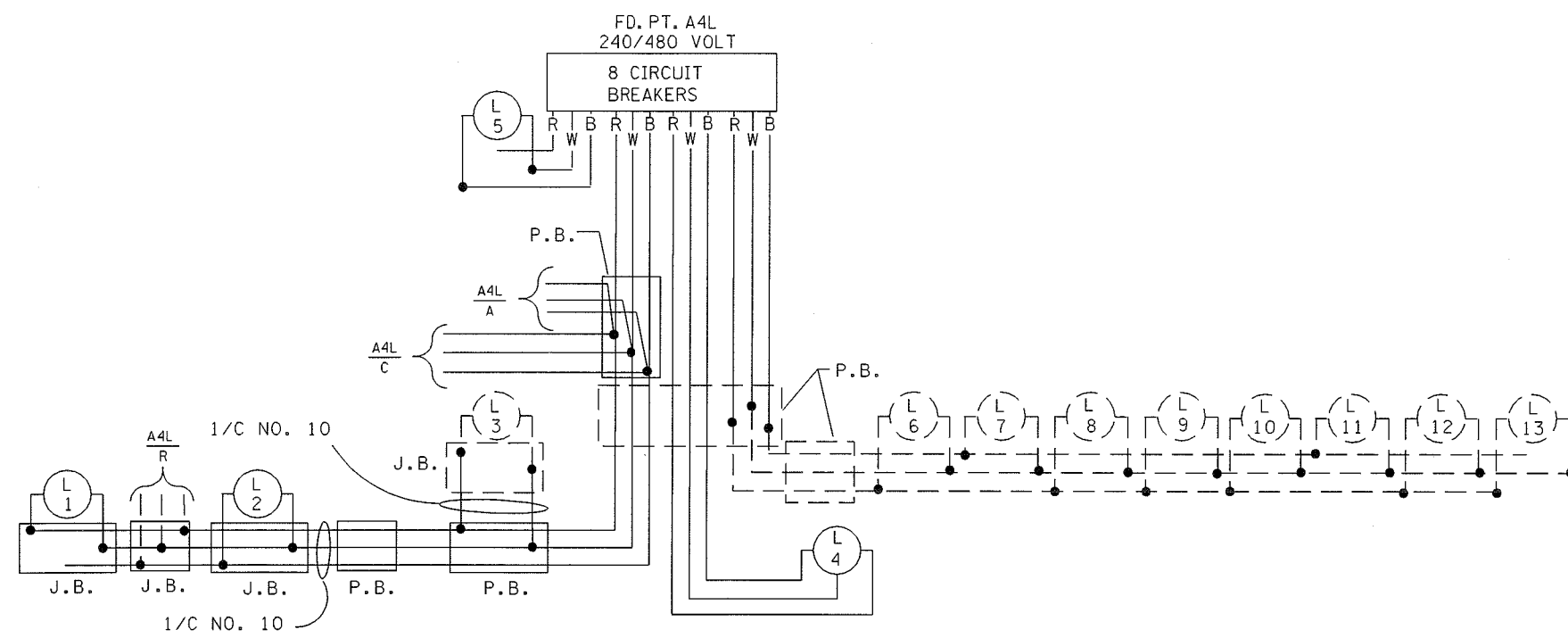
LEGEND

- 1000 WATT HIGH PRESSURE SODIUM HIGH MAST LIGHTING UNIT WITH 3 LUMINAIRES
- 1000 WATT HIGH PRESSURE SODIUM HIGH MAST LIGHTING UNIT WITH 4 LUMINAIRES
- 250 WATT HIGH PRESSURE SODIUM UNDERPASS LIGHTING UNIT
- INPLACE UNDERPASS LIGHTING UNIT
- 200 WATT HIGH PRESSURE SODIUM LIGHTING UNIT
- PAD MOUNTED SOURCE OF POWER (240/480 V.)
- PULL BOX
- INPLACE PULL BOX
- DIRECT BURIED POWER CABLE 3 CONDUCTOR NO. 4 AWG ARMORED CABLE SPEC. NO. 3804 & 3805
- 3" RIGID STEEL CONDUIT EXCEPT AS NOTED OTHERWISE
- INPLACE RIGID STEEL CONDUIT
- PERMANENT GROUND ROD (25 OHMS OR LESS)
- INPLACE OVERHEAD SIGN

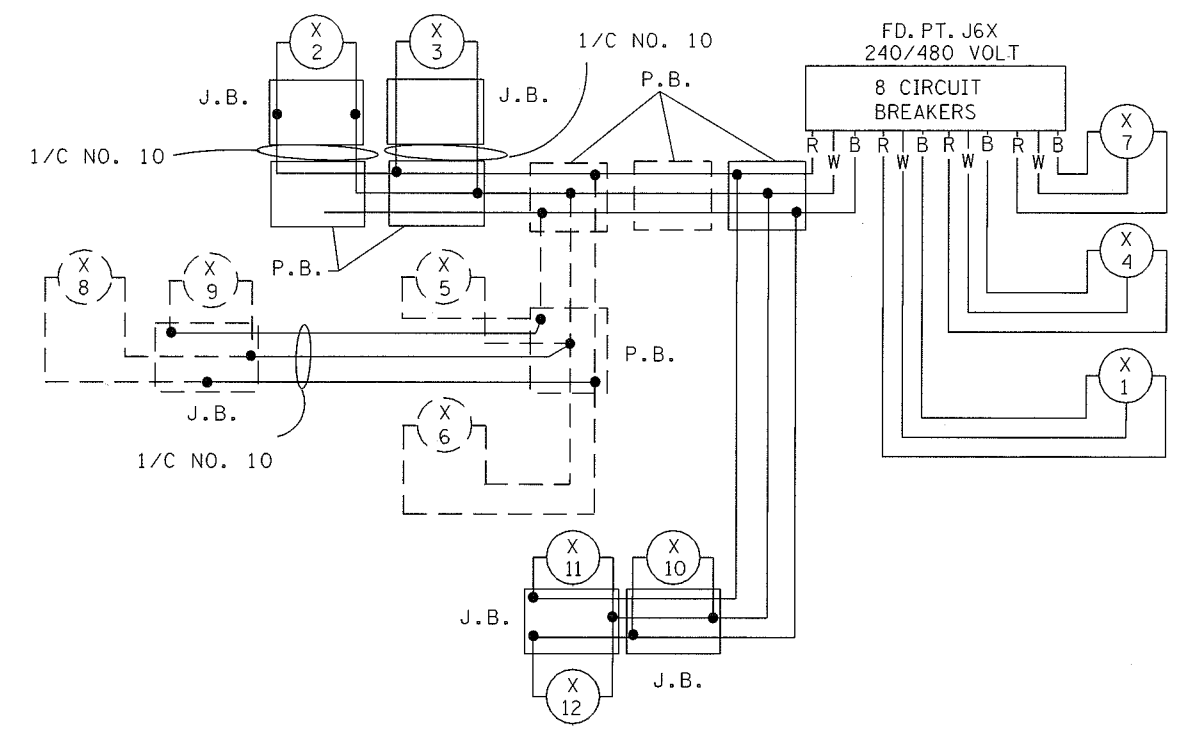
CONSTRUCTION NOTES

- (1) DO NOT CONNECT OVERHEAD SIGNS UNLESS SHOWN ON WIRING DIAGRAM
- (2) ABANDON ALL INPLACE CABLE, BUT REMOVE FROM CONDUIT BEING REUSED

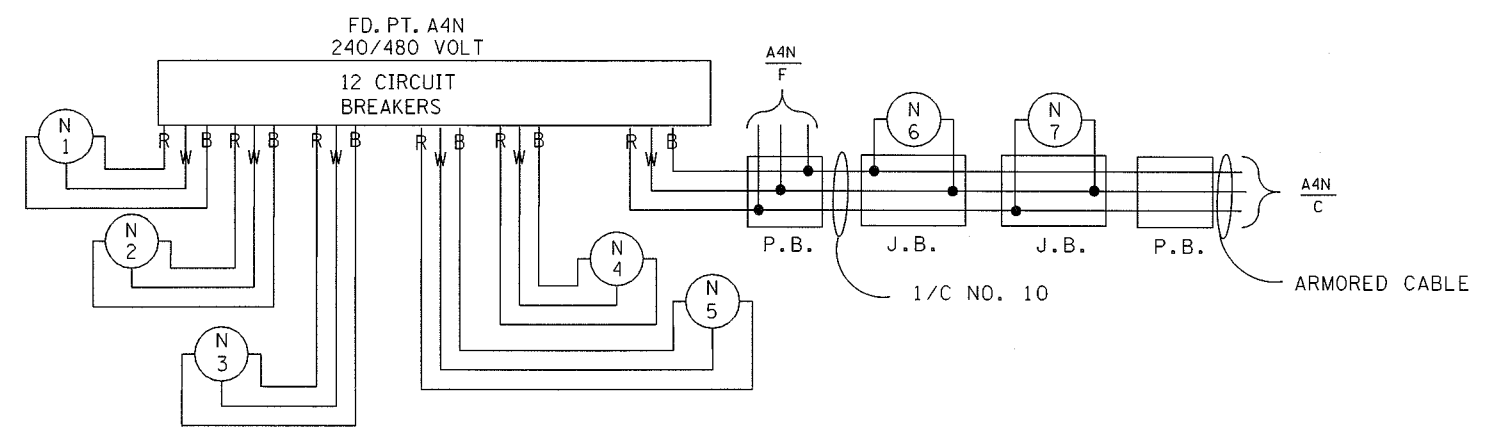
LIGHTING PLAN



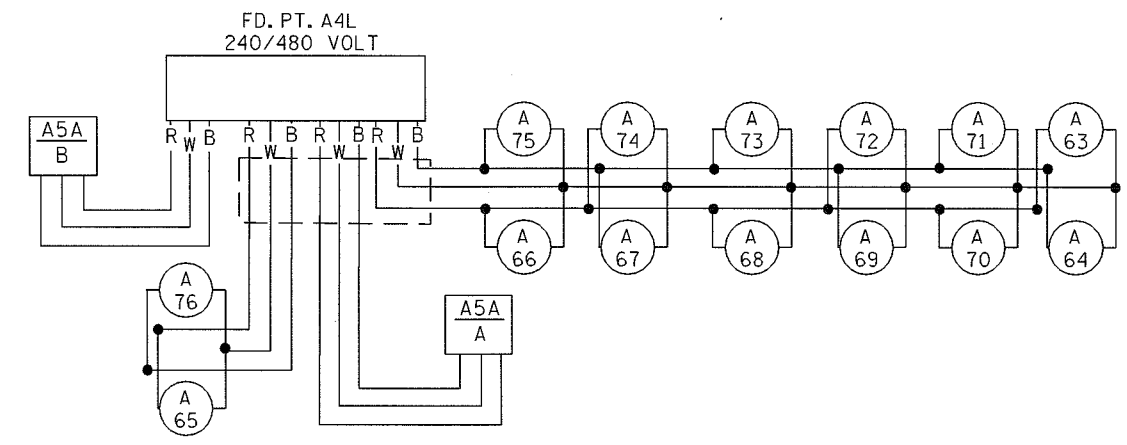
B AND R DENOTE CURRENT CARRYING CONDUCTORS  
W DENOTES NEUTRAL CONDUCTOR



B AND R DENOTE CURRENT CARRYING CONDUCTORS  
W DENOTES NEUTRAL CONDUCTOR



B AND R DENOTE CURRENT CARRYING CONDUCTORS  
W DENOTES NEUTRAL CONDUCTOR



# WIRING DETAIL