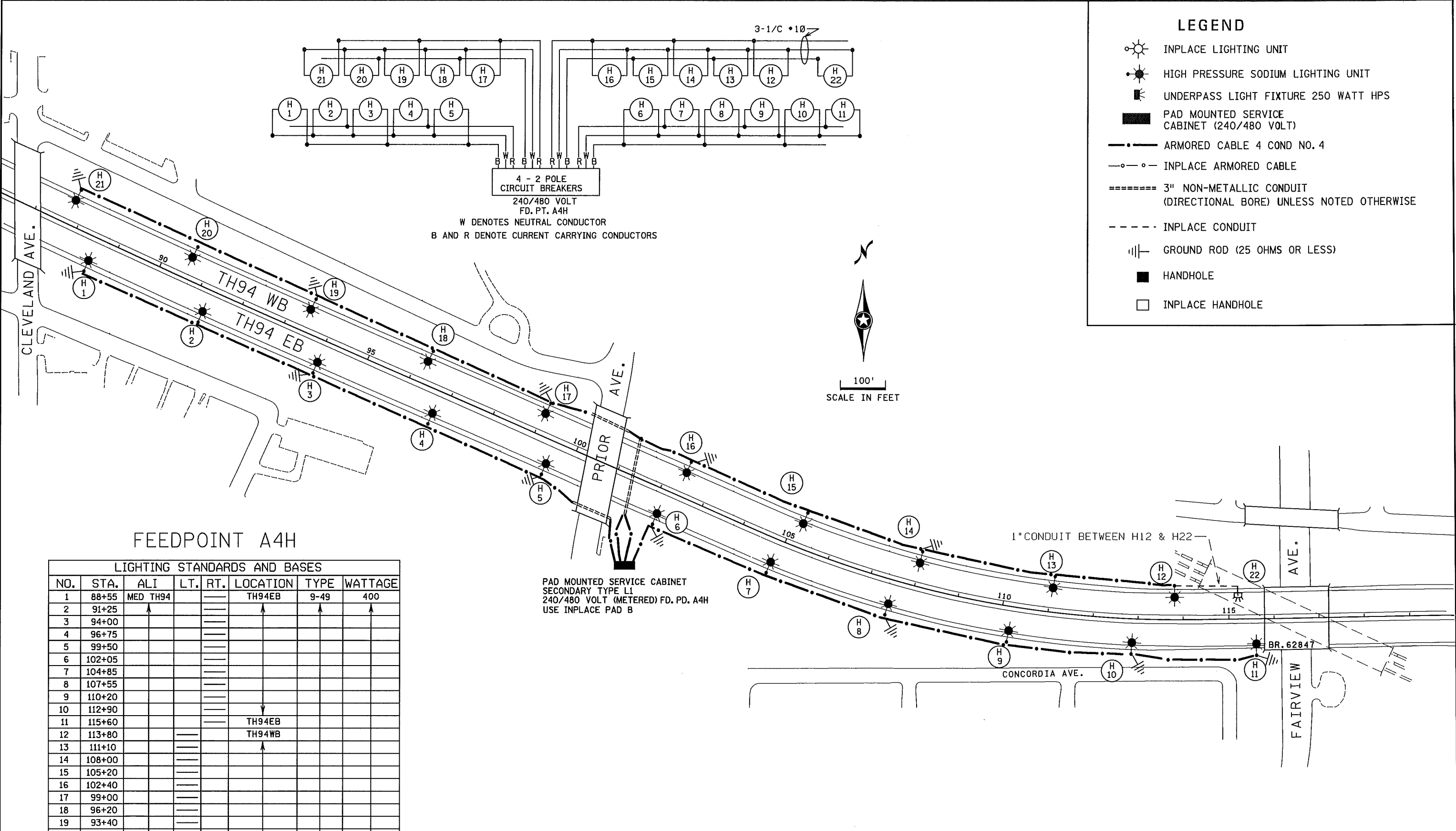
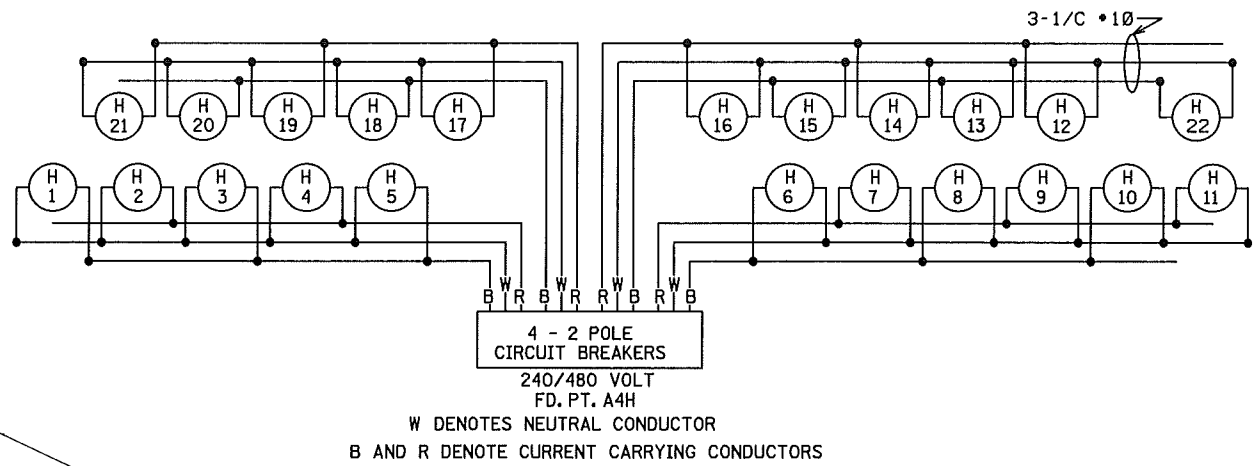


PLOTTED/REVISED: 10/26/2010

DISTRICT #: METRO
 IPLOT NAME: 6282187_01.tifAB
 PATH & FILENAME: IP_PWP-dll36803.6282187_01.tifAB.dgn

LEGEND

- INPLACE LIGHTING UNIT
- HIGH PRESSURE SODIUM LIGHTING UNIT
- UNDERPASS LIGHT FIXTURE 250 WATT HPS
- PAD MOUNTED SERVICE CABINET (240/480 VOLT)
- ARMORED CABLE 4 COND NO. 4
- INPLACE ARMORED CABLE
- 3" NON-METALLIC CONDUIT (DIRECTIONAL BORE) UNLESS NOTED OTHERWISE
- INPLACE CONDUIT
- GROUND ROD (25 OHMS OR LESS)
- HANDHOLE
- INPLACE HANDHOLE



FEEDPOINT A4H

LIGHTING STANDARDS AND BASES						
NO.	STA.	ALI	LT.	RT.	LOCATION	WATTAGE
1	88+55	MED TH94			TH94EB	400
2	91+25					
3	94+00					
4	96+75					
5	99+50					
6	102+05					
7	104+85					
8	107+55					
9	110+20					
10	112+90					
11	115+60				TH94EB	
12	113+80				TH94WB	
13	111+10					
14	108+00					
15	105+20					
16	102+40					
17	99+00					
18	96+20					
19	93+40					
20	90+60					
21	87+70	MED TH94			TH94WB	400
22	115+30	MED TH94			TH94WB	250

PAD MOUNTED SERVICE CABINET
 SECONDARY TYPE L1
 240/480 VOLT (METERED) FD. PD. A4H
 USE INPLACE PAD B

AS-BUILT 2010

FEEDPOINT A4H

BY	DATE	REVISIONS	SYSTEM ID: FEEDPOINT: A4H	T.E.	LOCATION: TH94 at PRIOR AVE.	LIGHTING PLAN
EK	08/2010	ADD WALLPACK H22 UNDER RR BRIDGE	METER ADDRESS: 370 PRIOR AVE. N. St. PAUL 55104			
DRAWN BY: NS CKD BY: GB DATE:			CERTIFIED BY: <i>Michael P. Gubensky</i> LIC. NO. 19863 DATE: 10/26/2010		STATE PROJ. NO. 6282-187 (T.H.94)	SHEET NO. 202 OF 294 SHEETS