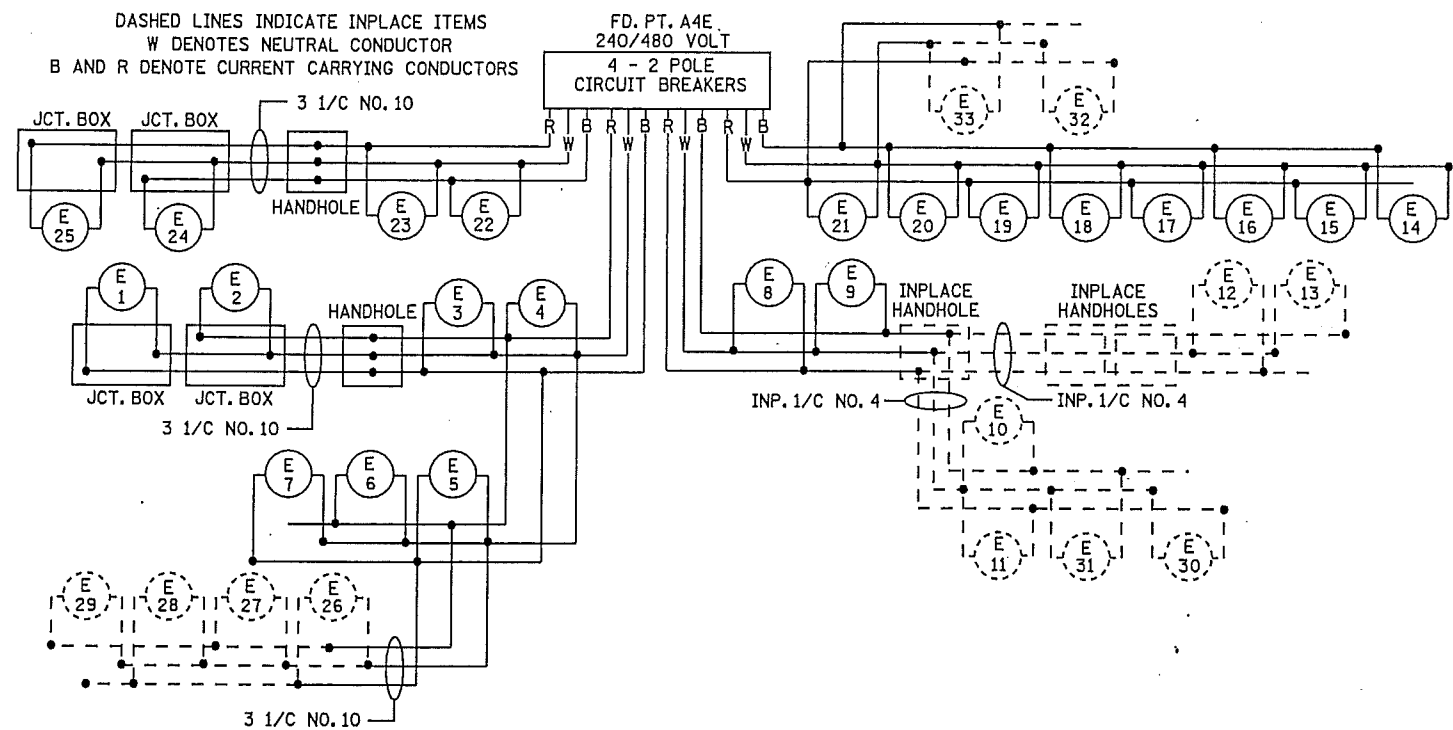


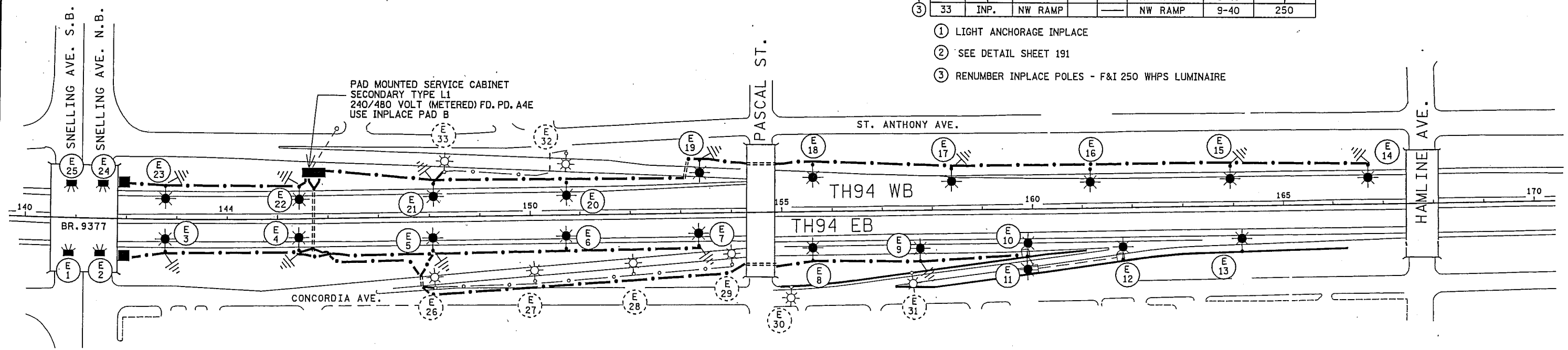
SEE LEGEND SHEET 202

FEEDPOINT A4E



LIGHTING STANDARDS AND BASES						
NO.	STA.	ALI	LT.	RT.	LOCATION	WATTAGE
1	140+90	MED TH94			TH94EB	250
2	141+50					250
3	142+80					400
4	145+40					
5	148+05					
6	150+70					
7	153+35					
8	155+60					
9	157+75					
10	159+90					400
11					9DB-49	250
12	161+80				9B-49	400
13	164+15				TH94EB	
14	166+70				TH94WB	
15	163+95					
16	161+15					
17	158+40					
18	155+60					
19	153+40					
20	150+75					
21	148+10					
22	145+45					
23	142+75					400
24	141+50					250
25	140+90	MED TH94			TH94WB	
26	INP.	SW RAMP			SW RAMP	
27						
28						
29		SW RAMP			SW RAMP	
30		HOV RAMP			HOV RAMP	
31		HOV RAMP			HOV RAMP	
32		NW RAMP			NW RAMP	
33	INP.	NW RAMP			NW RAMP	250

- ① LIGHT ANCHORAGE INPLACE
- ② SEE DETAIL SHEET 191
- ③ RENUMBER INPLACE POLES - F&I 250 WHPS LUMINAIRE



FEEDPOINT A4E

LIGHTING PLAN

BY	DATE	REVISIONS	SYSTEM ID: FEEDPOINT: A4E T.E.	LOCATION: TH94 at SNELLING AVE
			METER ADDRESS: 1559 St. ANTHONY AVE. St. PAUL 55014	
DRAWN BY: NS	CKD BY: GB	DATE:	CERTIFIED BY: <i>Michael P. Gubinsky</i> LIC. NO. 19863 DATE: 12/1/2009	STATE PROJ. NO. 6282-187 (T.H.94) SHEET NO. 204 OF 294 SHEETS

DISTRICT #: METRO
 IPLOT NAME: 6282187_10-e
 PATH & FILENAME: IP_FWP-dll\36803\6282187_10.dgn
 PLOTTED/REVISED: 12/1/2009