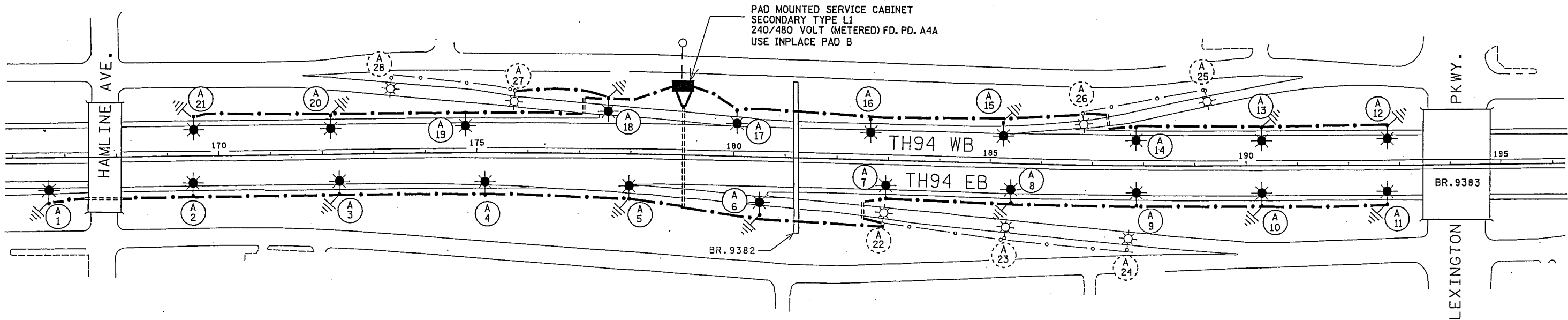
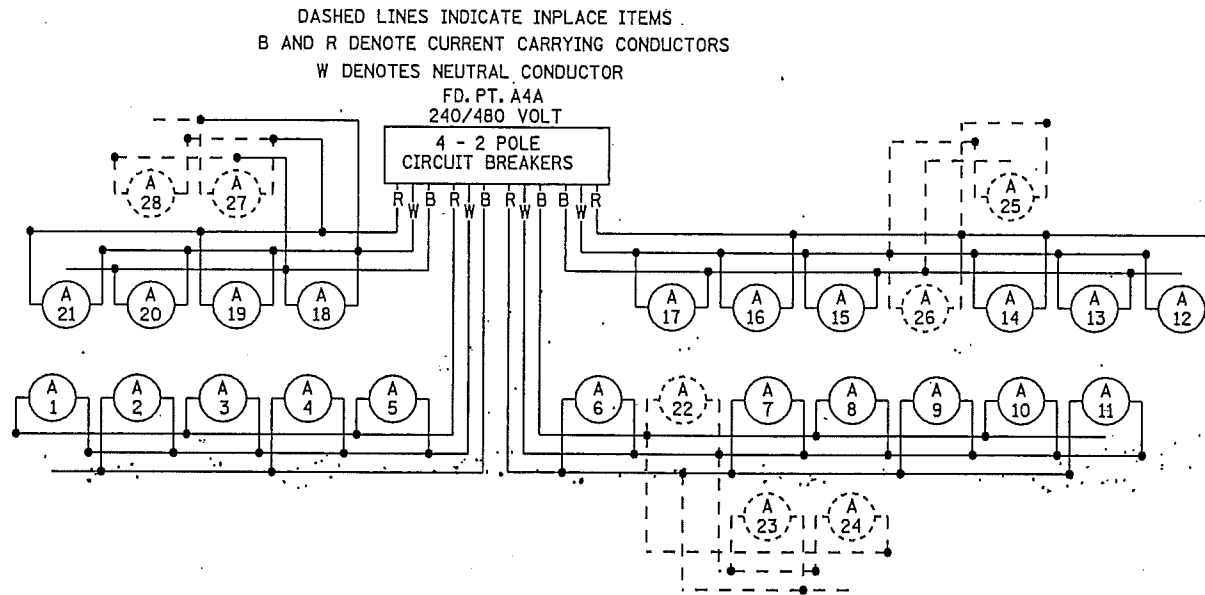


SEE LEGEND SHEET 202

FEEDPOINT A4A

LIGHTING STANDARDS AND BASES						
NO.	STA.	ALI	LT.	RT.	LOCATION	TYPE WATTAGE
1	166+70	MED TH94			TH94EB	9-49 400
2	169+50					
3	172+30					
4	175+15					
5	177+95					
6	180+50					
7	182+95					
8	185+40					
9	187+85					
10	190+30					
11	192+75				TH94EB	
12	192+75				TH94WB	
13	190+30					
14	187+85					
15	185+25					
16	182+65					
17	180+05					
18	177+55					
19	174+80					
20	172+15					
21	169+50	MED TH94			TH94WB	9-49 400
22	INPLACE	AS SHOWN			SW EXIT RAMP	9-40 250
23					to	
24					LEXINGTON	
25					NE ENTRANCE RAMP	
26					from LEXINGTON	
27					NE EXIT RAMP	
28	INPLACE	AS SHOWN			to HAMLINE	9-40 250

① RENUMBER INPLACE POLES - F&I 250 WHPS LUMINAIRE



FEEDPOINT A4A

LIGHTING PLAN

BY	DATE	REVISIONS	SYSTEM ID: FEEDPOINT: A4A T.E. LOCATION: TH94 1100' EAST OF HAMLINE AVE.
			METER ADDRESS: 1237 St. ANTHONY AVE. St. PAUL 55104
DRAWN BY: NS	CKD BY: GB	DATE:	CERTIFIED BY: <i>Michael P. Gubensky</i> LIC. NO. 19863 DATE: 12/1/2009 STATE PROJ. NO. 6282-187 (T.H. 94) SHEET NO. 205 OF 294 SHEETS

DISTRICT #: METRO
 IPLOT NAME: 6282187_10-0
 PATH & FILENAME: c:\Project\Wise\PM_Working\Szobinc\136803\6282187_10\lft.dgn
 PLOTTED/REVISED: 12/1/2009