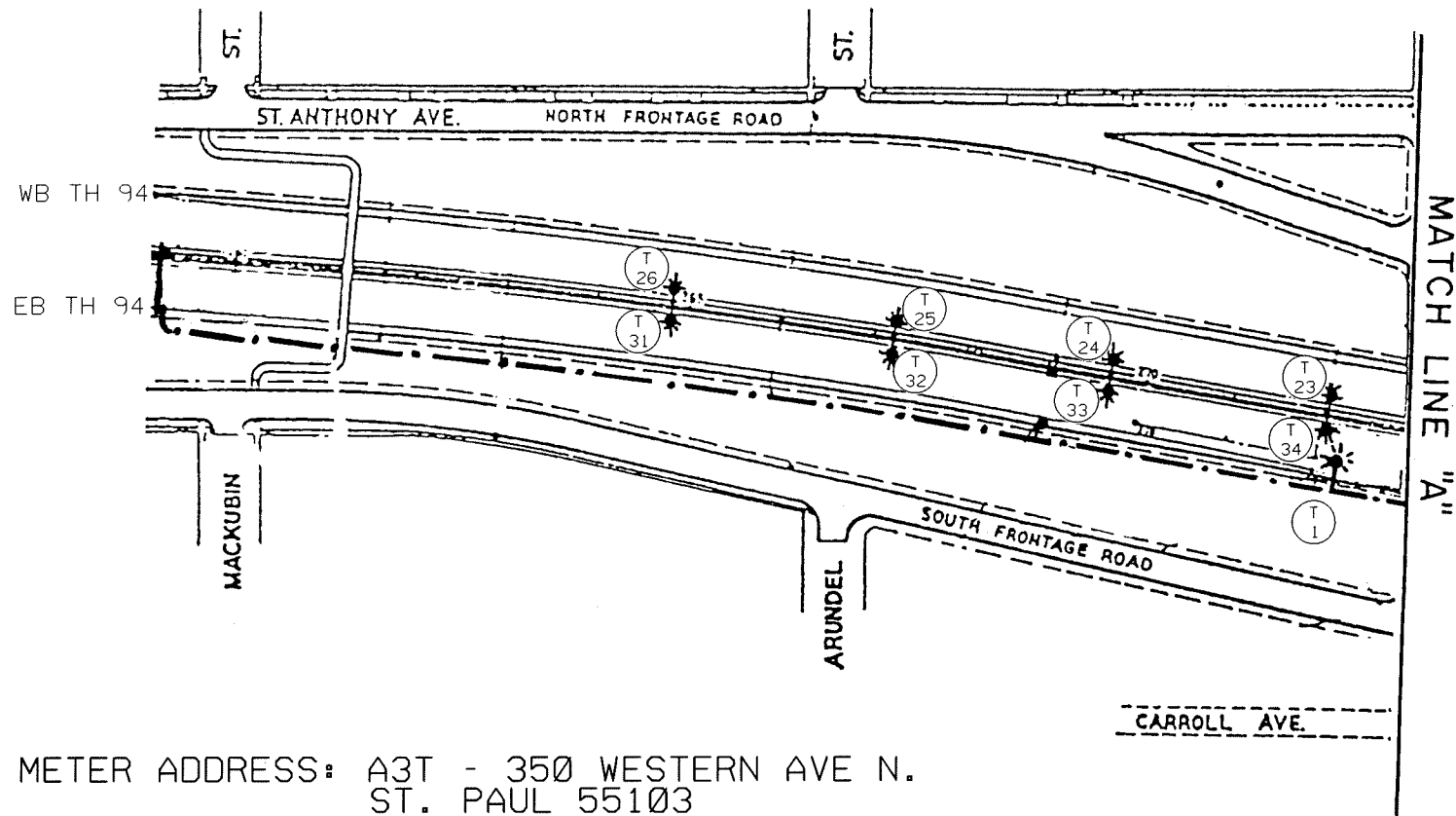


PLOTTED/REVISED# 20/2011

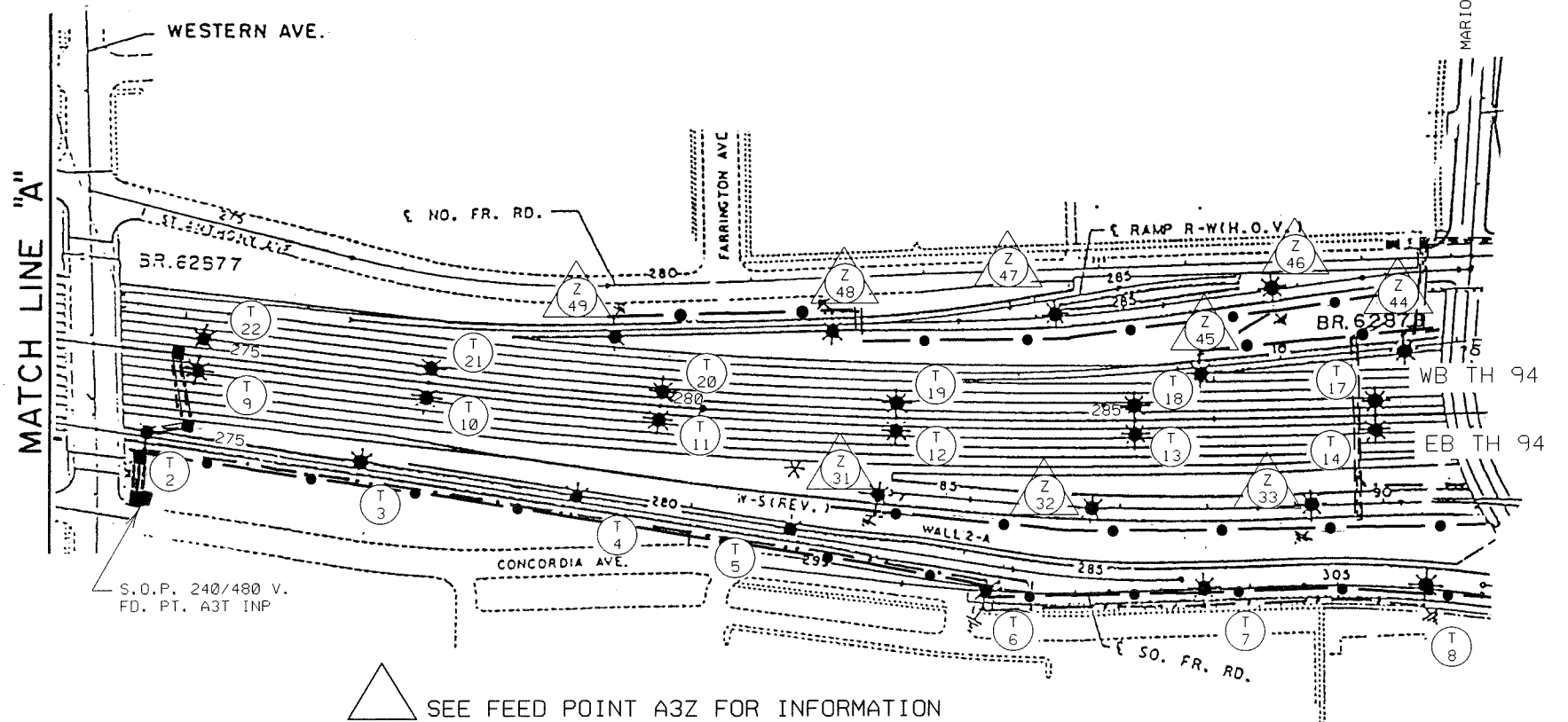
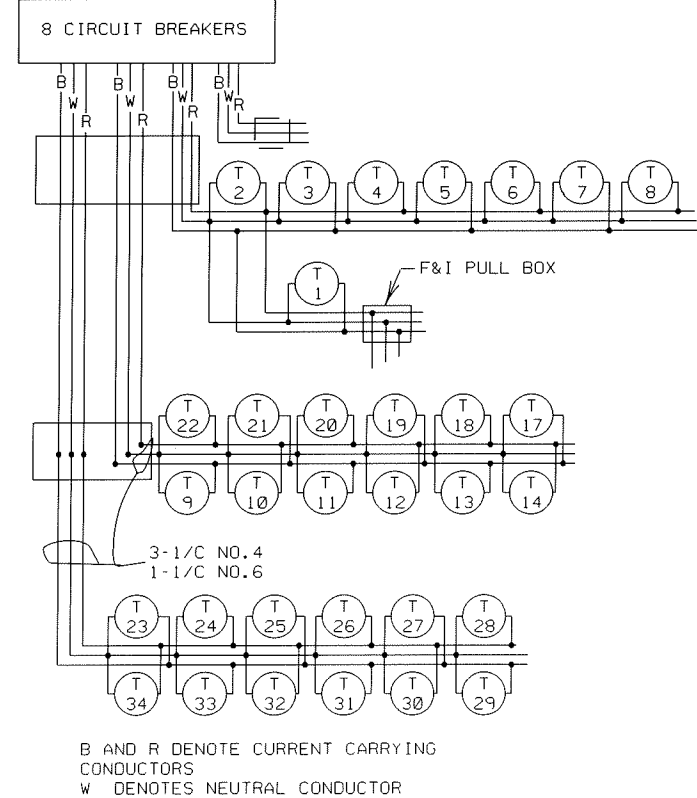


FD. PT. A3T, 240/480 V.

LIGHTING STANDARDS & BASES						
NO.	STATION	LT.	RT.	LOCATION	TYPE	WATTS
1	271+40			RAMP 2A	9-40	200
2	274+00			RAMP 2A	6-40	200
3	275+50			RAMP 2A	6-40	200
4	279+00			RAMP 2A	6-40	200
5	281+50			RAMP 2A	6-40	200
6	301+00			SO. FR. RD	6-40	200
7	303+50			SO. FR. RD	6-40	200
8	306+00			SO. FR. RD	6-40	200
9						
22	274+50			TH 94 MED	680-49	400
10						
21	277+10			TH 94 MED	680-49	400
11						
20	279+80			TH 94 MED	680-49	400
12						
19	282+50			TH 94 MED	680-49	400
13						
18	285+15			TH 94 MED	680-49	400
14						
17	287+80			TH 94 MED	680-49	400
26						
31	264+80			TH 94	680-49	400
25						
32	267+20			TH 94	680-49	400
24						
33	269+60			TH 94	680-49	400
23						
34	272+05			TH 94	680-49	400

METER ADDRESS: A3T - 350 WESTERN AVE N.  
ST. PAUL 55103

FD. PT. A3T, 240/480 V.



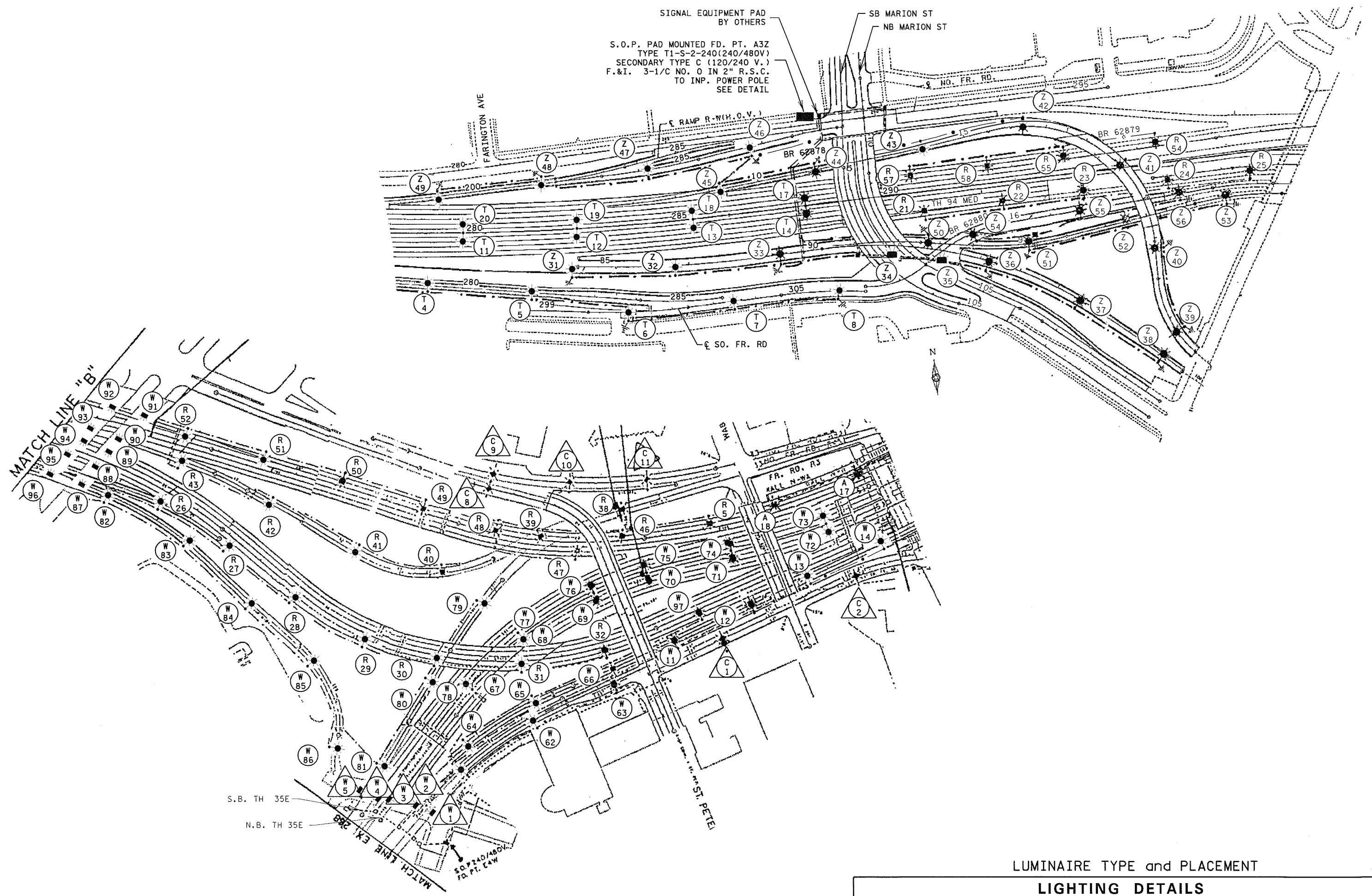
AS-BUILT 4/2011

TH 94, BETWEEN MACKUBIN ST & MARION ST  
FEEDPOINT A3T

PLOTTED/REVISED: 1/12/2009

DISTRICT #: METRO  
PLOT NAME: fd pt a31  
PATH & FILENAME: S:\TRAFFIC\LIGHTING\As Built Storage\fd pt a31.dgn

SIGNAL EQUIPMENT PAD  
BY OTHERS  
S.O.P. PAD MOUNTED FD. PT. A3Z  
TYPE T1-S-2-240(240/480V)  
SECONDARY TYPE C (120/240 V.)  
F.&I. 3-1/2 IN 2" R.S.C.  
TO INP. POWER POLE  
SEE DETAIL



LUMINAIRE TYPE and PLACEMENT

**LIGHTING DETAILS**

DRAWN BY: NS

CHECKED BY: GB

CERTIFIED BY \_\_\_\_\_

LICENSED PROFESSIONAL ENGINEER

LIC. NO. 26429

DATE 1/12/2009

STATE PROJ. NO. \_\_\_\_\_

(T.H. ) SHEET NO. 3 OF 8 SHEETS